

LED

LIGHTING & CONTROLS BUYERS' GUIDE

COLUMBIA LIGHTING

ALERA LIGHTING

PRESCOLITE

HUBBELL BUILDING AUTOMATION

HUBBELL INDUSTRIAL LIGHTING

HUBBELL OUTDOOR LIGHTING

SPAULDING LIGHTING

STERNER LIGHTING

DEVINE LIGHTING

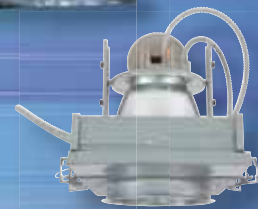
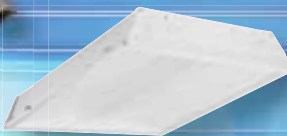
KIM LIGHTING

ARCHITECTURAL AREA LIGHTING

BEACON PRODUCTS

DUAL-LITE

COMPASS PRODUCTS



HUBBELL
Lighting

INNOVATION



ON

Leadership In Innovation

A Legacy of Innovation

Making the ordinary extraordinary for over 125 years is how Hubbell Lighting continues to provide the marketplace with reliable innovation. Performance, quality and ease of use culminate in solutions that save energy and deliver proven return on investment regardless of the application.

Hubbell Lighting's investment in solid-state lighting and energy saving controls is helping create the next generation of leading edge lighting products that will help users save money, reduce maintenance costs and improve our environment while never losing sight of the understanding as to how lighting is used by our customers. We'll never sacrifice quality and we'll leverage our lighting experience to assure that ease of use, trouble free performance and beautiful illumination remain hallmarks of our offering.

In only three years, Hubbell Lighting managed to earn more than 90 awards and recognitions for excellence, performance and presentation. In the last five years, the IES Progress Report called our name more than any other luminaire manufacturer's. This year alone, we received 10 Architectural Solid-State Lighting Product Innovation awards. For Hubbell Lighting, innovative excellence is a way of life, a character trait that you can take to the bank.

- Alera Lighting
- Architectural Area Lighting
- Beacon Products
- Columbia Lighting
- Compass Products
- Devine Lighting
- Dual-Lite
- Hubbell Building Automation

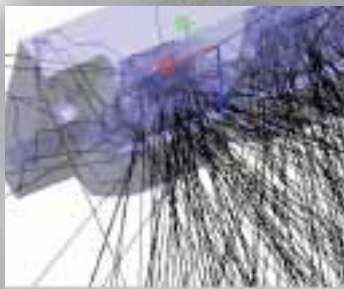
- Hubbell Industrial Lighting
- Hubbell Outdoor Lighting
- Kim Lighting
- Kurt Versen
- Prescolite
- Spaulding Lighting
- Sportsliter Solutions
- Sterner Lighting



CONTROL

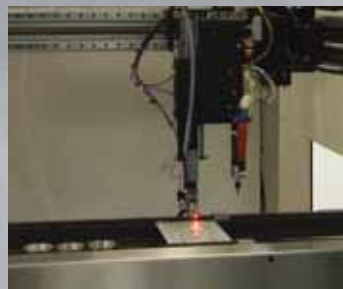
Thoughtful Design - End to End Control

Our integrated approach to solid-state lighting design is supported by a world class team of mechanical, electrical and optical engineers working in harmony with our NVLAP certified solid-state laboratories to maximize luminaire efficiencies and minimize field maintenance assuring dependable performance and value.



Research and Design

Hubbell Lighting engineers leverage SSL expertise with real life application knowledge to assure that form, performance, reliability and ease of future maintenance work together seamlessly to provide an exceptional user experience.



End-to-End Manufacturing

With a deep investment in SMT assembly, COB and manufacturing technologies, we optimize LED system intelligence, form and performance for our luminaires while tightly controlling the manufacturing process to assure consistency.



High Performance Power Supplies

We vertically integrate LED power supply development and apply Hubbell Lighting solutions across our luminaire offerings to improve quality control and life performance in application.

Assuring the highest quality and value, Hubbell Lighting has the capability to internally develop and manufacture virtually every element of the LED luminaire short of the actual discrete LED, where we select only the highest quality LEDs among the top component suppliers in the industry.



Leading Edge Optics

Our custom designed optical solutions are developed to precisely control LED illumination and provide powerful consistent task efficiency while minimizing glare and optimizing uniformity.



Thermal Optimization

The maintenance benefits provided by LED technology are predicated on driving heat away from LED and power supply components. Through the use of advanced materials and computational fluid dynamics (CFD) modeling, Hubbell Lighting continues to break the boundaries of light output and luminaire life.



Quality

Our NVLAP certified labs validate design performance and subject new products to robust reliability testing prior to release. They establish the benchmarks of quality control that our operations teams use in manufacturing. Every Hubbell Lighting SSL luminaire is tested in manufacturing and goes through a dedicated burn-in process that has resulted in miniscule defect rates that support years of trouble-free operation.

ADVANTAGE

The Hubbell Advantage

Stay on the leading edge of technology by selecting from Hubbell Lighting's portfolio of solid-state lighting products.

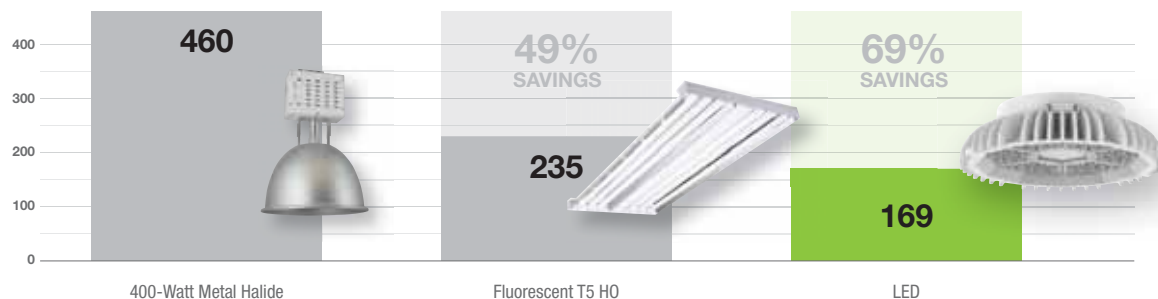
Complete Solutions

From beautiful commercial environments to complex industrial applications, Hubbell Lighting provides high performance solutions across virtually every industry application.



Energy Savings






By optimizing the LED, optics, drivers and controls into integrated fixture configurations, Hubbell Lighting has broken the technology barriers to create cost effective, high performance LED luminaires that can save up to 70% in applications, replacing less efficient technologies such as HID or fluorescent.



AGES

Reducing Maintenance

Energy savings is only part of the story. New Solid-state LED solutions from Hubbell Lighting last up to 3 times longer than Metal Halide or Fluorescent sources and up to 60 times longer than incandescent sources, dramatically reducing maintenance costs.

	LAMP TYPE	LIFE IN HOURS	REQUIRED RELAMPS vs. LED
	Incandescent	1,000	60
	Compact Fluorescent	10,000	6
	Metal Halide	20,000	3
	Linear Fluorescent	20,000	3
	LED	60,000	0

Control In Application

Hubbell LED solutions provide instant restrike performance, that when combined with factory integrated Hubbell controls, reduce energy usage by as much as 80% in application. It's another innovative way we help meet fast evolving codes and standards.



Easy Install, Easy Maintenance

Hubbell LED luminaires are designed with installation and maintenance ease in mind. Our products offer easy access to electrical components that will reduce installation time and costs while making maintenance quick and efficient.



Electronic Tracking

In the fast evolving LED space, component performance upgrades are ongoing. To provide best in class field support, we're integrating electronic tagging technology across our product lines giving us a record of all the spec details of your luminaire. Years after installation a quick scan will reveal all of the critical specification details our teams will need to provide superior service and support.



Environmentally Friendly

With no mercury, like HID or fluorescent technologies, Hubbell Lighting LED luminaires require no lamp recycling and dramatically reduce CO2 emissions when replacing legacy technologies.

Rebate Program Approved

Utility rebate programs, where available usually require products to be Design Lights Consortium or Energy Star qualified. Hubbell Lighting maintains one of the more extensive collections of DLC and Energy Star qualified products available to reduced project costs and quicken payback. For a complete listing, visit hubbellighting.com/solutions/retrofit/



STANDARD

LED Standards: Testing Performance for Reliability and Quality

Every LED luminaire produced by Hubbell Lighting is subjected to a rigorous design and evaluation process, supported by industry standards to ensure our products perform as promised. When you order solid-state luminaires from us, you can be confident that they're safe, reliable and will produce years of excellent light quality. We've put together a brief overview of the industry standards to design and produce the products which bear the Hubbell Lighting name:

IESNA LM-80-08: It starts with the LED. LM-80 is the Illuminating Engineering Society of North America (IESNA) approved standard for measuring lumen maintenance of LED light sources. LM-80 provides the framework for the reliable measurement of lumen maintenance and color-point stability of LEDs, at the component level. Testing under LM-80 is typically conducted for several thousand hours (ex: 6,000-10,000 hours), the results of which are further evaluated under IES TM-21-11 to provide insights into lumen maintenance under operating conditions within the luminaire.

IESNA TM-21-11: Utilizing data collected under LM-80, TM-21 is the Illuminating Engineering Society of North America (IESNA) approved standard for projecting long-term lumen maintenance of LED light sources. The results of this standard provides the framework under which Hubbell Lighting reports LED source lifetime. Under this standard, the LED drive current and LED operating temperatures are utilized along with a corresponding LM-80 data set to calculate the expect LED lumen depreciation and lifetime.

IESNA LM-82-12: LED Light engines are evaluated under LM-82, which is the Illuminating Engineering Society of North America (IESNA) approved method for determining photometric properties as a function of temperature for LED light engines and integral lamps.

IESNA LM-79-08: Historically the lighting industry has used relative photometry to evaluate the photometric performance of luminaires. Since the light emitted from an LED luminaire is a function of a number of variables, some of which include the operating temperature and drive current of the LEDs, an absolute testing standard, which provides configuration-specific performance, is utilized. LM-79 is the Illuminating Engineering Society of North America (IESNA) approved method, which describes the procedures and precautions for performing reproducible measurements of total luminous flux, electrical power, luminous intensity distribution and chromaticity of solid-state lighting (SSL) products for illumination purposes under standard conditions.

In Situ Temperature Measurement Test (ISTMT): In Situ Temperature Measurement Tests are used to measure the operational temperatures of luminaire components (LEDs, optical materials, power supplies, etc.), under the range of ambient temperatures the product is rated for. These measurements are utilized in conjunction with other test standards (LM-8-, TM-21) to determine the expected luminaire, and component, lifetime under operating conditions.



LED

Understanding LED Technology

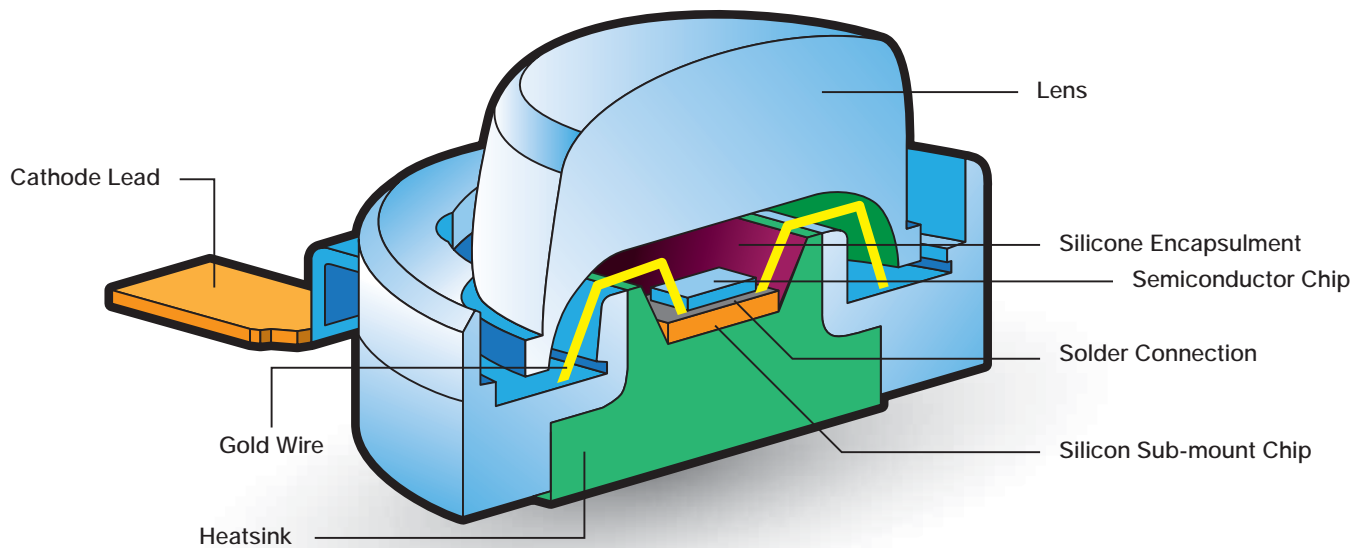
The market continues to evolve along with solid-state (SSL) technology. What was once only a bright idea for low-power applications is now revolutionizing the entire lighting industry. For efficiency, striking illumination and low cost of ownership turn to Hubbell Lighting's broad offering of LED luminaires. Yes, LED technology is coming soon to an application near you.

LED luminaires use light emitting diodes to produce light more efficiently than other white-light sources. The movement of electrons through a semiconductor material produces photons as electrons and holes combine. LEDs generate less heat than legacy sources, but the heat that is produced must be managed and drawn away from the LED through a heat sink to maximize efficacy and lifetime.

A light emitting diode or LED light in its simplest form is comprised of two semiconductor materials. When a voltage potential is applied between these materials, blue light is produced and is converted to a full-spectrum white light source through a phosphor layer.

LED lighting is fundamentally different from conventional light sources such as incandescent, fluorescent, and gas-discharge lamps. An LED uses no mercury, no lead, no gas or filament, it has no fragile glass components and it has no failure-prone moving parts.

By addressing the unique properties and requirements of LED technology, Hubbell Lighting continues to unlock the value of LED and the promise of efficiency, reliability and sustainability.



AMBIENT INDOOR

Columbia
LIGHTING

1-15

ARCHITECTURAL AMBIENT
INDOOR

ALERA
LIGHTING

16-21

ARCHITECTURAL DOWNLIGHTS
PENDANTS & TRACK

prescolite

22-61

LIGHTING CONTROLS

HUBBELL® HUBBELL®
Building Automation

62-89

INDUSTRIAL/EXTREME

HUBBELL® HUBBELL®
Industrial Lighting

90-99

OUTDOOR

HUBBELL® HUBBELL®
Outdoor Lighting SPAULDING
LIGHTING

100-159

EXTRUDED SITE AND
PRECISION FLOODLIGHTING

STERNER™
LIGHTING SYSTEMS INC.

160-161

ARCHITECTURAL, STEP LIGHTS
& SURFACE MOUNT

DEVINE™
LIGHTING

162-163

ARCHITECTURAL OUTDOOR

KIM LIGHTING

164-205

ARCHITECTURAL OUTDOOR

architectural
arealighting

206-227

ARCHITECTURAL OUTDOOR

BEACON
design . performance . technology

228-267

LIFE SAFETY

DUAL LITE COMPASS™
Products by Hubbell Lighting, Inc.

268-287

Brand Introduction 1 **Table of Contents** 2-3

LED RECESSED ARCHITECTURAL

LEPC e•poc® LED Full Distribution Luminaire 4 **LTRE**
Transition® Enclosed LED High Efficiency Architectural Lensed 6

LSER Serrano® LED Architectural Luminaire 5

LED LENSED TROFFERS

LLT LED Lensed Troffer 7 **LJT** LED Troffer 8

LED WRAPS

LAW Low Profile LED Wraparound 9 **LRO** LED Corridor Wraparound 11

LPT Premium LED Corridor Wraparound 10 **LWC** Specification Grade LED Wraparound 12

LED STRIPLIGHTS

LCS LED Striplight 13

LED INDUSTRIALS

LLHV LED Versabay® High Bay 14 **LLHP** LED Linear High Bay Premium 15

LXEM LED Extreme Enclosed and Gasketed 14

Brand Introduction 16-17 **Table of Contents** 18-19

LED RECESSED ARCHITECTURAL

LM6R Micro6 LED 20 **Application Photos** 21

LED Introduction 22-23 **Ceiling Height Crossover** 26-27

ARCHITECTURAL

Introduction 28 **LF4SQLED** 4" LiteFrame Square LED Downlight 34

D2LED 2" LED Downlight 29 **LF6SQLED** 8" LiteFrame Square LED Downlight 35

A2LED 2" LED Adjustable 30 **MD8LED** 8" High Lumen LED Downlight 36

LF4LED 4" LiteFrame LED Downlight 31 **Integral Emergency/Dimming** 37

LF6LED 6" LiteFrame LED Downlight 32 **Decorative Trims** 38-39

LF8LED 8" LiteFrame LED Downlight 33

COMMERCIAL

Introduction	40	LC6LED 6" LiteFrame Commercial LED Downlight	41
---------------------------	----	---	----

LIGHT COMMERCIAL

Introduction	42	BX4QL/IBX4QL/RMN4QL 120 4" LED QuickLink	45
FT6QLIC/LB6LEDA 6" FireTight LED QuickLink	43	LB6LEDA 6" LED Trims	46
LB4LEDA 4" LED Trims	44	DBXQL 6" LED QuickLink	47

RETROFIT

Introduction	48	LC6LED 6" LiteFrame Commercial LED Downlight	41
---------------------------	----	---	----

CYLINDERS, STEPLIGHTS, & TRACK

Introduction	52	93 LED Recessed High-Output Steplight LED	57
LED Cylinders 4" & 6" LED Cylinders	53	AKT6LED LED Track Head	58
Pendulum LED Pendant LED Series	54	AKTSLED LED Track Head	59
LBC6 6" LED Cylinder	55	System Components Track Accessories for Architrak®	60
SLLED LED Steplights	56		

LIGHTING CONTROLS



Introduction and Table of Content	63
--	----

WIHUBB WIRELESS LIGHTING CONTROLS

wiHUBB Wireless Lighting Controls System Introduction	65	WIH-SP wiHUBB Smart Pack	72
wiHUBB Wireless Lighting Controls Quick Reference Guide	68	WIH-SW wiHUBB Switches	73
WIH-AP wiHUBB Access Point	69	WIH-OS wiHUBB Occupancy Sensors	74
WIH-OM wiHUBB On-Fixture Module	70	WIH-DS wiHUBB Daylight Sensor	75
WIH-IM wiHUBB In-Fixture Module	71		

WASP2 DIMMING OUTDOOR OCCUPANCY SENSOR

WASP2 Dimming Product Introduction	76	WSP WASP2 Dimming Outdoor Occupancy Sensor	63
---	----	---	----

CXDIMMING LIGHTING CONTROL PANELS

System Introduction and Quick Reference Guide	79	CXR CX Relays Dimming Card	81
CX CX Dimming Lighting Control Panels	80		

ZONE5 DAYLIGHTING HARVESTING CONTROLS

System Introduction and Quick Reference Guide	83	Z5-OS Zone5 Occupancy Sensors	86
Z5-CM Zone5 Daylighting Control Module	84	Z5-DS Zone5 Switch Stations	87
Z5-DS Zone5 Daylight Sensor	85		

OTHER LED CONTROL OPTIONS

Occupancy/Vacancy Sensors, LX Networked Lighting Controls	89
--	----



HBL HBL Series	91	LUN LunaBay Series	96
HBLH HBLH Series	92	HLEML HLEML Series	97
HBLHA HBLHA Series	93	VL LED Vaportite Series	98
KSL KEMLUX III LED SERIES	94	DOK Dokstar	99
LWL Lightwatt LED Series	95		



LED Products Guide	104	SCP Controls Guide Sedona luminaire with passive infrared motion sensor control option	127
Floodlighting and Building Mount Selection Guides	105	RM LED Roadway RM30 Series	128
FSL Decorative Floodlights	106	RL LED Roadway RL60 Series	129
FML Decorative Floodlights	107	VBBG/VWGG Wet Location Vaportites	130
MHS Miniliter® Series Floodlights	108	DDL Multipurpose Dusk-to-Dawn Luminaire	131
MLED Magnuliter Floodlights	109	TL-XX Tulip, 12V LED Lightscaper® System	132-133
LFS Laramie compact decorative Flood	110	CO-XX Cone, 12V LED Lightscaper® System	132-133
ALF Architectural Architectural Floodlight/Wall Mount	111	GN-XX Greenville, 12V LED Lightscaper® System	132-133
309 LED Lampholder	112	MS-XX Mission, 12V LED Lightscaper® System	132-133
Photocontrols Photocontrols - Button, thread and twist lock	113	SA-XX Saturn, 12V LED Lightscaper® System	132-133
Mounting Accessories Trunnion, wall, pole, bullhorns and brackets	114-115	RD-XX Reidville, 12V LED Lightscaper® System	132-133
LNC Laredo LNC Compact Wallpacks	116	SS-XX Seashell, 12V LED Lightscaper® System	132-133
LNC2 Laredo LNC2 Compact Wallpacks	117	EL-XX Eylid, 12V LED Lightscaper® System	132-133
LCC Laredo LCC Compact Wallpack	118	RE-XX Recessed, 12V LED Lightscaper® System	132-133
LMC Laredo LMC Medium Wallpack	119	FL-XX Flood, 12V LED Lightscaper® System	132-133
QSPC/TRPC/RDIC Compact Architectural Sconces	120	LVT56 Transformer, 12V LED Lightscaper® System	132-133
TRP/QSP/TRP/RDI Architectural Wallpacks	121	CB-XX Cable, 12V LED Lightscaper® System	132-133
NRG@312 Perimaliter® Wallpack	122	Solar Lighting Hubbell Outdoor & Spaulding Solar Lighting	134
PGM3/PVL3 Perimaliter® Glass and Polycarbonate Wallpacks	123	LCC Solar Laredo LCC Solar	135
BRLU Eurolux® Decorative Wall/Ceiling Series	124	BRLD Solar Eurolux® Solar	135
HVS Hercules® Decorative Vandal Resistant Luminaires	124	LFS Solar Compact Solar Flood	136
NRG® 4000 Lumasquare® II High Performance Indoor/Outdoor Lowbay Series	125	RMCT Solar Roadway Solar	137
SCP Sedona – Surface/Ceiling/Garage Luminaire	126	CR1D Solar Cimarron Solar	138
		TMR/TMS Solar Solar Bollards	139



LED Area/site Design Guide	144-147	VA Vandalia	153
CL1S Cimarron CL1S Pedestrian Scale Series	148-149	TMR/TMS Tempe Round and Square Bollards	154
CL1 Cimarron CL1	150-151	FN1/FN2 Fresno Round and Square Bollards	155
BC Backlight Control	151	BOLR/BOLS LED Round and Square Retrofit Kit	156
PT Peachtree	152	Mounting Accessories Cimarron CL1S and CL1 Accessories	157
PTR Peachtree Retrofit Module	152	Poles Poles Selection Guide	158-159

EXEC RT21/RT25 Executive Series	161	EXPD Executive Series LED Retrofit Power Door	161
--	-----	--	-----

ARCHITECTURAL, STEP LIGHTS SURFACE MOUNT & CYLINDERS



LMS100 LMS 100 Series Rectangular Steplight	163	LMS400 LMS 400 Series Circular Steplight	163
--	-----	---	-----

ARCHITECTURAL OUTDOOR



SITE / ROADWAY

ALT Altitude™	168	LE Era® Lantern	175
WP9 WARP9®	169	CC/CCS Curvilinear	176
AR/SAR The Archetype®	170	MX Matrix	178
SRS1 Solitaire®	171	SET/ET The Entablature®	179
BNS1/BNM Bounce/MiniBounce	172	STS/STL Structural	180
RA Era®	173	SOLAR Solar Powered Lighting	181
AE/BE Era® Acorn/Era® Bell	174		

PARKING STRUCTURE

PGL7 LED Parking Garage Luminaires	182
---	-----

ARCHITECTURAL FLOODLIGHTS

CFL Compact Floodlights	183
--	-----

WALL MOUNTED

WF Wall Forms®	184	WD Wall Director®	186
SW Site Wallforms®	185		

LOW LEVEL

GEM GEM® Bollard	187	VRB/VSB Vandal Resistant Bollards	190
BNB Bounce Bollard	188	CB Compact Bollard	191
LE Era® Lantern Bollard	189	SL Site Lightforms	192

IN-GRADE

LTV Lightvault® 8	193
------------------------------------	-----

LANDSCAPE

12V/120V Landscape	199
-------------------------------------	-----



ARCHITECTURAL OUTDOOR

PERIOD

PKWS/PKWM/PKWB	PROS/PRSC/PROB Providence® Small/Sconce/Bollard	210
Parkway Square™ Small/Medium/Bollard	PRMN/PRMS/PRMD Promenade™	211
PROL/PROV Providence® Large/Medium	FGS/FGL Federal Globe™ Small/Large	212
		208
		209

CONTEMPORARY

SLVT Largent™	UCS/UCB Universe® Small/Bollard	213	217
INDA/INDF/INDC Indirect™	FH Flex™	214	218
SP1/SP2/SPB Spectra™ Large/Small/Bollard	FM miniFlex™	215	219
UCM/UCL Universe® Medium/Large		216	

WALL SCONCES

ES/ME eSconce®/mini-eSconce	220
--	-----

STEPLIGHTS

ASL7/ASL10 Steplights Small/Large	221
--	-----

FLOODLIGHTS

ON/OS Oculus®	222
--------------------------------	-----

BOLLARDS

FCB5 Fair Oak™ Bollard	CB9/CB12/CB16/CB18	223	Concrete Bollard 9", 12", 16", 18" Round/Square	225
TRD/TSQ Traditional Concrete Bollard		224		

POLES, ARMS, ACCESSORIES

Premium Poles	Arms/Accessories	226	227
--------------------------------	-----------------------------------	-----	-----

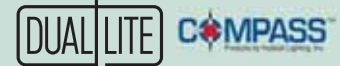


ARCHITECTURAL OUTDOOR

Intro Picture	Traverse Wall	228	241
Into Text	Endura	229	242
App Picture	Aurora Garage/Canopy	230	243
Index	Ceileo	231	244
Small Viper	Slide	232	245
Large Viper	Seti	233	246
Genesis Site/Roadway	Mediterranean	234	247
Cruzer	London Decorative	235	248
Urban Small	Brighton	236	249
Urban Large	Monaco	237	250
Alpha Floodlight	Park Lane	238	251
Cadet Floodlight Floodlighting	La Jolla	239	252
FL-1	Windsor	240	253

Waterford254	LRK-3D261
Tivoli255	LC5262
Traditional256	Metro Bollards263
Bostonian257	Bristol Park264
Pierwalk258	Longitude Handrail265
Magna259	Poles266
LRK-2V260	Arms267

LIFE SAFETY



EV EV Series269	PG PG Series274
EVC EVC Series270	LE LE Series275
EVE EVE Series271	UFO-LED25 UFO-LED276
EVO EVO Series272	LG LG - LiteGear277
PGN PGN Series273		

COMPASS EMERGENCY LIGHTING

Compass278	CELS1RNE CELS1RNE Series283
Compass Emergency Lights279	CELS1GNE CELS1GNE Series283
CU2WG CU2WG Series279	CELR2RNE CELR2RNE Series283
CU2WB CU2WB Series279	CELR2GNE CELR2GNE Series283
CU2RC CU2RC Series280	CELR1RNE CELR1RNE Series283
CU2 CU2 Series280	CELR1GNE CELR1GNE Series283
Compass Remotes281	CEGRC CEGRC Series286
CORS CORS Series281	CEG CEG Series286
CORD CORD Series281	CCRRC CRRRC Series287
CIRS CIRS Series282	CCR CCR Series287
CIRD CIRD Series282	CCGRC CCGRC Series287
Compass Exits283	CCG CCG Series287
CEWSRE CEWSRE Series284	CCESRE CCESRE Series285
CEWSGE CEWSGE Series284	CCESR CCESR Series285
CEWDRE CEWDRE Series284	CCESGE CCESGE Series285
CEWDGE CEWDGE Series284	CCESG CCESG Series285
CERRC CERRC Series286	CCEDRE CCEDRE Series285
CER CER Series286	CCEDR CCEDR Series285
CELS2RNE CELS2RNE Series283	CCEDGE CCEDGE Series285
CELS2GNE CELS2GNE Series283	CCEDG CCEDG Series285



Columbia LIGHTING

BRAND PROFILE

- Founded in 1897 in Spokane, WA
- Serves the industrial, commercial, healthcare, educational, and retail markets
- Columbia offers a wide array of specification and commodity grade commercial and industrial LED lighting products







LEPC	4
LSER	5
LTRE	6
LLT	7
LJT	8
LAW	9
LPT	10
LRO	11
LWC	12
LCS	13
LLHV/LXEM	14
LLHP	15

LEPC

e•poc® LED Full Distribution Luminaire with Advanced Solid State Technology



LED RECESSED ARCHITECTURAL

LED



wiHUBB
createchange



FEATURES

- High-performance LED luminaire
- Long-life, 50,000 hour LEDs at L90 (90% lumen maintenance) reduce life cycle maintenance costs
- DesignLights Consortium® qualified; see www.designlights.org
- Superior color consistency to a 3-step MacAdam ellipse and 82 CRI
- Full distribution provides controlled high angle light for visual comfort
- Lens design and materials provide uniform appearance without pixilation
- Unique frameless optical system and modular electrical system allow for easy LED module or driver replacement from below the ceiling
- Most configurations produce low W/ft² to meet the most restrictive lighting power density codes
- Available with exclusive wiHUBB technology preinstalled
- Five year warranty (Terms and Conditions Apply)
- U.S. Transformed

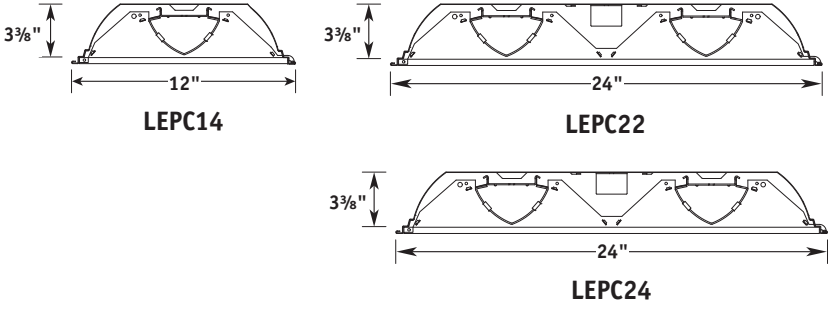
ORDERING INFORMATION

LEPC					LL			U		
MODEL	COLOR TEMP	CEILING TYPE	SHIELDING	AIR FUNCTION	DRIVER	OPTIONS				
LEPC e•poc® LED Full Distribution Luminaire	30 3000K 35 3500K 40 4000K	G Grid ¹ SM Surface Mount CM Cable Mount ²	LL Low Lamp Image	Blank Static A Air Return Side Slots (N/A 1 x 4)	ESD Fixed Output/Step Dimming ³ ED 0-10V Dimming	C388 3-Wire Flex C488 4-Wire Flex C588 5-Wire Flex EL Emergency Battery Pack ^{4,5} (only available for 60 hz) GLR Fast Blow Fuse NYC NYC Compliant NYCU NYC Compliant, Union Label WIH wiHUBB Enabled ^{6,7} EOR End of Row (SM/CM only) ^{7,8} INT Intermediate (SM/CM only) ^{7,8}				
SIZE	LUMEN OUTPUT									
14 1' x 4'	LW Low Watt									
22 2' x 2'	HL High Lumen									
24 2' x 4'	See Product Availability Table below.									
VOLTAGE										
U 120V-277V										

ACCESSORIES (ORDER SEPARATELY)

FK14	1' x 4' Single Flange Kit
FK22	2' x 2' Single Flange Kit
FK24	2' x 4' Single Flange Kit
FKCR	Flange Kit Row Adaptor
CM48Y1SC3F-KIT	43" Cable Mount Kit for 1' wide CM ceiling type, 3 Wire Feed Cord
CM48Y2SC3F-KIT	43" Cable Mount Kit for 2' wide CM ceiling type, 3 Wire Feed Cord

¹ For drywall, order G with Flange Kit Accessory.
² Order hanger accessories separately.
³ Can be converted to fixed output by tying hot leads together.
⁴ For compatibility with Dual-Lite LiteGear® inverters in lieu of installed Battery Pack, contact Hubbell Lighting Representative.
⁵ Not available with 2x2 SM or CM ceiling type.
⁶ In-Fixture Module Antenna adds 2" to overall fixture height at power feed location.
⁷ Not available with Surface Mount ceiling types.
⁸ Provides ends with wiring access for continuous row mounting.
 Damp Label - standard



PRODUCT AVAILABILITY

SIZE	LUMEN PACKAGE	NOMINAL LUMENS (3500K)	NOMINAL WATTS
14	LW	2300	23
	HL	3700	38
22	LW	2400	23
	HL	3800	38
24	LW	4400	41
	HL	6600	67

For exact lumens and watts see specific photometric test(s)



Serrano® LED Architectural Luminaire with Advanced Solid State Technology

LED RECESSED ARCHITECTURAL

FEATURES

- High efficacy, sustainable LED design
- Long-life, 50,000 hour LEDs at L80 reduce life cycle maintenance costs
- Four lumen packages for design flexibility
- Three LED color choices
- Superior color consistency within a 3-step MacAdam ellipse and greater than 80 CRI
- Lens design and materials provide uniform appearance without pixilation
- Hinged optical system allows easy access to LED boards and drivers from below
- Two optional lens aesthetics
- Architecturally enhanced triple lens design
- Lenses interlock for structural integrity
- 2x2, 2x4, or 1x4
- Recessed, Surface, or Cable Mount
- Most configurations produce low W/ft² to meet the most restrictive lighting power density codes
- For DLC Qualification please refer to www.designlights.org
- Available with exclusive wiHUBB technology preinstalled
- Five year warranty (Terms and Conditions Apply)



LED



ORDERING INFORMATION

LSER		-				-				U	-	
MODEL	COLOR TEMP	CEILING TYPE	SHIELDING	DRIVER	VOLTAGE	OPTIONS						
LSER Serrano® LED Architectural Luminaire	30 3000K 35 3500K 40 4000K	G Grid ¹ SM Surface Mount CM Cable Mount ²	C Contour R Rail	E Fixed Output ESD Fixed Output/Step Dimming ³ ED 0-10V Dimming	U 120V-277V	C388 3-Wire Flex ELL14 Emergency Battery Pack, 1400 Lumens ^{4,5} GLR Fast Blow Fuse NYC NYC Compliant G1 Single Gasket (door to housing) G2 Double Gasketing (G1 and lens to door) G3 Triple Gasketing (G2 and housing to ceiling) WIH wiHUBB Enabled ^{6,7} EOR End of Row (SM/CM only) ^{7,8} INT Intermediate (SM/CM only) ^{7,8}						
SIZE	LUMEN OUTPUT											
14 1' x 4'	LW Low Watt											
22 2' x 2'	ML Medium Lumen											
24 2' x 4'	HL High Lumen VL Very High Lumen											
See Product Availability Table below.												

ACCESSORIES (ORDER SEPARATELY)

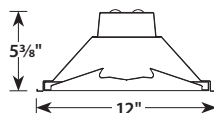
- FK14** 1' x 4' Single Flange Kit
- FK22** 2' x 2' Single Flange Kit
- FK24** 2' x 4' Single Flange Kit
- FKCR** Flange Kit Row Adaptor
- CM48Y1SC3F-KIT** 43" Cable Mount Kit for 1' wide CM ceiling type, 3 Wire Feed Cord
- CM48Y2SC3F-KIT** 43" Cable Mount Kit for 2' wide CM ceiling type, 3 Wire Feed Cord

¹ For drywall, order G with Flange Kit Accessory.
² Order hanger accessories separately.
³ Can be converted to fixed output by tying hot leads together.
⁴ For compatibility with Dual-Lite LiteGear® inverters in lieu of installed Battery Pack, contact Hubbell Lighting Representative.
⁵ Not available with 2x2 SM or CM ceiling type.
⁶ In-Fixture Module Antenna adds 2" to overall fixture height at power feed location.
⁷ Not available with Surface Mount ceiling types.
⁸ Provides ends with wiring access for continuous row mounting.

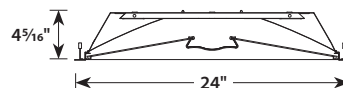
Damp Label - standard

PRODUCT AVAILABILITY

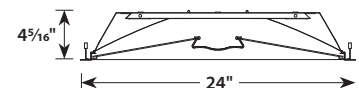
SIZE	LUMEN PACKAGE	NOMINAL LUMENS (3500K)	NOMINAL WATTS
14	LW	2600	30
	ML	3500	40
	HL	4300	51
	VL	5000	60
22	LW	2600	30
	ML	3000	35
	HL	3600	40
	VL	4300	51
24	LW	4300	51
	ML	5100	60
	HL	7000	80
	VL	7000	80



LSER14



LSER22



LSER24

For exact lumens and watts see specific photometric test(s)

LTRE

Transition® Enclosed LED High Efficiency Architectural Lensed

LED RECESSED ARCHITECTURAL

LED



FEATURES

- Enclosed high efficiency lens features linear prism acrylic for high performance without pixelation
- Appropriate for schools, medical, dining areas, locker rooms, and public spaces
- Enclosed lens resists intrusion of contaminants
- High performance matte white paint standard
- Optional antimicrobial paint (AM option) resists bacterial growth on exposed painted surfaces
- Optional lens gasket surrounds lamp cavity
- Wet Location listing available
- Long Life, 50,000 hour LEDs at L80 reduce life cycle maintenance costs
- Three color choices with excellent color consistency and 82 CRI
- LED modules and electrical accessible from below
- Quality assurance with QR code
- DesignLights Consortium® (DLC) qualified; see www.designlights.org
- Available with exclusive wiHUBB technology preinstalled
- Five year warranty (Terms and Conditions Apply)

ORDERING INFORMATION

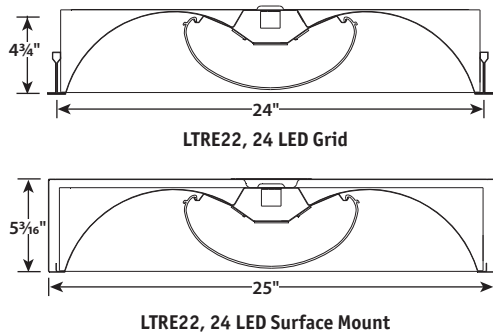
LTRE		-		-		-	RFA	-		-	U	-	
MODEL		COLOR TEMPERATURE		CEILING TYPE		DRIVER		VOLTAGE		OPTIONS			
LTRE Transition® LED Enclosed High Efficiency Architectural Lensed		30 3000K 35 3500K 40 4000K		G Grid Lay-in ¹ SM Surface Mount CM Cable/Suspended Mount ²		E Fixed Output ESD Fixed Output/Step Dimming ³ ED 0-10V Dimming		U 120V-277V		ELL14 Emergency Battery Pack, 1400 Lumens ^{4,5} C388 3-Wire Flex C488 4-Wire Flex C588 5-Wire Flex GLR Fast Blow Fuse AM Antimicrobial Paint ⁶ G1 Lens Gasketing WL Wet Label ^{7,8} NYC NYC Compliant NYCU NYC Compliant, Union Label WIH wiHUBB Enabled ^{7,8} EOR End of Row (SM and CM only. Provides end wiring access for continuous row mounting.) INT Intermediate (SM and CM only. Provides end wiring access for continuous row mounting.)			
SIZE		LUMEN OUTPUT		SHIELDING									
22 2' × 2' 24 2' × 4'		LW Low Watt ML Medium Lumen HL High Lumen VL Very High Lumen See Product Availability Table below.		RFA Ribbed Frosted Acrylic									

¹ For drywall order FK22 or FK24 accessories separately.
² Order hanger accessories separately.
³ Can be converted to fixed output by tying hot leads together.
⁴ For compatibility with Dual-Lite LiteGear® inverters, contact Hubbell Lighting Representative.
⁵ Not available on 2x2 SM or CM ceiling types.
⁶ Optional antimicrobial paint (AM option) resists bacterial growth on exposed painted surfaces.
⁷ In-Fixture Module Antenna adds 2" to overall fixture height at power feed location.
⁸ Not available on Surface Mount Ceiling Types.

For questions about configuration options, contact Hubbell Representative.

ACCESSORIES (ORDER SEPARATELY)

FK22 2' × 2' Flange Kit
FK24 2' × 4' Flange Kit
CM48Y2SC3F-KIT 48" Cable Mount Kit for 2' wide Cable Mount fixtures, 3 Wire



PRODUCT AVAILABILITY

SIZE	LUMEN PACKAGE	NOMINAL LUMENS (3500K)	NOMINAL WATTS
22	LW	2300	25
	ML	2800	30
	HL	3600	40
24	VL	4400	51
	ML	4600	52

For exact lumens and watts see specific photometric test(s)

LED Lensed Troffer with Advanced Solid State Technology

FEATURES

- Full distribution provides controlled high angle light for visual comfort
- Long-life, 50,000 hour LEDs at L80 reduce life cycle maintenance costs
- Lens design and materials provide uniform appearance without pixilation
- Choice of two lens options
- Choice of three door frame options
- Three color choices with excellent color consistency and 82 CRI
- Fixed output, step dimming, or 0-10V dimming drivers available
- Hinged optical system allows easy access to LED modules and electrical from below the ceiling
- Low W/ft² ratio typically meets the most restrictive lighting power density codes
- Typically qualifies for EPACT tax deductions
- DesignLights Consortium® (DLC) qualified; see www.designlights.org
- Available with exclusive wiHUBB technology preinstalled
- Five year warranty (Terms and Conditions Apply)



ORDERING INFORMATION

MODEL	COLOR TEMP	CEILING TYPE	SHIELDING	DRIVER	VOLTAGE	OPTIONS	
LLT LED Lensed Troffer	30 3000K 35 3500K 40 4000K	G Grid ¹ SM Surface Mount CM Cable Mount ²	A12F Pattern 12 Frosted Acrylic Lens A19F Pattern 19 Frosted Acrylic Lens .156"	E Fixed Output ESD Step Dimming ³ ED 0-10V Dimming	U 120V-277V	C388 3-Wire Flex C488 4-Wire Flex C588 5-Wire Flex ELL14 Emergency Battery Pack, 1400 Lumens ^{4,5} GLR Fast Blow Fuse NYC NYC Compliant G1 Single Gasket (Door to Housing) G2 Double Gasketing (G1 and Lens to Door) G3 Triple Gasketing (G2 and Housing to Ceiling) WIH wiHUBB ^{6,7} SLL Spring Loaded Latches EOR End of Row (SM/CM only) ⁸ INT Intermediate (SM/CM only) ⁸	
SIZE	LUMEN OUTPUT	DOOR	ACCESSORIES (ORDER SEPARATELY)				
14 1' x 4' 22 2' x 2' 24 2' x 4'	LW Low Watt ML Medium Lumen HL High Lumen VL Very High Lumen See Product Availability Table below.	FS White Flush Steel FA White Flush Aluminum RA White Regressed Aluminum	FK14 1' x 4' Single Flange Kit FK22 2' x 2' Single Flange Kit FK24 2' x 4' Single Flange Kit FKCR Flange Kit Row Adaptor CM48Y1SC3F-KIT 43" Cable Mount Kit for 1' wide CM ceiling type, 3 Wire Feed Cord CM48Y2SC3F-KIT 43" Cable Mount Kit for 2' wide CM ceiling type, 3 Wire Feed Cord				

¹ For drywall order Flange Kit accessories separately.

² Order hanger accessories separately.

³ Can be converted to fixed output by tying hot leads together.

⁴ For compatibility with Dual-Lite LiteGear® inverters, contact Hubbell Lighting Representative.

⁵ Not available on 2x2 SM or CM ceiling types.

⁶ In-Fixture Module Antenna adds 2" to overall fixture height at power feed location.

⁷ Not available on Surface Mount Ceiling Types.

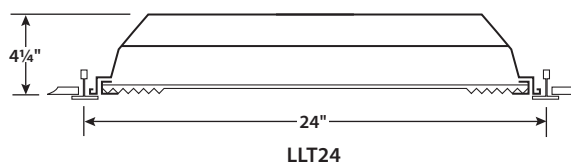
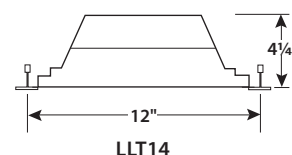
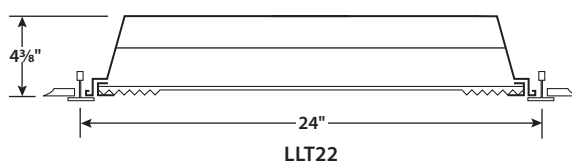
⁸ Provides ends with wiring access for continuous row mounting.

For questions about configuration options, contact Hubbell Representative.

PRODUCT AVAILABILITY

SIZE	LUMEN PACKAGE	NOMINAL LUMENS (3500K)	NOMINAL WATTS
14	LW	1900	22
	ML	2400	27
	HL	3100	36
	VL	3800	45
22	LW	2100	22
	ML	2500	27
	HL	3300	36
24	LW	3900	41
	ML	4700	52

For exact lumens and watts see specific photometric test(s)



LED Troffer with Advanced Solid State Technology

LED LENSED TROFFERS



FEATURES

- Full distribution LED troffer
- Direct replacement for 2x4 and 2x2 fluorescent
- Long-life, 50,000 hour LEDs at L70 reduce life cycle maintenance costs
- Choice of six lens options
- Choice of two door frame options
- Three color choices with excellent color consistency and 82 CRI
- Fixed output, step dimming, or 0-10V dimming drivers available
- Hinged optical system allows easy access to LED modules and electrical from below the ceiling
- Metal to metal light leak protection on all sides of shielding frame
- Recessed, surface, or cable mount
- Low W/ft² ratio typically meets the most restrictive lighting power density codes
- DesignLights Consortium® (DLC) qualified; see www.designlights.org
- Available with exclusive wiHUBB technology preinstalled
- Five year warranty (Terms and Conditions Apply)

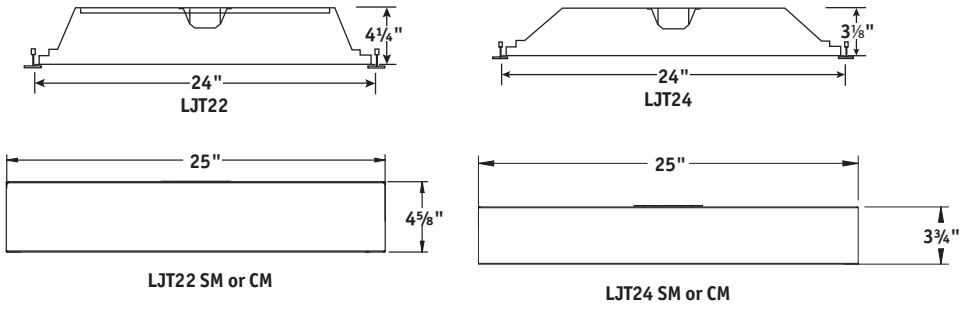
ORDERING INFORMATION

LJT	-		-		-		-	U	-	
MODEL	COLOR TEMP	CEILING TYPE	SHIELDING	DRIVER	VOLTAGE	OPTIONS				
LJT LED Lensed Troffer	30 3000K 35 3500K 40 4000K	G Grid ¹ SM Surface Mount CM Cable Mount ²	A12 Pattern 12 Acrylic Lens A12125 Pattern 12 Acrylic Lens, 0.125" Nominal A12F Pattern 12 Frosted Acrylic Lens A12125F Pattern 12 Frosted Acrylic Lens, 0.125" Nominal A19 Pattern 19 Acrylic Lens, 0.156" Nominal A19F Pattern 19 Frosted Acrylic Lens .156"	E Fixed Output ESD Step Dimming ED 0-10V Dimming	U 120V-277V	C388 3-Wire Flex C488 4-Wire Flex C588 5-Wire Flex ELL14 Emergency Battery Pack Installed, 1400 Lumen ^{3,4} GLR Fast Blow Fuse G1 Single Gasketing (Door to Housing) G2 Double Gasketing (G1 and Lens to Door) G3 Triple Gasketing (G2 and Housing to Ceiling) WIH wiHUBB ^{5,6} SLL Spring Loaded Latches (Std. on FA Door) EOR End of Row (SM/CM only) ⁷ INT Intermediate (SM/CM only) ⁷				
SIZE	LUMEN OUTPUT		DOOR							
22 2' x 2' 24 2' x 4'	LW Low Watt (2x4 only) ML Medium Lumen HL High Lumen (2x2 only)	See Product Availability table below.	For more door options contact factory.							

ACCESSORIES (ORDER SEPARATELY)

FK22 2' x 2' Single Flange Kit
FK24 2' x 4' Single Flange Kit
FKCR Flange Kit Row Adaptor (All Sizes)
CM48Y2SC3F-KIT 48" Cable Mount Kit for 2' Wide CM Ceiling Type, 3 Wire Feed Cord

¹ For hard ceilings use flange kit accessory.
² Order hanger accessories separately.
³ For compatibility with Dual-Lite LiteGear® inverters in lieu of EL Battery Pack, contact Hubbell Lighting Representative.
⁴ Not available with 2x2 Surface or Cable Mount.
⁵ Not available with Surface Mount ceiling types.
⁶ In-Fixture Module Antenna adds 2" to overall fixture height at power feed location.
⁷ Provides ends with wiring access for continuous row mounting.
 Damp Label - standard



PRODUCT AVAILABILITY

SIZE	LUMEN PACKAGE	NOMINAL LUMENS (3500K)	NOMINAL WATTS
22	ML	3200	36
	HL	4000	46
24	LW	4100	41
	ML	5000	52

For exact lumens and watts see specific photometric test(s)

Low Profile LED Wraparound

FEATURES

- LED Wraparound
- Long-life 50,000 hour LEDs at L70 for reduced maintenance
- Choice of two LED color temperatures
- Available in 2' or 4' lengths
- Choice of two lumen packages
- Heavy gauge steel housing, die embossed for maximum rigidity
- White steel end plates
- Diffuser features flat bottom and vertical sides
- Hinges from either side
- LED light engine accessible for future maintenance or upgrades
- DesignLights Consortium® (DLC) qualification pending; see www.designlights.org
- Surface Mount or Suspended
- For narrow corridor wrap with matching appearance use LRO
- 5 year warranty



ORDERING INFORMATION

MODEL	SIZE	COLOR TEMP	LUMEN OUTPUT	DRIVER	VOLTAGE	OPTIONS
LAW LED Wraparound	2 2' 4 4'	35 3500K 40 4000K	LW Low Watt ML Medium Lumen See Product Availability Table below.	E Fixed Output ESD Step Dimming ED 0-10V Dimming	U 120V-277V	ELL14 Emergency Battery Pack, 1400 Lumens ¹ GLR Fast Blow Fuse PAF Paint After Fabrication NYC NYC Compliant

ACCESSORIES (ORDER SEPARATELY)

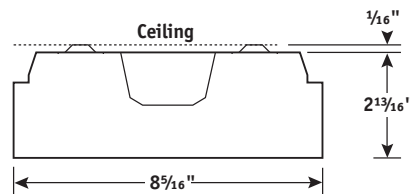
- S18** 18" Stem, Canopy
- SS18** 18" Swivel Stem—45° Swivel

¹ For compatibility with Dual-Lite LiteGear® inverters in lieu of installed Battery Pack, contact Hubbell Lighting Representative.

PRODUCT AVAILABILITY

SIZE	LUMEN PACKAGE	NOMINAL LUMENS (3500K)	NOMINAL WATTS
2'	LW	2400	25
	ML	4400	51
4'	LW	2400	25
	ML	4400	51

For exact lumens and watts see specific photometric test(s)



Premium LED Corridor Wraparound

LED WRAPS

LED



FEATURES

- Premium LED Corridor Wraparound
- Matches LWC (LED) in appearance
- Long-life 50,000 hour LEDs at L70 for reduced maintenance
- Choice of two LED color temperatures
- Choice of four lumen packages
- Available in 4' lengths
- Heavy gauge steel housing, die embossed for maximum rigidity
- Injection molded ends sonically welded to prismatic lens extrusion
- Diffuser features flat bottom and vertical sides
- LED boards and driver accessible for future maintenance or upgrades
- Surface Mount or Suspended
- 5 year warranty

ORDERING INFORMATION

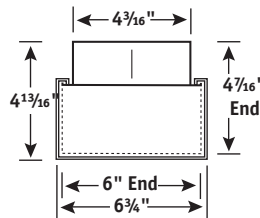
MODEL	SIZE	COLOR TEMP	LUMEN OUTPUT	DRIVER	VOLTAGE	OPTIONS
LPT Premium LED Corridor Wraparound	4 4'	35 3500K 40 4000K	LW Low Watt ML Medium Lumen HL High Lumen VL Very High Lumen	E Fixed Output ESD Step Dimming ED 0-10V Dimming	U 120V-277V	ELL14 Emergency Battery Pack, 1400 Lumens ^{1,2} GLR Fast Blow Fuse PAF Paint After Fabrication NYC NYC Compliant

See Product Availability Table below.

ACCESSORIES (ORDER SEPARATELY)

- ITB4** T-Bar Hanger
- S18** 18" Stem, Canopy
- SS18** 18" Swivel Stem—45° Swivel

¹ For compatibility with Dual-Lite LiteGear® inverters in lieu of installed battery pack, contact Hubbell Lighting Representative.
² ELL14 not available with HL or VL lumen packages.



PRODUCT AVAILABILITY

SIZE	LUMEN PACKAGE	NOMINAL LUMENS (3500K)	NOMINAL WATTS
4'	LW	2500	27
	ML	5000	53
	HL	6000	61
	VL	10,000	106

For exact lumens and watts see specific photometric test(s)

LED Corridor Wraparound

FEATURES

- LED Corridor Wraparound
- Matches LAW (LED) in appearance
- Long-life 50,000 hour LEDs at L70 for reduced maintenance
- Choice of two LED color temperatures
- Available in 4' lengths
- Choice of four lumen packages
- Heavy gauge steel housing, die embossed for cooler operation and longer life
- Clear prismatic diffuser with flat bottom and vertical sides
- Hinges from either side
- LED boards and driver accessible for future maintenance or upgrades
- Surface Mount or Suspended
- 5 year warranty



LED WRAPS

ORDERING INFORMATION

LRO		4				U	
MODEL	SIZE	COLOR TEMP	LUMEN OUTPUT	DRIVER	VOLTAGE	OPTIONS	
LRO LED Corridor Wraparound	4 4'	35 3500K 40 4000K	LW Low Watt ML Medium Lumen HL High Lumen VL Very High Lumen <small>See Product Availability Table below.</small>	E Fixed Output ESD Step Dimming ED 0-10V Dimming	U 120V-277V	ELL14 Emergency Battery Pack, 1400 Lumens ^{1,2} GLR Fast Blow Fuse PAF Paint After Fabrication NYC NYC Compliant	

ACCESSORIES (ORDER SEPARATELY)

- ITB4 T-Bar Hanger
- S18 18" Stem, Canopy
- SS18 18" Swivel Stem—45° Swivel

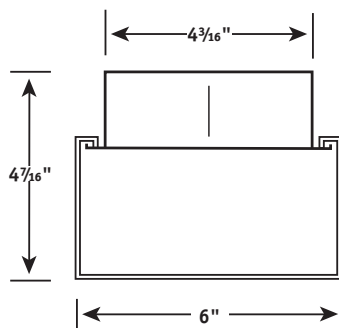
¹ For compatibility with Dual-Lite LiteGear® inverters in lieu of installed Battery Pack, contact Hubbell Lighting Representative.

² ELL14 not available with HL or VL lumen packages.

PRODUCT AVAILABILITY

SIZE	LUMEN PACKAGE	NOMINAL LUMENS (3500K)	NOMINAL WATTS
4'	LW	2500	27
	ML	5000	53
	HL	6000	61
	VL	10,000	106

For exact lumens and watts see specific photometric test(s)



Specification Grade LED Wraparound

LED WRAPS

LED



FEATURES

- Premium LED Corridor Wraparound
- Long-life 50,000 hour LEDs at L70 for reduced maintenance
- Choice of two LED color temperatures
- Choice of two lumen packages
- Available in 2' or 4' lengths
- Heavy gauge steel housing, die embossed for maximum rigidity
- Injection molded ends sonically welded to prismatic lens extrusion
- Diffuser features flat bottom and vertical sides
- LED boards and driver accessible for future maintenance or upgrades
- For narrow companion use LPT corridor wraparound
- Surface Mount or Suspended
- 5 year warranty

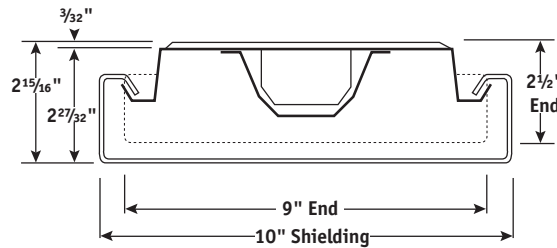
ORDERING INFORMATION

LWC						U	
MODEL	SIZE	COLOR TEMP	LUMEN OUTPUT	DRIVER	VOLTAGE	OPTIONS	
LWC LED Premium Specification Grade Wraparound	2 2' 4 4'	35 3500K 40 4000K	LW Low Watt ML Medium Lumen <small>See Product Availability Table below.</small>	E Fixed Output ESD Step Dimming ED 0-10V Dimming	U 120V-277V	ELL14 Emergency Battery Pack, 1400 Lumens ¹ GLR Fast Blow Fuse PAF Paint After Fabrication DR 50% DR Content, Clear Prismatic Acrylic NYC NYC Compliant	

ACCESSORIES (ORDER SEPARATELY)

- ITB4** T-Bar Hanger
- S18** 18" Stem, Canopy
- SS18** 18" Swivel Stem—45° Swivel

¹ For compatibility with Dual-Lite LiteGear® inverters in lieu of installed Battery Pack, contact Hubbell Lighting Representative.



PRODUCT AVAILABILITY

SIZE	LUMEN PACKAGE	NOMINAL LUMENS (3500K)	NOMINAL WATTS
2'	LW	2600	25
	ML	4700	51
4'	LW	2600	25
	ML	4700	51

For exact lumens and watts see specific photometric test(s)

FEATURES

- LED Striplight
- Long-life 50,000 hour LEDs at L70 for reduced maintenance
- Choice of two LED color temperatures
- Choice of four lumen packages
- Available in 4' or 8' lengths
- Heavy die-formed steel channel
- Channel ends snap on for easy installation
- LED boards and driver accessible for future maintenance or upgrades
- Surface Mount or Suspended
- 5 year warranty (Terms and Conditions apply)



ORDERING INFORMATION

LCS						
MODEL	SIZE	COLOR TEMP	LUMEN OUTPUT	DRIVER	VOLTAGE	OPTIONS
LCS LED Striplight	4 4' 8 8'	35 3500K 40 4000K	LW Low Watt ML Medium Lumen HL High Lumen VL Very High Lumen <small>See Product Availability Table below.</small>	E Fixed Output ESD Step Dimming ED 0-10V Dimming	U 120V-277V	ELL14 Emergency Battery Pack, 1400 Lumens ¹ GLR Fast Blow Fuse PAF Paint After Fabrication NYC NYC Compliant

ACCESSORIES
(ORDER SEPARATELY)

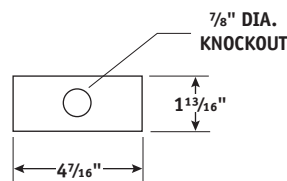
- CSWG4 4' Wire Guard
- S18 18" Stem, Canopy
- SS18 18" Swivel Stem—45° Swivel
- CSHC Chain Hanger Assembly

¹ For compatibility with Dual-Lite LiteGear® inverters in lieu of installed Battery Pack, contact Hubbell Lighting Representative.

PRODUCT AVAILABILITY

SIZE	LUMEN PACKAGE	NOMINAL LUMENS (3500K)	NOMINAL WATTS
4'	LW	2800	27
	ML	5600	53
	HL	6800	61
	VL	11,200	106
8'	LW	5600	53
	ML	11,200	106
	HL	13,600	122
	VL	22,400	212

For exact lumens and watts see specific photometric test(s)



LLHV

WINTER
2014

LED Versabay® High Bay

LED INDUSTRIALS

LED



FEATURES

- LED Versabay® High Bay
- Low profile for easy handling and reduced concern about obstructions
- Long-life 50,000 hour LEDs at L70 for reduced maintenance
- Choice of LED color temperatures
- Choice of lumen packages
- Available in 4' lengths
- LED boards and driver accessible from below

LXEM

WINTER
2014

LED Extreme Enclosed and Gasketed

LED INDUSTRIALS

LED



FEATURES

- LED Extreme Enclosed and Gasketed
- Long-life 50,000 hour LEDs at L70 for reduced maintenance
- Choice of LED color temperatures
- Choice of lumen packages
- Available in 4' and 8' lengths
- Fiberglass housing with F1 weatherability rating standard
- Acrylic diffuser held in place with 8 tamper resistance ready polycarbonate latches (4' length)
- Stainless steel latching optional
- Five year warranty (Terms and Conditions apply)

FEATURES

- Highly efficient LEDs provide up to 98 lumens per watt at 70 CRI
- Individual optics for each LED allow for precise control of light distribution
- Operates in ambient temperatures from 45°C/113°F down to -40°C/-40°F (0°C/32°F with Occupancy Sensor)
- Long-life, 50,000 hour LEDs at L80 reduce life cycle maintenance costs
- Aisle, Medium, or Wide distribution options
- Extruded aluminum housing acts as heat sink; downward sloping fins minimize debris buildup
- Optional occupancy sensor sits securely within the housing frame
- Fixed output or 0-10V dimming available
- Optional factory installed wire guard
- Product designed for quick and easy suspension mounting with aircraft cabling
- CSA listed and suitable for damp locations
- DesignLights Consortium® (DLC) qualified; see www.designlights.org
- Available with exclusive wiHUBB technology preinstalled



ORDERING INFORMATION

MODEL	SIZE	COLOR TEMP	LUMEN OUTPUT	DISTRIBUTION	DRIVER	VOLTAGE	OPTIONS
LLHP LED Linear High Bay	2 2'	40 4000K 50 5000K	L Low Lumen H High Lumen See Product Availability Table below.	A Aisle M Medium W Wide	E Fixed Output ED 0-10V Dimming	U 120V-277V 120 120V 277 277V	F3C5 3-Conductor Cord 5' F3C10 3-Conductor Cord 10' F3C15 3-Conductor Cord 15' C6TL15 6' Cord and Twist-Lock Plug 15A (Add Volt 1=120, 2=277) C6TL20 6' Cord and Twist-Lock Plug 20A (Add Volt 1=120, 2=277) WIH wiHUBB Enabled ¹ WG Wire Guard (factory installed) OS1 Occupancy Sensor 120-277 Single Relay

ACCESSORIES (ORDER SEPARATELY)

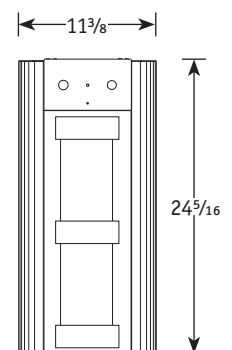
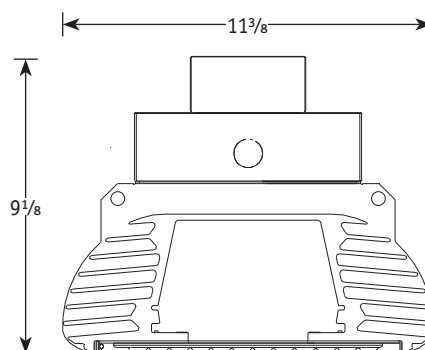
- CP6TL15** 6' Cord and Twist-Lock Plug 15A (Add Volt 1=120, 2=277)
- CP6TL20** 6' Cord and Twist-Lock Plug 20A (Add Volt 1=120, 2=277)
- LHVQM5** Aircraft Cable 5' Pair
- LHVQM10** Aircraft Cable 10' Pair
- LHVQM15** Aircraft Cable 15' Pair

¹ In-Fixture Module Antenna adds 2" to overall fixture height at specific location.

PRODUCT AVAILABILITY

DISTRIBUTION	LUMEN PACKAGE	NOMINAL LUMENS (3500K)	NOMINAL WATTS
Aisle	L	13000	143
	H	24900	282
Medium	L	14300	143
	H	27600	282
Wide	L	14000	143
	H	27000	282

For exact lumens and watts see specific photometric test(s)





ARCHITECTURAL AMBIENT INDOOR



BRAND PROFILE

- Founded in 2000 in Spokane, WA
- Serves the indoor commercial, educational, retail, health care, and institutional marketplaces
- Exceptional array of architectural and specialty linear products means energy efficiency and control-compatibility for sustainable design







LM6R

Micro6 LED

micro6 led



LED RECESSED

FEATURES

- 6" x 4' narrow recessed architectural luminaire
- Long 50,000 hour life LED at L80 reduces life cycle maintenance costs
- Choice of three LED color temperatures
- 82 CRI and 3-step MacAdam ellipse color consistency
- Choice of four LED lumen packages
- Flush or Regressed lens, Opal Acrylic or High Efficiency
- Compatible with grid, slot grid, or drywall ceilings
- Compatible with TechZone™ or USG Logix™ ceiling systems
- Five year warranty (Terms and Conditions Apply)
- Single fixtures, 4' lengths
- LED modules replaceable from below
- Available with exclusive wiHUBB technology preinstalled (WIH option)

ORDERING INFORMATION

LM6R - 4 - [] - [] - [] - [] - [] - [] - [] - []

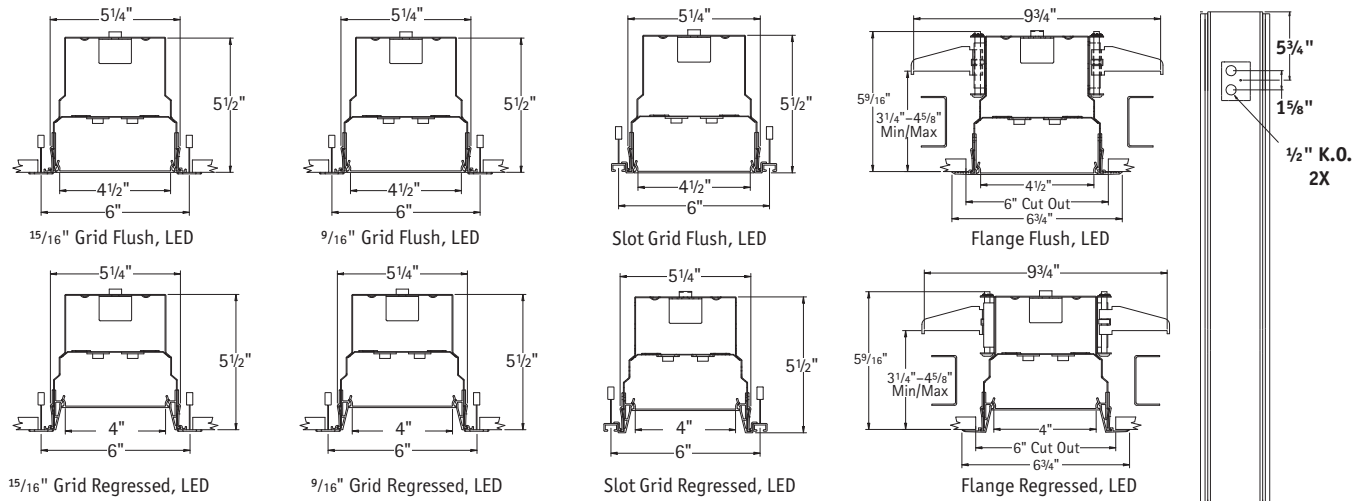
MODEL	LED COLOR	LED LUMEN PACKAGE	SHIELDING TRIM PROFILE	BALLAST	VOLTAGE	OPTIONS
LM6R LED Micro6 Recessed, 6"	30 3000K 35 3500K 40 4000K	LW Low Watt ML Medium Lumen HL High Lumen VL Very High Lumen	FA Flush Aluminum RA 1" Regressed Angled Aluminum	E Fixed Output ESD Step Dimming ED 0-10V Dimming	120 120V 277 277V	ELL14 Emergency Battery Pack, 1400 Lumens ^{2,3} EMC One Emergency Circuit NLC Night Light Circuit GLR Fast Blow Fuse 4TB 4 T-Bar Clips C388 3-Wire Flex C488 4-Wire Flex C588 5-Wire Flex NYC NYC Compliant NYCU NYC Compliant, Union Label WIH wiHUBB Enabled ^{2,4,5}
ROW LENGTH			MOUNTING METHOD	SHIELDING		
4 4'			G Grid ¹ SG Slot Grid F Flange	OA Opal Acrylic HE High Efficiency		

LUMEN PACKAGE OPTIONS	
Catalog Logic	Nominal Lumens
LW	2000
ML	2500
HL	3200
VL	4000

¹ Also compatible with 9/16" flat T-bar grid.
² Not available with all configurations; some limitations apply. Contact factory for details.
³ For compatibility with Dual-Lite LiteGear® inverters in lieu of installed Battery Pack, contact Hubbell Lighting Representative.
⁴ wiHUBB available on G and SG only.
⁵ In-Fixture Module Antenna adds 2" to overall fixture height at power feed location.

Efficacies up to 88 lumens per watt. See specific photometric reports for details.
 Data above based on 3500 Kelvin color temp.

CROSS SECTIONS



Weight: 18 pounds









BRAND PROFILE

Prescolite is a major manufacturer of downlights, surface and track lighting solutions that challenge paradigms in energy efficiency and highly aesthetic design for architectural, commercial, light commercial and retrofit installations.

For nearly 70 years, the company has maintained its status as industry leader by taking advantage of rapidly changing technology to bring new product innovations to the marketplace. In turn, Prescolite has received awards and recognition by industry peers for its groundbreaking product design and offering. Recent honors include:

- Prescolite's A2LED was named "Product of the Year" by EC&M Magazine in 2013.
- Recently IESNA announced the 2012 recipients of the Progress Report label, a coveted symbol of art and science in the lighting industry. Prescolite's D2LED wall wash and A2LED were among the recognized products.

PRODUCT OFFERING

Patented technologies and designs that offer energy efficient and energy saving options for commercial and high-end residential markets are included in Prescolite's impressive product offering.

Known for introducing the first fluorescent downlight in the U.S. – as well as the first HID downlight – the lighting brand has continued to evolve its product offering in the downlight category. Most recently, Prescolite added three high performance LED downlights to its extensive product line. The manufacturer also introduced the first 12,000 lumen recessed LED downlight, which features multiple configurations and unique thermal management for high ceiling applications.

High efficiency, as well as exceptional light output, efficacy and color consistency are standards in all Prescolite downlights. The brand continues to evaluate the needs of lighting specifiers, engineers, end users and architects – to develop product lines that exceed expectations.







LED INTRODUCTION	22-23
CEILING HEIGHT CROSSOVER	26-27

ARCHITECTURAL

INTRODUCTION	28
D2LED	2" LED Downlight 29
A2LED	2" LED Adjustable 30
LF4LED	4" LiteFrame LED Downlights 31
LF6LED	6" LiteFrame LED Downlights 32
LF8LED	8" LiteFrame LED Downlights 33
LF4SQLED	4" LiteFrame Square LED Downlights 34
LF6SQLED	6" LiteFrame Square LED Downlights 35
MD8LED	8" High Lumen LED Downlight 36
INTEGRAL EMER/DIMMING	37
DECORATIVE TRIMS	38-39

COMMERCIAL

INTRODUCTION	40
LC6LED	6" LiteFrame Commercial LED Downlights 41

LIGHT COMMERCIAL

INTRODUCTION	42
FT6QLIC/LB6LEDA	6" FireTight LED QuickLink 43
LB4LEDA	4" LED Trims 44
BX4QL/IBX4QL/RMN4QL 120	4" LED QuickLink 45
LB6LEDA	6" LED Trims 46
DBXQL	6" LED QuickLink 47

RETROFIT

INTRODUCTION	48
RLF6LED/RLF8LED	6" & 8" LED Downlights 49
RLC6LED	6" LED Retrofit Downlights 50

CYLINDERS, STEPLIGHTS, & TRACK

INTRODUCTION	52
LED CYLINDERS	4" & 6" LED Cylinders 53
PENDALUM LED	Pendant LED Series 54
LBC6	6" LED Cylinder 55
SLLLED	LED Steplights 56
93 LED	Recessed High-Output Steplight LED 57
AKT6LED	LED Track Head 58
AKTSLED	LED Track Head 59
SYSTEM COMPONENTS	Track Accessories for Architrak® 60

prescolite CEILING HEIGHT CROSSOVER

INTRODUCTION

LED

CEILING HEIGHT	LEGACY	Architektur	LiteFrame LED	LiteFrame Commercial	LiteBox
40' & Above	 250W MH	 MD8 12L			
30-40'	 150W MH 500W T4	 MD8 9L			
20-30'	 100W MH 250W T4	 MD8 6L			
10-20'	 32W/42W CFL Twin 26W 6CFL	 MD8 3L D2LED12L	 LF6LED8 LF6LED7	 LC6LED7 LC6LED6	
10-20'	 26W CFL	 D2LED9L	 LF6LED5	 LC6LED5	 LB6LEDA10L
8-10'	 18W CFL 75W INC				 LB6LEDA LB4LEDA

PRODUCT IMAGE	CATALOG #	APERTURE	EQUIVALENCY	CCT	VOLTAGE	DIMMING	ENERGY STAR	WET LOCATION
D2 	D2LED A2LED	2" round	50W MR16 26W CFL	2700K 3000K 3500K 4000K	120/277	0-10V Standard Optional: HDM 1%		Yes
MEGALUM 	MD8LED3L MD8LED6L MD8LED9L MD8LED12L	8" round	30W CFL 50W MH (2) 70W CFL 500W T4 100W MH (2) 70W CFL 500W T4 150W MH 250W MH	2700K 3000K 3500K 4000K 5000K	120/277	0-10 Standard Optional: HDM 1%; Leading Edge 1%		Yes with Lens
LiteFrame LED 	LF6LED-6LFLED5 LF6LED-6LFLED7 LF6LED8-6LFLED8	4"/6"/8" round & 4"/6" square	26W CFL 42W CFL (2) 26W CFL 50W MH 70W CFL	3000K 3500K 4000K	120/277	0-10 Standard Optional: HDM 1%	Yes	Yes
LiteFrame Commercial 	LC6LED-6LCLED5 LC6LED-6LCLED6 LC6LED-6LCLED7	6" round	26W CFL 32W CFL 42W CFL (2) 26W CFL	2700K 3000K 3500K 4000K	120V or 277V	0-10V optional	Yes	Yes
LiteBox 	LB4LEDA LB6LEDA8L LB6LEDA10L	4"/6" round	50W R20 65W BR30 18W CFL 75W PAR30/P38 26W CFL	3000K 3000K 3500K 3000K 3500K	120V	Triac/ELV	Yes	Yes

ARCHITECTURAL Architectural interiors – convention centers, banquet halls, grand lobbies and theatres – require lighting solutions that contribute aesthetically to a clean design, while also delivering precise optical control, efficient thermal management and ease of maintenance benefits. Prescolite addresses the unique challenges these spaces have to offer with a comprehensive product line.



MD8LED is an 8" LED high-output downlight delivering more than 12,000 lumens suitable for the large commercial and architectural interiors.

UP TO 12,000 LUMENS. COLOR CONSISTENCY 3 SCDM

**UP TO 75 LUMENS
PER WATT**



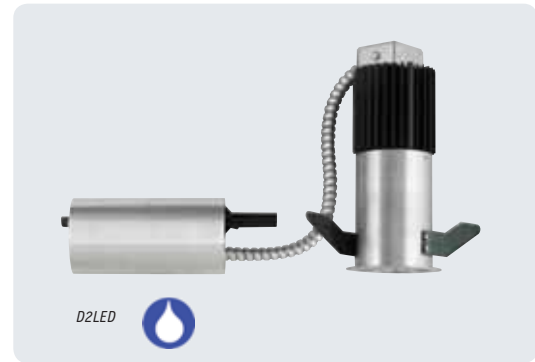
**LIGHT ENGINE WITH INTEGRAL HEAT SINK PROVIDES
EXCELLENT THERMAL MANAGEMENT AND 70% AVERAGE
LUMEN MAINTENANCE AT 50,000 HOURS**

D2LED

2" LED Downlight & Wall Wash 120V or 277V High Output Xicato XSM LED Module

FEATURES

- Light Engine with integral heat sink provides excellent thermal management and a minimum of 50,000 hours at 70% lumen maintenance
- Utilizes Xicato XSM Remote Phosphor LED module. Color consistency < 2 SCDM
- Non-IC rated. Suitable for wet locations
- Photometrics tested per IESNA-LM-79-2008 standards
- Output compared to a 26/32 watt CFL or 50 watt MR16 Halogen
- Completely accessible from below the ceiling
- Luminaires are certified by a National Recognized Testing Lab (NRTL), either UL or CSA.



ARCHITECTURAL

ORDERING INFORMATION

EXAMPLE: D2LED277V-2D9LEDHDM9L30K8MD25

D2LED			-	2D9LED		30K	8	MD25					
-------	--	--	---	--------	--	-----	---	------	--	--	--	--	--

J-TUBE ASSEMBLY

D2LED 2" J-Tube Assembly with 0-10 Dimming standard

VOLTAGE

Blank 120V
277 277V

LIGHT ENGINE

2D9LED 2" Open Reflector/ Light Engine Assembly

OPTIONS

Blank Standard 0-10V dimming
HDM⁵ Lutron Series A Driver. Hi-Lume 3 wire or EcoSystem dimming to 1%

LED COLOR

27K 2700 Kelvin
30K 3000 Kelvin
35K 3500 Kelvin
40K 4000 Kelvin

OUTPUT

9L² 900 Delivered Lumens
12L^{2.5} 1200 Delivered Lumens

BEAM ANGLE

WFL45 Spun Aluminum reflector with a 45° wide flood distribution
MD25 Spun Aluminum reflector with a 25° medium distribution
FL35 Spun Aluminum reflector with a 35° flood distribution
WW Wall Wash

CRI

8² Nominal 80+ CRI
9^{2.5} Nominal 95+ CRI

REFLECTOR COLORS

Blank Clear Alzak
CG Champagne Gold Alzak
WE Wheat Alzak
LW Light Wheat Alzak
PW Pewter Alzak
BL Black Alzak
WH¹ White paint

REFLECTOR FINISH

Blank Specular
SS Semi-specular
MFC American Matte™

REFLECTOR OPTIONS

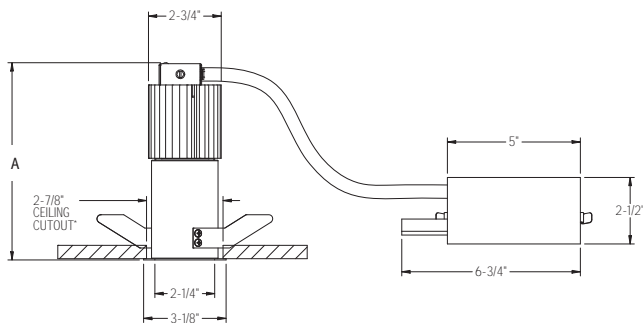
WT White trim

ACCESSORIES

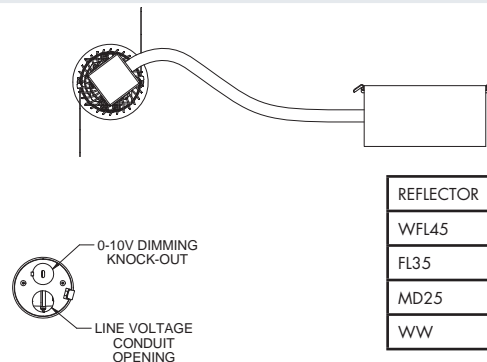
LG1³ Dual-Lite 100 VA Surface Mount LiteGear Emergency Lighting Inverter
LG1R³ Dual-Lite 100 VA Recessed Mount LiteGear Emergency Lighting Inverter
LG1T³ Dual-Lite 100 VA Recessed Ceiling T-Grid Mount LiteGear Emergency Lighting Inverter
LG2³ Dual-Lite 250 VA Surface Mount LiteGear Emergency Lighting Inverter
D2FRM⁴ Optional Mounting Frame for D2LED fixture
D2ICAT^{4,5} Optional IC Rated, Air Tight housing for the D2LED

NOTES

- ¹ Requires WT option
- ² See spec sheet for specific lumens per module and raw lumens
- ³ See spec sheet or www.prescolite.com for LiteGear Compatibility Matrix
- ⁴ See spec sheet for line art
- ⁵ ICAT not available with 95 CRI, HDM, or 12L



*Note: The accuracy of the 2-7/8" ceiling cutout is critical to the proper fit of the A2LED. For installation hints see page (3) of spec sheet or download the instruction sheet from www.prescolite.com



REFLECTOR	A
WFL45	5-7/8"
FL35	6-3/4"
MD25	7-1/2"
WW	7"



A2LED

2" LED Adjustable

ARCHITECTURAL



A2LED

FEATURES

- Light Engine with integral heat sink provides excellent thermal management and a minimum of 50,000 hours at 70% lumen maintenance
- Utilizes Xicato XSM Remote Phosphor LED module. Color consistency < 2 SCDM
- Non-IC rated. Suitable for damp locations
- Photometrics tested per IESNA-LM-79-2008 standards
- Output comparable to a 50 watt MR16 Halogen
- Completely accessible from below the ceiling
- Luminaires are certified by a National Recognized Testing Lab (NRTL), either UL or CSA.

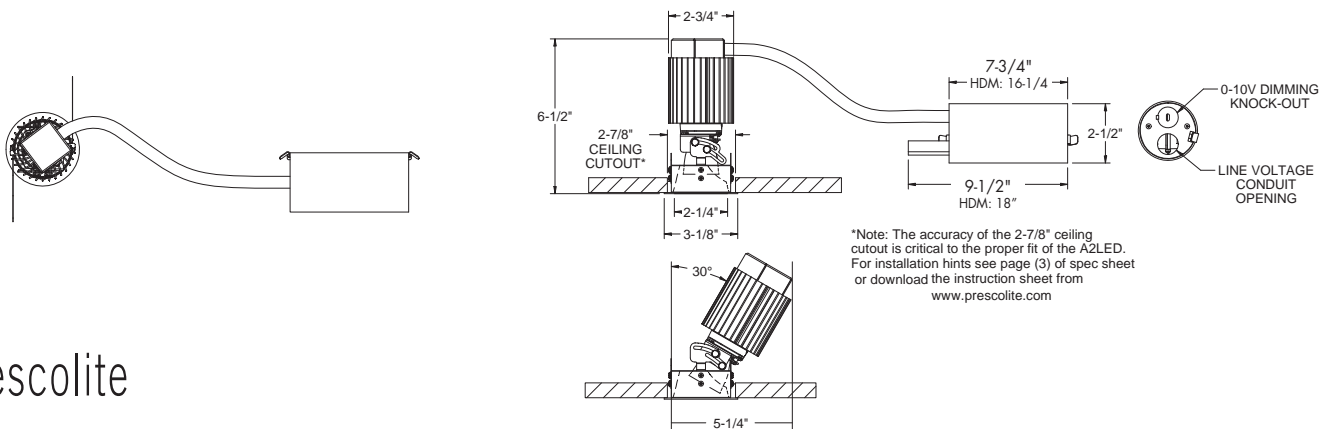
ORDERING INFORMATION

EXAMPLE: A2LED277VHDM-2A9LED9L30K8FL35

A2LED		2A9LED		30K	8	FL35				
J-TUBE ASSEMBLY		LIGHT ENGINE		LED COLOR		BEAM ANGLE		LOWER REFLECTOR⁶ COLORS		LOWER REFLECTOR OPTIONS
A2LED 2" J-Tube Assembly with 0-10 Dimming standard		2A9LED 2" Open Reflector/Light Engine Assembly		27K 2700 Kelvin 30K 3000 Kelvin 35K 3500 Kelvin 40K 4000 Kelvin		FL35 Spun Aluminum reflector with a 35° flood distribution		Blank Clear Alzak CG Champagne Gold Alzak WE Wheat Alzak LW Light Wheat Alzak PW Pewter Alzak BL Black Alzak BC⁴ Black Painted Cone WC⁴ White Painted Cone		Blank^{4,5} Anodized trim CT⁴ Clear trim WT⁴ White trim BT⁴ Black trim
VOLTAGE										LOWER REFLECTOR ANGLE CUT
Blank 120V 277 277V										Blank Standard Slot to accommodate 30° aiming AC15 Slot to accommodate 15° aiming FC Full cut for vertical aiming only
		OPTIONS		OUTPUT		CRI		LOWER REFLECTOR⁶ FINISH		ACCESSORIES
		Blank Standard 0-10V dimming HDM Lutron Series A Driver, Hi-Lume 3 wire or EcoSystem dimming to 1%		9L¹ 900 Delivered Lumens 12L¹ 1200 Delivered Lumens		8¹ Nominal 80+ CRI 9¹ Nominal 95 CRI		Blank Specular SS Semi-specular MFC American Matte™		LG1S² Dual-Lite 100 VA Surface Mount LiteGear Emergency Lighting Inverter LG1R² Dual-Lite 100 VA Recessed Mount LiteGear Emergency Lighting Inverter LG1T² Dual-Lite 100 VA Recessed Ceiling T-Grid Mount LiteGear Emergency Lighting Inverter LG2S² Dual-Lite 250 VA Surface Mount LiteGear Emergency Lighting Inverter D2FRM³ Optional Mounting Frame for A2LED/D2LED fixture

NOTES

- ¹ See spec sheet for specific lumen per module and raw lumens
- ² See spec sheet page 3 or www.prescolite.com for LiteGear Compatibility Matrix
- ³ See spec sheet for line art
- ⁴ Either CT, WT, or BT must be specified with a painted cone
- ⁵ With Alzak finishes, flange will match the trim finish. WT or BT may be specified as needed.
- ⁶ Upper reflector is always specular clear alzak



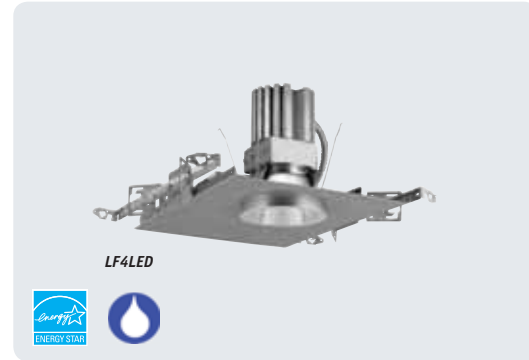
LF4LED

4" LiteFrame LED Downlights

Remote phosphor LED system in 3000K, 3500K, 4000K

FEATURES

- Light Engine utilizes Philips Fortimo remote phosphor technology for controlled color consistency fixture to fixture
- Universal 120-277V high efficiency LED driver with 0-10V dimming standard
- 50 Lumens per watt delivered
- Glare free optical control
- Shipped with pre-installed Light Commercial bar hangers. (See below for optional Commercial grade bar hangers)
- ENERGY STAR qualified
- Minimum 50,000 hour at 70% lumen maintenance system life
- Photometrics tested per IESNA-LM-79-2008 standards
- Non-IC rated. Suitable for wet locations and through wiring (Damp location for EM)
- Luminaires are certified by a National Recognized Testing Lab (NRTL), either UL or CSA.



ARCHITECTURAL

ORDERING INFORMATION

EXAMPLE: LF4LED-4LFLED730K WH WT

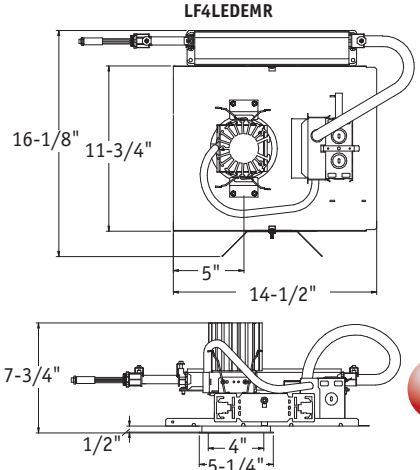
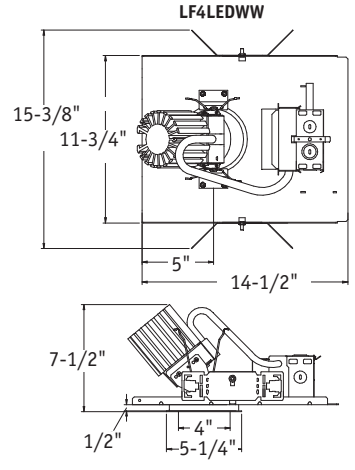
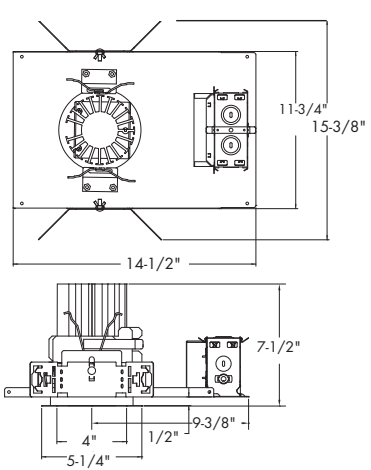
LF4LED						- 4LFLED7		30K				WH		WT									
HOUSING	VOLTAGE	OPTIONS		TRIM		LED COLOR TEMP		REFLECTOR COLORS		REFLECTOR OPTIONS		ACCESSORIES											
LF4LED 4" High Efficacy LED Housing with 0-10V Dimming to 10%	Blank 120-277V 120⁵ 120V 277⁵ 277V	EMR Bodine BSL17C-C2 Battery Pack with remote test switch and indicator light	WIH wiHUBB [®] Enabled Lutron Series A Driver. Hi-Lume 3 wire or EcoSystem dimming to 1%	4LFLED5¹ 4" Open Reflector/ Light Engine Assembly, Nominal 18 watt and 1100 lumen module	4LFLED7² 4" Open Reflector/ Light Engine Assembly, Nominal 34 watt and 2000 lumen module	30K 3000 Kelvin, 80 CRI	35K 3500 Kelvin, 80 CRI	40K 4000 Kelvin, 80 CRI	Blank Clear Alzak	CG Champagne Gold Alzak	BL Black Alzak	WE Wheat Alzak	LW Light Wheat Alzak	PW Pewter Alzak	WH⁴ White Paint	WT White Trim	TRG Trim Ring Gasket (factory installed)	WW Wall Wash	B24 Set of two(2) 24" bar hangers for T-bar ceilings	B6 Set of two (2) bar hangers for ceiling joist up to 24" centers	LG1S³ Dual-Lite 100 VA Surface Mount LiteGear Emergency Lighting Inverter	LG2S³ Dual-Lite 250 VA Surface Mount LiteGear Emergency Lighting Inverter	
LF4LED5⁵ 4" LED Housing for use with 4LFLED5 trim and HDM driver																							
LF4LED7⁵ 4" LED Housing for use with 4LFLED7 trim and HDM driver																							

REFLECTOR FINISH

Blank Alzak Semi-Diffuse

NOTES

- ¹ Philips Fortimo 1100Lm LED module
- ² Philips Fortimo 2000Lm LED module
- ³ See www.dual-lite.com for LiteGear Compatibility
- ⁴ Requires WT options
- ⁵ LED5/7 housing and voltage must be specified with HDM option.



LF6LED

6" LiteFrame LED Downlights

Remote phosphor LED system in 3000K, 3500K, 4000K

ARCHITECTURAL



LF6LED



FEATURES

- Light Engine utilizes Philips Fortimo remote phosphor technology for controlled color consistency fixture to fixture
- 50 Lumens per watt delivered
- Glare free optical control
- Shipped with pre-installed Light Commercial bar hangers. (See below for optional Commercial grade bar hangers)
- Minimum 50,000 hour at 70% lumen maintenance system life
- ENERGY STAR qualified
- Photometrics tested per IESNA-LM-79-2008 standards
- Non-IC rated. Suitable for wet locations and through wiring (Damp location for EM)
- Available with exclusive wiHUBB technology preinstalled
- Luminaires are certified by a National Recognized Testing Lab (NRTL), either UL or CSA.

ORDERING INFORMATION

EXAMPLE: LF6LED-6LFLED5 30K WH WT

LF6LED			-	6LFLED5	30K		WH	WT	
--------	--	--	---	---------	-----	--	----	----	--

HOUSING	OPTIONS	TRIM	LED COLOR TEMP	REFLECTOR COLORS	REFLECTOR OPTIONS	ACCESSORIES
LF6LED 6" High Efficacy LED Housing with 0-10V Dimming to 10%, for 1100 or 2000 Lumen module LF6LED5¹³ 6" LED Housing for use with 6LFLED5 trim and HDM driver LF6LED7¹³ 6" LED Housing for use with 6LFLED7 trim and HDM driver LF6LED8^{7,12,13} 6" High Efficacy LED Housing with 0-10V Dimming to 10%, for 2800 Lumen module	WW^{2,7} Wall Wash EM^{3,6,9} Emergency Battery Pack with integral test switch and indicator light WIH wiHUBB® Enabled HDM¹³ Lutron Series A Driver. Hi-Lume 3 wire or Eco-System dimming to 1% VOLTAGE Blank¹¹ 120-277V 120^{12,13} 120-277V 277^{12,13} 120-277V	6LFLED5⁴ 6" Open Reflector/Light Engine Assembly, 1100 lumen module 6LFLED7⁵ 6" Open Reflector/Light Engine Assembly, 2000 lumen module 6LFLED8^{7,10} 6" Open Reflector/Light Engine Assembly, and 2800 lumen module	30K 3000 Kelvin, 80 CRI 35K 3500 Kelvin, 80 CRI 40K 4000 Kelvin, 80 CRI	Blank Clear Alzak CG Champagne Gold Alzak BL Black Alzak WE Wheat Alzak LW Light Wheat Alzak PW Pewter Alzak WH¹ White Paint REFLECTOR FINISH Blank Alzak Semi-Diffuse	WT White Trim TRG Trim Ring Gasket (factory installed) WW^{2,7} Wall Wash EM^{3,6,9} Emergency Battery Pack with integral test switch and indicator light WF Wide Flange	B24 Set of two (2) 24" bar hangers for T-bar ceilings B6 Set of two (2) bar hangers for ceiling joist up to 24" centers LFSC6^{3,7} 6" reflector screw cover LFSC6EM³ 6" reflector screw cover for EM LG1S^{7,8} Dual-Lite 100 VA Surface Mount LiteGear Emergency Lighting Inverter LG2S^{7,8} Dual-Lite 250 VA Surface Mount LiteGear Emergency Lighting Inverter SCA6D_ Sloped Ceiling Adapter Signos6 Architectural Glass Elements

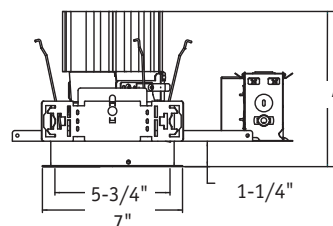
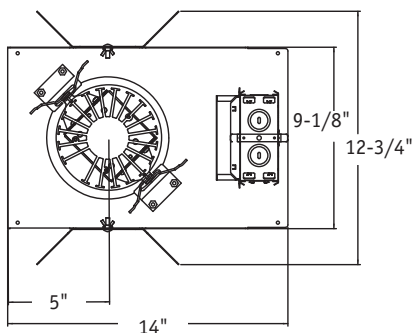


WALL WASH VERSION

*Please refer to specification sheet for wall wash or EM line art.

NOTES

- ¹ Requires WT option
- ² WW option must be on both the housing and the trim
- ³ Not compatible with WW
- ⁴ Philips Fortimo 1100Lm LED module, use LF6LED housing
- ⁵ Philips Fortimo 2000Lm LED module, use LF6LED housing
- ⁶ EM option must be on both the housing and the trim
- ⁷ Not compatible with EM
- ⁸ See spec sheet or www.prescolite.com for LiteGear Compatibility Matrix
- ⁹ Not available with LED8
- ¹⁰ Philips Fortimo 2800Lm module, use LF6LED8 housing
- ¹¹ Leave blank for LF6LED
- ¹² 120 or 277 must be selected for LF6LED8
- ¹³ LED5/7 housing and voltage must be specified with HDM option



	A
6LFLED5	6-3/4"
6LFLED7	7-3/4"
6LFLED8	7-3/4"

*See spec sheet for wall wash and EM dimensional details

LF8LED

8" LiteFrame LED Downlights

Remote phosphor LED system in 3000K, 3500K, 4000K

FEATURES

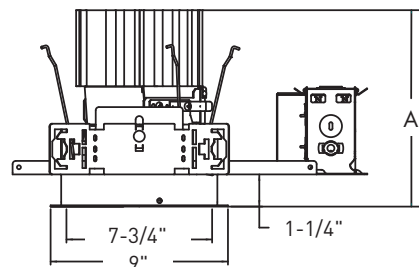
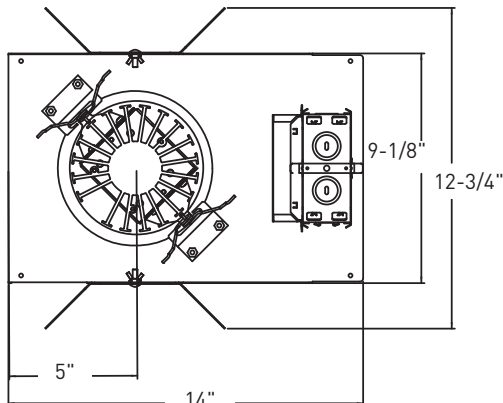
- Light Engine utilizes Philips Fortimo remote phosphor technology for controlled color consistency fixture to fixture
- 50 Lumens per watt delivered
- Glare free optical control
- Shipped with pre-installed Light Commercial bar hangers. (See below for optional Commercial grade bar hangers)
- Minimum 50,000 hour at 70% lumen maintenance system life
- ENERGY STAR qualified
- Photometrics tested per IESNA-LM-79-2008 standards
- Non-IC rated. Suitable for wet locations and through wiring (Damp location for EM)
- Luminaires are certified by a National Recognized Testing Lab (NRTL), either UL or CSA.



ARCHITECTURAL

ORDERING INFORMATION EXAMPLE: LF8LED-8LFLED5 30K WH WT

LF8LED			-	8LFLED5	30K		WH	WT					
HOUSING		OPTIONS		TRIM		LED COLOR TEMP		REFLECTOR COLORS		REFLECTOR OPTIONS		ACCESSORIES	
LF8LED	8" High Efficacy LED Housing with 0-10V Dimming to 10%, for 1100 or 2000 Lumen module	EM ^{3,7}	Bodine BSL17C-C2 Battery Pack with indicator light and test switch.	8LFLED5 ¹	8" Open Reflector/Light Engine Assembly, 1100 lumen module	30K	3000 Kelvin, 80 CRI	Blank	Clear Alzak	WT	White Trim	B24	Set of two(2) 24" bar hangers for T-bar ceilings
LF8LED5 ^{10,11}	8" LED Housing for use with 8LFLED5 trim and HDM driver	WIH	WiHUBB® Enabled	8LFLED7 ²	8" Open Reflector/Light Engine Assembly, 2000 lumen module	35K	3500 Kelvin, 80 CRI	CG	Champagne Gold Alzak	TRG	Trim Ring Gasket (factory installed)	B6	Set of two (2) bar hangers for ceiling joist up to 24" centers
LF8LED7 ^{10,11}	8" LED Housing for use with 8LFLED7 trim and HDM driver	HDM ¹¹	Lutron Series A Driver. Hi-Lume 3 wire or Eco-System dimming to 1%	8LFLED8 ⁸	8" Open Reflector/Light Engine Assembly, 2800 lumen module	40K	4000 Kelvin, 80 CRI	BL	Black Alzak	EM ^{3,7}	Bodine BSL17C-C2 Battery Pack with indicator light and test switch. (Consult factory for availability)	LFSC8 ⁴	8" reflector screw cover
LF8LED8 ^{4,10,11}	8" High Efficacy LED Housing with 0-10V Dimming to 10%, for 2800 Lumen module	VOLTAGE		REFLECTOR FINISH				WE	Wheat Alzak	WF	Wide Flange	LFSC8EM	8" reflector screw cover for EM
		Blank ⁹	120-277V	Blank	Alzak Semi-Diffuse			LW	Light Wheat Alzak			LG15 ^{4,5}	Dual-Lite 100 VA Surface Mount LiteGear Emergency Lighting Inverter
		120 ^{10,11}	120V					PW	Pewter Alzak			LG25 ^{4,5}	Dual-Lite 250 VA Surface Mount LiteGear Emergency Lighting Inverter
		277 ^{10,11}	277V					WH ⁶	White Paint			SCA8D	Sloped Ceiling Adapter
NOTES													
1 Philips Fortimo 1100Lm LED module, use LF8LED housing													
2 Philips Fortimo 2000Lm LED module, use LF8LED housing													
3 EM option must be on both the housing and the trim													
4 Not compatible with EM													
5 See spec sheet or www.prescolite.com for LiteGear Compatibility Matrix													
6 Requires WT option													
7 Not available with LED8													
8 Philips Fortimo 2800 Lm module, use LF8LED8 housing													
9 Leave blank for LF8LED													
10 120 or 277 must be specified for LF8LED5, LF8LED7 or LF8LED8													
11 LED5/7 housing and voltage must be specified with HDM option													



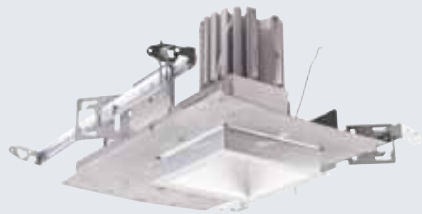
	A
8LFLED5	8-7/8"
8LFLED7	9-7/8"
8LFLED8	9-7/8"

LF4SLED

4" LiteFrame Square LED Downlights

Remote phosphor LED system in 3000K, 3500K, 4000K

ARCHITECTURAL



LF4SLED



FEATURES

- Light Engine utilizes Philips Fortimo remote phosphor technology for controlled color consistency fixture to fixture
- Universal 120-277V high efficiency LED driver with 0-10V dimming standard
- Shipped with pre-installed Light Commercial bar hangers. (See below for optional Commercial grade bar hangers)
- Minimum 50,000 hour at 70% lumen maintenance system life
- ENERGY STAR qualified
- Photometrics tested per IESNA-LM-79-2008 standards
- Non-IC rated. Suitable for wet locations and through wiring (EMR is damp location, US only)
- Luminaires are certified by a National Recognized Testing Lab (NRTL), either UL or CSA.

ORDERING INFORMATION

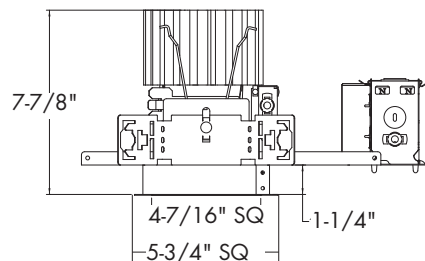
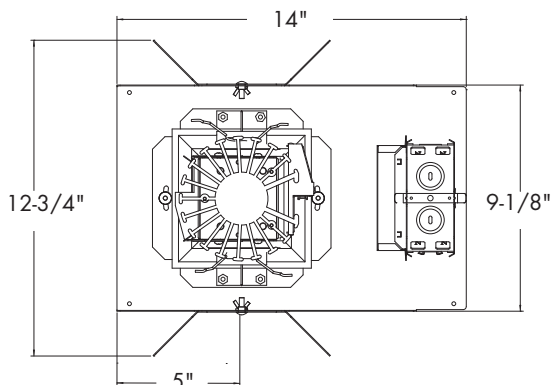
EXAMPLE: LF4SLED-4SQLED5 30K WHWT

LF4SLED		-	4SQLED5	30K		WH	WT	-	
HOUSING	OPTIONS		TRIM	LED COLOR TEMP		REFLECTOR COLORS	REFLECTOR OPTIONS		ACCESSORIES
LF4SLED 4" High Efficacy LED Housing with 0-10V Dimming to 10% LF4SLED5⁸ 4" LED Housing for use with 4SQLED5 trim and HDM driver LF4SLED7⁸ 4" LED Housing for use with 4SQLED7 trim and HDM driver	WW^{2,7} Wall Wash EMR⁶ Emergency Battery Pack with remote test switch and indicator light WIH WiHUBB [®] Enabled HDM⁸ Lutron Series A Driver. Hi-Lume 3 wire or Eco-System dimming to 1%		4SQLED5³ 4" Open Reflector/Light Engine Assembly, 1100 lumen module 4SQLED7⁴ 4" Open Reflector/Light Engine Assembly, 2000 lumen module	30K 3000 Kelvin, 80 CRI 35K 3500 Kelvin, 80 CRI 40K 4000 Kelvin, 80 CRI		Blank Clear Alzak CG Champagne Gold Alzak BL Black Alzak WE Wheat Alzak LW Light Wheat Alzak PW Pewter Alzak WH¹ White Paint	CL Regressed clear lens PL Regressed prismatic lens DL Regressed diffuse lens WT White Trim WW^{2,7} Wall Wash		B24 Set of two (2) 24" bar hangers for T-bar ceilings B6 Set of two (2) bar hangers for ceiling joist up to 24" centers LG15^{5,9} Dual-Lite 100 VA Surface Mount LiteGear Emergency Lighting Inverter LG25^{5,9} Dual-Lite 250 VA Surface Mount LiteGear Emergency Lighting Inverter
	VOLTAGE			REFLECTOR FINISH					
	Blank 120-277V 120⁸ 120V 277⁸ 277V			Blank Alzak Semi-Diffuse					

NOTES

- ¹ Requires WT option
- ² WW option must be on both the housing and the trim
- ³ Philips Fortimo 1100Lm LED module
- ⁴ Philips Fortimo 2000Lm LED module
- ⁵ See spec sheet or www.prescolite.com for LiteGear Compatibility Matrix
- ⁶ Damp location listed
- ⁷ Comes standard with diffuse lens
- ⁸ LF4SLED5/7 and voltage must be specified with HDM option
- ⁹ Not compatible with EMR

*Please refer to specification sheet for wall wash line art.



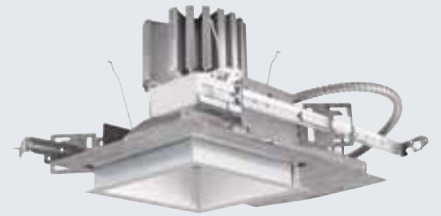
LF6SQLED

6" LiteFrame Square LED Downlights

Remote phosphor LED system in 3000K, 3500K, 4000K

FEATURES

- Light Engine utilizes Philips Fortimo remote phosphor technology for controlled color consistency fixture to fixture
- Universal 120-277V high efficiency LED driver with 0-10V dimming standard
- Shipped with pre-installed Light Commercial bar hangers. (See below for optional Commercial grade bar hangers)
- Minimum 50,000 hour at 70% lumen maintenance system life
- ENERGY STAR qualified
- Photometrics tested per IESNA-LM-79-2008 standards
- Non-IC rated. Suitable for wet locations and through wiring (Damp location, US only for EM)
- Luminaires are certified by a National Recognized Testing Lab (NRTL), either UL or CSA.



LF6SQLED



ARCHITECTURAL

ORDERING INFORMATION

EXAMPLE: LF6SQLED-6SQLED5 30K WHWT

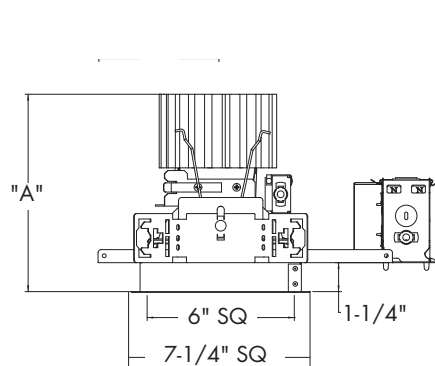
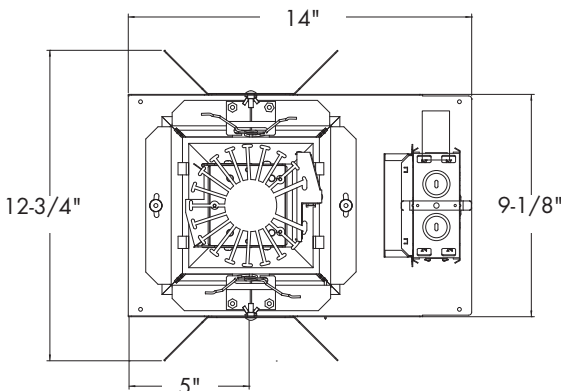
LF6SQLED		-	6SQLED5	30K		WH	WT	-	
----------	--	---	---------	-----	--	----	----	---	--

HOUSING	OPTIONS	TRIM	LED COLOR TEMP	REFLECTOR COLORS	REFLECTOR OPTIONS	ACCESSORIES
LF6SQLED 6" High Efficacy LED Housing with 0-10V Dimming to 10%. For 1100 or 2000 Lumen module	WW ² Wall Wash EMR ^{6,11} Emergency Battery Pack with remote test switch and indicator light EM ^{6,9,10,11} Emergency Back Up with Integral Switch WIH WiHUBB® Enabled HDM ¹⁶ Lutron Series A Driver. Hi-Lume 3 wire or Eco-system dimming to 1%	6SQLED5 ³ 6" Open Reflector/ Light Engine Assembly, 1100 lumen module 6SQLED7 ⁴ 6" Open Reflector/ Light Engine Assembly, 2000 lumen module 6SQLED8 ¹² 6" Open Reflector/ Light Engine Assembly, 2800 lumen module	30K 3000 Kelvin, 80 CRI 35K 3500 Kelvin, 80 CRI 40K 4000 Kelvin, 80 CRI	Blank Clear Alzak CG Champagne Gold Alzak BL Black Alzak WE Wheat Alzak LW Light Wheat Alzak PW Pewter Alzak WH ¹ White Paint	CL Regressed clear lens PL Regressed prismatic lens DL Regressed diffuse lens WT White Trim WW ^{2,8,14} Wall Wash EM ^{10,11} Emergency Back Up with Integral Switch	B24 Set of two(2) 24" bar hangers for T-bar ceilings B6 Set of two (2) bar hangers for ceiling joist up to 24" centers LG1S ^{5,15} Dual-Lite 100 VA Surface Mount LiteGear Emergency Lighting Inverter LG2S ^{5,15} Dual-Lite 250 VA Surface Mount LiteGear Emergency Lighting Inverter
LF6SQLED5 ^{7,16} 6" LED Housing for use with 6SQLED5 trim and HDM driver	VOLTAGE Blank ¹³ 120-277V 120 ^{7,16} 120V 277 ^{7,16} 277V		REFLECTOR FINISH Blank Alzak Semi-Diffuse			
LF6SQLED7 ^{7,16} 6" LED Housing for use with 6SQLED7 trim and HDM driver						
LF6SQLED8 ⁷ 6" High Efficacy LED Housing with 0-10V Dimming to 10%. For 2800 Lumen module.						

NOTES

- ¹ Requires WT option
- ² WW option must be on both the housing and the trim
- ³ Philips Fortimo 1100Lm LED module, use LF6SQLED housing
- ⁴ Philips Fortimo 2000Lm LED module, use LF6SQLED housing
- ⁵ See spec sheet or www.prescolite.com for LiteGear Compatibility Matrix
- ⁶ Damp location listed
- ⁷ 120 or 277 must be selected for LF6SQLED8
- ⁸ Comes standard with diffuse lens
- ⁹ Not for use with wall wash or lensed trims. Use EM trims only.
- ¹⁰ EM option must be on both the housing and trim
- ¹¹ Not available with LED8
- ¹² Philips Fortimo 2800Lm module, use LF6SQLED8 housing
- ¹³ Leave blank for LF6SQLED
- ¹⁴ Not available with EM option
- ¹⁵ Not available with EMR option
- ¹⁶ LF6SQLED5/7 housing and voltage must be specified with HDM option

*Please refer to specification sheet for wall wash line art.



	"A"
LF6SQLED5	7-1/8"
LF6SQLED7	8-1/8"
LF6SQLED8	8-1/8"



MD8LED

8" High Lumen LED Downlight

120V-277V High Output

ARCHITECTURAL



MD8LED



FEATURES

- Light Engine with integral heat sink provides excellent thermal management and a minimum of 50,000 hours at 70% lumen maintenance
- Utilizes Nichia LEDs. Color consistency 3 SCDM
- Up to 40°C (104°F) Ambient Conditions
- 4 Beam Spreads- 25°, 35°, 45°, 55°
- Up to 75 lumens/per watt
- Photometrics tested per IESNA-LM-79-2008 standards.
- Luminaires are certified by a National Recognized Testing Lab (NRTL), either UL or CSA

ORDERING INFORMATION

EXAMPLE: MD8LED12L 35K8- 8MD12LWFL45WCCL-B24

MD8LED	12L	35K	8				8MD	12L	WFL45		WC	CL		B24
--------	-----	-----	---	--	--	--	-----	-----	-------	--	----	----	--	-----

HOUSING
MD8LED 8" High Output LED Housing

LED COLOR TEMP
27K 2700 Kelvin
30K 3000 Kelvin

CRI
8 80+ CRI

OPTIONS
Blank Standard 0-10V dimming
HDM Lutron Series A 3 Wire/ EcoSystem Dimming
2DM Lutron Series A Trailing Edge Dimming (120v only)
WIH WiHUBB enabled

TRIM APERTURE
8MD 8" Alzak Reflector

BEAM ANGLE
MD25 Nominal 25 Degree Cutoff
FL35 Nominal 35 Degree Cutoff
WFL45 Nominal 45 Degree Cutoff
XFL55 Nominal 55 Degree Cutoff

REFLECTOR COLORS
Blank Clear Alzak
CG Champagne Gold Alzak
BL Black Alzak
WE Wheat Alzak
LW Light Wheat Alzak
PW Pewter Alzak
BC¹ Painted Black Cone
WC¹ Painted White Cone

REFLECTOR OPTIONS
CL Clear Lens over LEDs (wet location)
SL Solite Softening Lens over LEDs (wet location)
WT Painted White Flange
BT Painted Black Flange

ACCESSORIES

B24 Set of two (2) 24" bar hangers for T-bar ceilings
B6 Set of two (2) bar hangers for ceiling joist up to 24" centers

SCA8D Sloped ceiling adapter

OUTPUT
3L² 3000 Delivered Lumens
6L² 6000 Delivered Lumens
9L² 9000 Delivered Lumens
12L² 12000 Delivered Lumens

35K 3500 Kelvin
40K 4000 Kelvin
50K 5000 Kelvin

VOLTAGE
Blank 120V-277V

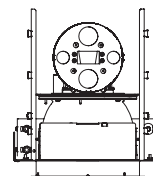
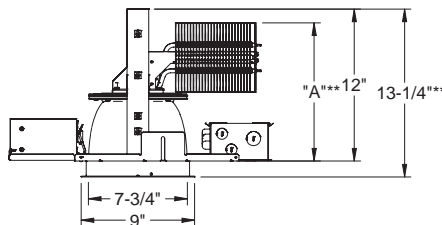
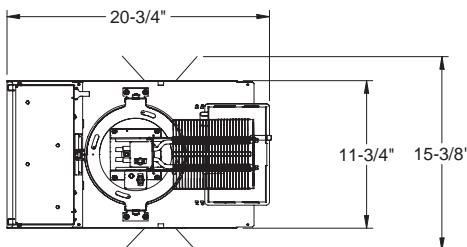
OUTPUT
3L² Suitable for 3000 Lumen Housing
6L² Suitable for 6000 Lumen Housing
9L² Suitable for 9000 Lumen Housing
12L² Suitable for 12000 Lumen Housing

REFLECTOR FINISH
Blank Specular
SS Semi-specular
MFC American Matte™



NOTES

- ¹ Must specify either WT or BT for painted cone
- ² Housing and reflector output must be consistent



REFLECTOR*	HEIGHT (A)
25°	18"
35°	15"
45°	11"
55°	10"

*WITH LENS ASSEMBLY
**Dimension "A" may or may not be limiting vertical dimension depending upon chosen reflector.

INTEGRAL EMER/DIMMING



Integral Emergency

- Specify "EM" option for integral LED/switch or "EMR" for remote LED/switch on select Prescolite downlights
- Premium sealed nickel cadmium battery with a life expectancy of 7-10 years
- Provides 90 minutes of backup power
- Two-foot conduit enclosed leads provided
- 22 gauge steel housing
- UL 924 Listed – damp location
- Exceeds NEC and NFPA requirements
- Dual voltage (120V and 277V)
- 24-hour charge time

EM Features

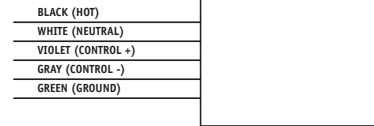
- Compatible with LiteFrame LED Series Downlights
- 1100 and 2000 Lumen Module
- 4", 6", 8"

Dimming Options:

Prescolite offers a variety of dimming options for easy specification and system flexibility. These options are pre-engineered as standard options using the catalog number suffixes indicated below. Additional dimming choices on other products are also available on an engineered-to-order basis (contact quotations for an ETO quote request).

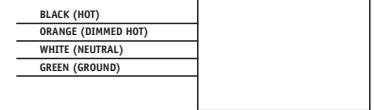
DM

General Dimming
100% to 10%
4-wire, 0-10V control
120V or 277V

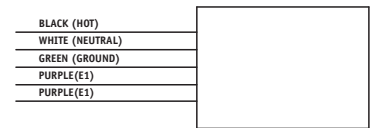


HDM

Lutron® Hi-Lume®
100% to 1%
3-wire, line voltage control
Specify 120V or 277V

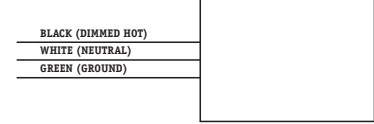


Lutron EcoSystem
Digital Dimming
100% to 1%



2DM

Lutron® Tu-Wire®
100% to 1%
2-wire, line voltage control
120V



*Prescolite reserves the right to change ballast providers at any time

6" DECORATIVE TRIMS

6" Round Architectural Elements

One and Two Level Architectural Elements Designed for LED and Recessed Downlights

ARCHITECTURAL



FEATURES

- Open design meets the requirement of ambient lighting without sacrificing illumination levels.
- Glass elements and acrylic color accents can be mixed and matched to create thousands of unique combinations.
- Sturdy mounting flange is constructed of aluminum painted in black, white, bronze, brass, or brushed aluminum.
- For use with Prescolite® 6" LiteFrame LED Downlights.
- Signos is a fully customizable product line. Contact your Prescolite representative for more information.
- Refer to www.prescolite.com for additional options and accessories.

ORDERING INFORMATION

EXAMPLE: LF6LED-6LFLED735K-B6-SR6060

LF6LED-6LFLED735K-B6

SR6060

ELEMENTS



SR6010
Standard brushed aluminum foundation flange with glass ring.



SR6030
Standard brushed and painted brass foundation flange and frosted glass dome.



SR6045NF
Small brushed aluminum foundation flange and two frosted glass rings.



SR6055NF
Standard brushed and painted brass foundation flange and frosted glass flag and architectural armature.



SR6060
Standard brushed and painted brass foundation flange, frosted glass ring, and cobalt blue acrylic ring.



SR6070
Standard brushed aluminum foundation flange, cobalt blue acrylic ring, and frosted glass ring with cobalt blue acrylic disk.



SR6075
Standard white foundation flange, cobalt acrylic ring with frosted glass ring, brass finials and armature with cobalt blue glass cone.



SR6080NF
Small brushed aluminum foundation flange with two brushed aluminum rings.



SR6090
Standard white foundation flange, frosted glass ring with ruby red acrylic ring, and white architectural armature.



SR6095
Standard brushed aluminum foundation flange, and perforated aluminum ring with aluminum camming rings.



SR6100NF
Small white foundation flange, and white perforated aluminum ring with white camming rings.



SR6105
Standard brushed aluminum foundation flange, clear glass disc with frosted center and a aluminum camming ring.



SR6110NF
Small brushed aluminum foundation flange and clear glass disc with frosted center.



SR6115NF
Small brushed aluminum foundation flange and clear glass with aluminum camming rings.

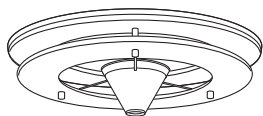


SR6120
Standard brushed aluminum foundation flange and clear glass ring.

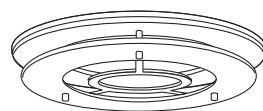
NOTES

Signos® trims should be attached after the downlights have been installed and ceilings finished

Special configurations are available. Contact your sales agent or Prescolite representative.



SR6075
Overall Height: 2-1/2"
Flange Diameter: 9-1/8"



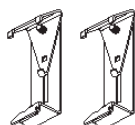
SR6090
Overall Height: 2"
Flange Diameter: 9-1/8"



Dimensions
Aperture: Nominal 6"

INSTALLATION FEATURES

Sky twist mounting brackets snap onto Prescolite® plaster flange for easy trim mounting. Brackets are equipped with safety wire to secure trim to housing. Trim safety wire allows product to be relamped without having to remove trim from ceiling. Mounting brackets can be installed from below ceiling.



Sky Twist
Mounting Brackets



1 Brackets snap onto plaster flange for easy trim mounting



2 Safety wire keeps trim secure to housing



3 Twist to lock in place

8" DECORATIVE TRIMS

8" Round Architectural Elements

One and Two Level Architectural Elements Designed for LED and Recessed Downlights

FEATURES

- Open design meets the requirement of ambient lighting without sacrificing illumination levels.
- Glass elements and acrylic color accents can be mixed and matched to create thousands of unique combinations.
- Sturdy mounting flange is constructed of aluminum painted in black, white, bronze, brass, or brushed aluminum.
- For use with Prescolite® 8" LiteFrame LED downlights.
- Signos is a fully customizable product line. Contact your Prescolite® representative for more information.
- Refer to www.prescolite.com for additional options and accessories.



SR1060

ARCHITECTURAL

ORDERING INFORMATION

EXAMPLE: LF8LED8-8LFLED8-B24-SR1010

LF8LED8-8LFLED8-B24

SR1010

ELEMENTS



SR1005
Black foundation flange, frosted glass ring and short spacers.



SR1010
Brushed aluminum foundation flange, with frosted glass ring and long spacers.



SR1015
White foundation flange with sloped frosted glass ring.



SR1020
White foundation flange and cobalt blue acrylic accent ring with sloped frosted glass ring.



SR1025
Brushed and painted brass foundation flange and a green acrylic disk with sloped frosted glass ring.



SR1030
Brushed and painted brass foundation flange with frosted acrylic dome.



SR1035
Black foundation flange with cobalt blue acrylic cut dome.



SR1040
Brushed and painted brass foundation flange, sloped glass ring, and dropped armature with frosted cone.



SR1045
Brushed aluminum foundation flange with two frosted glass rings.



SR1055
Brushed aluminum foundation flange, frosted glass ring, cobalt blue acrylic disk with a frosted glass ring and architectural armature.



SR1060
Brushed and painted brass foundation flange, frosted glass ring, and a cobalt blue acrylic ring with a frosted glass ring.



SR1065
Bronze foundation flange, frosted glass ring, emerald green acrylic ring with a frosted glass ring and architectural armature.



SR1070
Brushed aluminum foundation flange with cobalt blue acrylic ring, and frosted glass ring with a cobalt blue acrylic disk.



SR1085
Black foundation flange, black aluminum ring, and architectural armature.

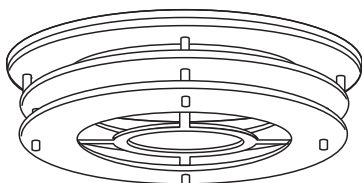


SR1090
White foundation flange, frosted glass ring with red acrylic ring and architectural armature.

NOTES

Signos® trims should be attached after the downlights have been installed and ceilings finished

Special configurations are available. Contact your sales agent or Prescolite representative.



SR1065
Overall Height: 3-7/8"
Flange Dimension: 12"

Dimensions
Aperture: Nominal 8"

COMMERCIAL Lighting in commercial buildings is responsible for a large part of electricity consumption. Energy efficiency, performance and long-life are features that end users, architects and lighting specifiers look for when designing and maintaining a variety of commercial environments – and Prescolite’s products are designed to meet these needs.



LC6LED is the newest addition to the LiteFrame family and provides the energy efficiency, performance, and long life of our high quality LED downlights at a price comparable to equivalent compact fluorescent fixtures.

This LiteFrame Commercial LED uses either 36, 54, or 72 low power Nichia LEDs - allowing optimal thermal management by effectively spreading heat over a larger area and eliminating hot spots.

0-10V DIMMING AVAILABLE
ENERGY STAR QUALIFIED

**COMPATIBLE WITH
PRESCOLITE SLOPED
CEILING ADAPTERS**

**1000-1600 LUMENS
DELIVERED**



**PRE-WIRED J-BOX WITH SNAP-ON COVER FOR EASY ACCESS
AND INSTALLATION**

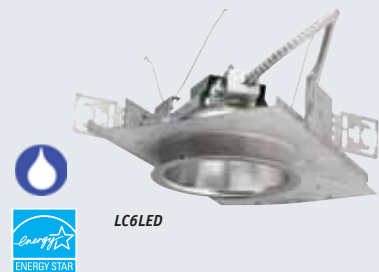
LC6LED

6" LiteFrame Commercial LED Downlights

LED system in 2700K, 3000K, 3500K, 4000K

FEATURES

- Light Engine utilizes Nichia LEDs for controlled color consistency fixture to fixture
- 1000-1600 Lumens delivered
- Glare free optical control
- Shipped with pre-installed Light Commercial bar hangers. (See below for optional Commercial grade bar hangers)
- ENERGY STAR Qualified
- Minimum 50,000 hour at 70% lumen maintenance system life
- Photometrics tested per IESNA-LM-79-2008 standards
- Non-IC rated. Suitable for wet locations and through branch wiring
- Available with exclusive wiHUBB technology preinstalled
- Luminaires are certified by a National Recognized Testing Lab (NRTL), either UL or CSA.



COMMERCIAL

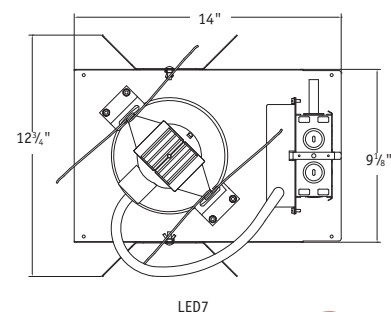
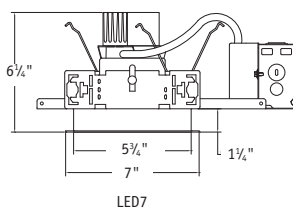
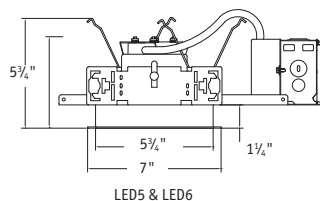
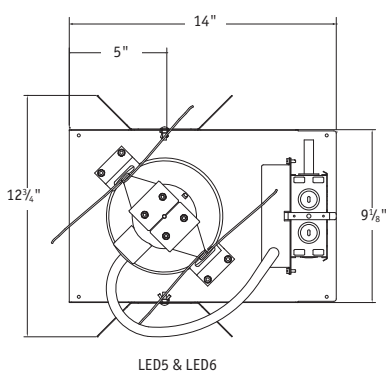
ORDERING INFORMATION

EXAMPLE: LC6LED120-6LCLED735K8WHWT

LC6LED	120	-	6LCLED	7	35K	8		WH	WT	-	
HOUSING	VOLTAGE		TRIM		LED COLOR TEMP	CRI		REFLECTOR COLORS			ACCESSORIES
LC6LED 6" LED Housing	120 120V 277 120V		6LCLED 6" Open Reflector/ Light Engine Assembly,		27K 2700 Kelvin 30K 3000 Kelvin 35K 3500 Kelvin 40K 4000 Kelvin	8 80+ CRI		WH ¹ White Paint			B24 Set of two(2) 24" bar hangers for T-bar ceilings B6 Set of two (2) bar hangers for ceiling joist up to 24" centers LG1S ² Dual-Lite 100 VA Surface Mount LiteGear Emergency Lighting Inverter LG1R ² Dual-Lite 100 VA Recessed Mount LiteGear Emergency Lighting Inverter LG1T ² Dual-Lite 100 VA Recessed Ceiling T-Grid Mount LiteGear Emergency Lighting Inverter LG2S ² Dual-Lite 250 VA Surface Mount LiteGear Emergency Lighting Inverter SCA6D_ Sloped ceiling adapter
	HOUSING OPTION		OUTPUT			REFLECTOR FINISH		REFLECTOR OPTIONS			
	Blank No Dimming DM 0-10V dimming to 10% WIH wiHUBB [®] Enabled		5 Nominal 1000 lumens delivered 6 Nominal 1400 lumens delivered 7 Nominal 1600 lumens delivered			Blank Alzak Semi-Diffuse		WT White Trim			

NOTES

- ¹ Requires WT option
- ² See spec sheet or www.prescolite.com for LiteGear Compatibility



LIGHT COMMERCIAL Prescolite's extensive lighting line includes products that are ideal for residential and light commercial applications for both new construction and retrofitting opportunities. These innovative solutions offer excellent glare control and optical cutoff, color quality and warm white temperatures to increase visual comfort in these interior settings.



With up to 1000 delivered lumens, using less than 12 watts of power. LB6LEDA features excellent glare control and optical cutoff, color quality and a warm white color temperature.

**DIMMABLE TO
15% WITH MOST
STANDARD DIMMERS**



**INTEGRAL ALUMINUM HEAT SINK TO MAXIMIZE LIFE EXPECTANCY
AND LUMEN OUTPUT**

ENERGY STAR QUALIFIED

**RETROFIT APPLICATIONS WITH COMPATIBLE 6" HOUSINGS FROM
PRESCOLITE OR OTHERS USING THE UNIVERSAL SCREW BASE ADAPTER**

FT6QLIC/LB6LEDA

6" FireTight LED QuickLink
California Title 24 Compliant & IC Rated

FEATURES

- UL Classified to maintain fire ratings of one hour or less for all UL P200 and P500 series fire-rated ceiling/floor assemblies
- UL Classified to maintain fire ratings of two hours or less in all UL L500, D500, G500, D200, and L200 series fire-rated ceiling/floor assemblies
- Energy saving LED light engine with 12-14-watt input power
- California Title 24 compliant QuickLink connectors on housings and trims
- Lumen output and distribution comparable up to 75W PAR incandescent lamp.
- Photometrics tested per IESNA LM-79-2008 standards
- 60,000 hour life at 70% lumen maintenance per TM-21
- Heat sink to maximize life expectancy and lumen output.
- Excellent glare control and optical cutoff
- Dimmable to 15% with most standard dimmers
- Suitable for through wiring. IC/Non-IC, AirShield rated. Wet location with LB6LEDA.

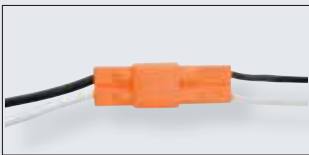
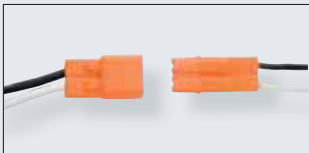


LIGHT COMMERCIAL

ORDERING INFORMATION

EXAMPLE: FT6QLIC-LB6LEDA8L30K WH

FT6QLIC		LB6LEDA8L		30K		WH			
HOUSING	TRIM	LED COLOR TEMP	CRI	TRIM COLOR	ACCESSORIES				
FT6QLIC 6" FireTight rated IC LED housing for fire-rated new constructions	LB6LEDA8L ¹ 6" 800 Lumen LED module with dimming to 15% LB6LEDA10L ¹ 6" 1000 Lumen LED module with dimming to 15%	30K 3000 Kelvin 35K 3500 Kelvin	Blank 80+ CRI	WH White BL Black Z Zet BA Brushed Aluminum BZ Bronze	LG1S Dual-Lite 100 VA Surface Mount LiteGear Emergency Lighting Inverter LG1R Dual-Lite 100 VA Recessed Mount LiteGear Emergency Lighting Inverter LG1T Dual-Lite 100 VA Recessed Ceiling T-Grid Mount LiteGear Emergency Lighting Inverter LG2S Dual-Lite 250 VA Surface Mount LiteGear Emergency Lighting Inverter				

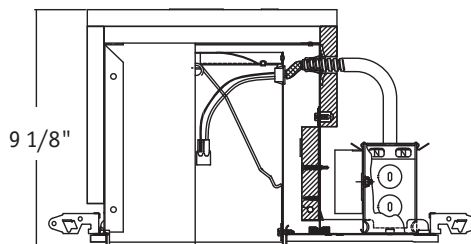
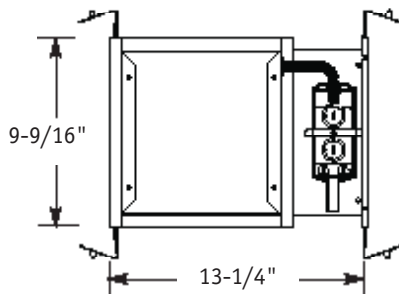


QuickLink: California Title 24 Compliant Connectors

QUICKLINK trims comply with the requirements of California Title 24 by providing a plug-in power connector in place of a screw shell socket. Ideal for residential and light commercial new construction applications where the use of screw shell sockets is restricted. The LB6LEDA trim is compatible with both an Edison Base and QL base housing.

NOTES

- ¹ See trim dimensions on page 26
- ² Not available with LB6LEDA8L
- ³ See www.dual-lite.com for LiteGear Compatibility Matrix



Ceiling Cut Out: 6-7/8"

FT6QLIC

LB4LEDA

4" LED Trims

LIGHT COMMERCIAL



LB4LEDA

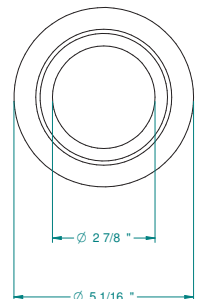
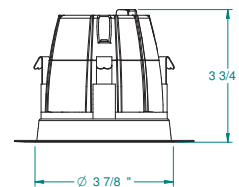
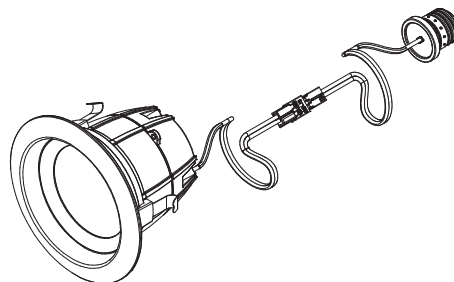
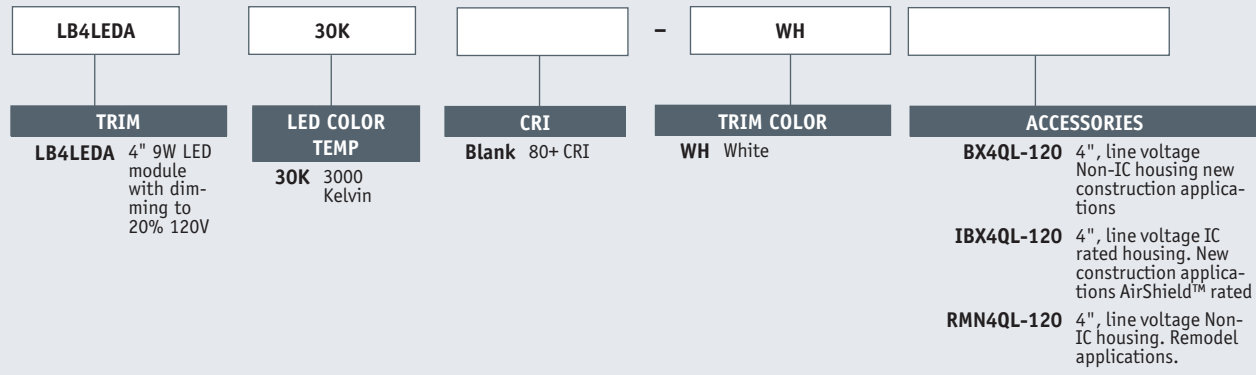


FEATURES

- Energy saving LED light engine with 9-watt input power
- Lumen output and distribution comparable to a 50W R20 incandescent lamp
- Photometrics tested per IESNA LM-79-2008 standards
- New construction with BX4QL-120, California Title 24 compliant
- Retrofit applications with compatible 4" housings using the universal screw base adapter
- Dimmable to 20% with most standard (forward or reverse phase) dimmers
- Easy installation with (3) friction spring clips and diffuse acrylic lens controls direct glare
- 50,000 hours life at 70% lumen maintenance per TM-21
- Heat sink to maximize life expectancy and lumen output
- ENERGY STAR® Qualified
- IC/Non-IC rated. Suitable for wet locations.
- Luminaires are certified by a National Recognized Testing Lab (NRTL).

ORDERING INFORMATION

EXAMPLE: LB4LEDA30K WH



BX4QL/IBX4QL/RMN4QL 120

4" LED QuickLink
California Title 24 Compliant

FEATURES

- Ideal for residential and light commercial lighting projects that require a small, concealed line-voltage source.
- RMN4QL-120 remodel housing allows for quick and easy installation into existing ceilings
- Nail included on bar hangers.
- Suitable for wet locations and through wiring
- Luminaires are certified by a National Recognized Testing Lab (NRTL), either UL or CSA



IBX4QL-120

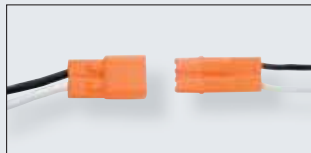


LIGHT COMMERCIAL

ORDERING INFORMATION

EXAMPLE: BX4QL-120-LB4LEDA30K WH

BX4QL-120	-	LB4LEDA	30K		WH	
HOUSING		TRIM	LED COLOR TEMP	CRI	TRIM COLOR	ACCESSORIES
BX4QL-120	4" line voltage Non-IC housing, new construction applications	LB4LEDA¹	4" LED QuickLink trim	30K 3000 Kelvin	Blank 80+ CRI	G4² Ceiling gasket for the 4" line voltage housings. Seals housing to drywall opening
IBX4QL-120	4" line voltage IC housing, new construction applications, AirShield™ rated					ICBOX Recessed enclosure for Non-IC housing in IC applications. See page 274.
RMN4QL-120	4" line voltage Non-IC housing. Remodel applications.					



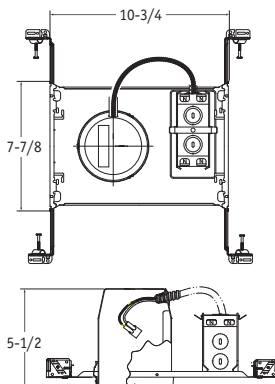
QuickLink: California Title 24 Compliant Connectors



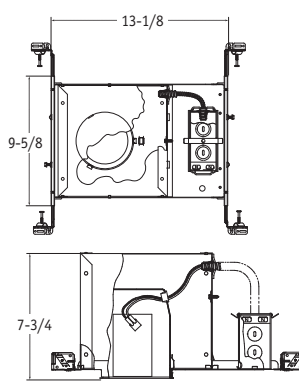
QUICKLINK trims comply with the requirements of California Title 24 by providing a plug-in power connector in place of a screw shell socket. Ideal for residential and light commercial new construction applications where the use of screw shell sockets is restricted. The LB4LEDA trim is compatible with both an Edison Base and QL base housing.

NOTES

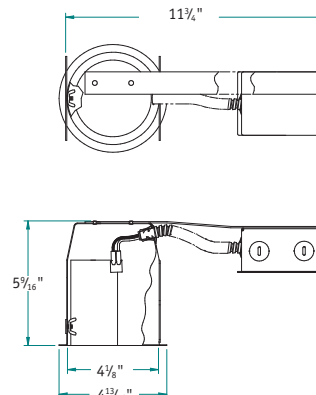
- ¹ See trim dimensions on page 24
- ² IBX4QL-120 only



Ceiling Cut Out: 4-1/2"
Maximum Ceiling Thickness: 2-1/2"
BX4QL-120



Ceiling Cut Out: 4-1/2"
Maximum Ceiling Thickness: 2-1/2"
IBX4QL-120



Ceiling Cut Out: 4-1/2"
Maximum Ceiling Thickness: 1"
RMN4QL-120



LB6LEDA

6" LED Trims

LIGHT COMMERCIAL



LB6LEDA

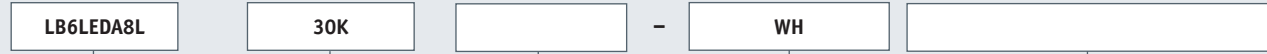


FEATURES

- Energy saving LED light engine with 12-14-watt input power
- Lumen output and distribution comparable up to 75W PAR incandescent lamp
- Photometrics tested per IESNA LM-79-2008 standards
- New construction with DBXQL, California Title 24 compliant
- Retrofit applications with compatible 6" housings using the universal screw base adapter (see below)
- Dimmable to 15% with most standard dimmers
- Easy installation with (3) friction spring clips and diffuse acrylic lens controls direct glare
- 42,000 hours life at 70% lumen maintenance per TM-21
- Heat sink to maximize life expectancy and lumen output
- ENERGY STAR[®] Qualified
- IC/Non-IC rated. Suitable for wet locations.
- Luminaires are certified by a National Recognized Testing Lab (NRTL), either UL or CSA.

ORDERING INFORMATION

EXAMPLE: LB6LEDA30K WH



TRIM

- LB6LEDA8L** 6" 800 Lumen LED module with dimming to 15% 120V
- LB6LEDA10L** 6" 1000 Lumen LED module with dimming to 15% 120V

LED COLOR TEMP

- 30K** 3000 Kelvin
- 35K¹** 3500 Kelvin

CRI

Blank 80+ CRI

TRIM COLOR

- WH** White
- BL** Black
- Z** Zet
- BA** Brushed Aluminum
- BZ** Bronze

ACCESSORIES

- LG1S** Dual-Lite 100 VA Surface Mount LiteGear Emergency Lighting Inverter
- LG1R** Dual-Lite 100 VA Recessed Mount LiteGear Emergency Lighting Inverter
- LG1T** Dual-Lite 100 VA Recessed Ceiling T-Grid Mount LiteGear Emergency Lighting Inverter
- LG2S** Dual-Lite 250 VA Surface Mount LiteGear Emergency Lighting Inverter
- DBXQL** IC/Non-IC, Airtight housing with supply wire quick connects

LB6LEDA

Compatible for use with Prescolite DBX, IBXHW, RMNICD, & FT6. Partial list of competitor IC & Non-IC housings UL classified with 6" trims includes:

Manufacturer

- Capri
- Commercial Electric
- Elco
- Emerald
- Halo
- Intense
- Jimway
- Juno
- Lithonia
- LumaPro
- Luminaire
- Nora
- Progress
- Sea Gull
- WAC

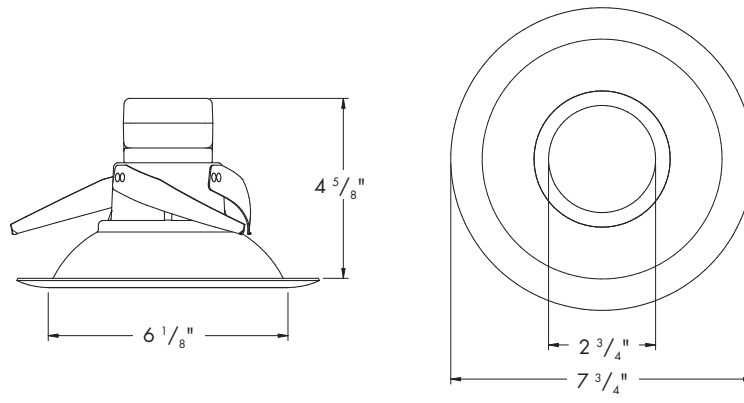
For complete list of competitor part numbers, see spec sheet at www.Prescolite.com

NOTES

¹ Not available with LB6LEDA8L

Dimmable using most 3-wire low voltage electronic switches or 2-wire circuits

* See spec sheet or www.dual-lite.com for LiteGear Compatibility Matrix



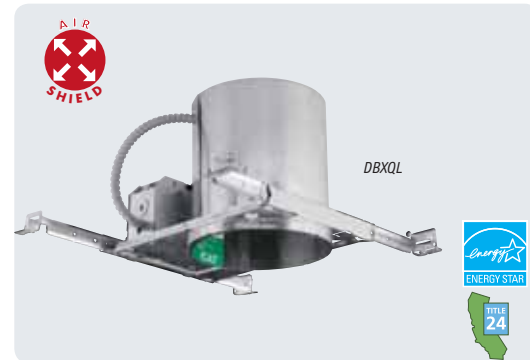
LB6LEDA

DBXQL

6" LED QuickLink
California Title 24 Compliant

FEATURES

- Energy saving LED light engine with 12-14-watt input power
- California Title 24 compliant QuickLink connectors on housings and trims
- Lumen output and distribution comparable up to 75W PAR incandescent lamp.
- Photometrics tested per IESNA LM-79-2008 standards
- 60,000 hour life at 70% lumen maintenance per TM-21
- Heat sink to maximize life expectancy and lumen output.
- Excellent glare control and optical cutoff
- Dimmable to 15% with most standard dimmers
- IC/Non-IC, AirShield rated. Wet location with LB6LEDA.
- Luminaires are certified by a National Recognized Testing Lab (NRTL), either UL or CSA.

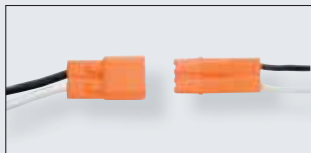


LIGHT COMMERCIAL

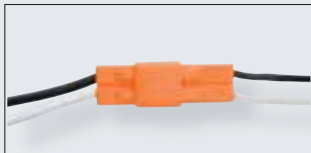
ORDERING INFORMATION

EXAMPLE: DBXQL-LB6LEDA30K WH

DBXQL	-	LB6LEDA8L	30K		WH
HOUSING		TRIM	LED COLOR TEMP	CRI	TRIM COLOR
DBXQL 6" LED QuickLink housing		LB6LEDA8L ¹ 6" 800 Lumen LED QuickLink trim LB6LEDA10L ¹ 6" 1000 Lumen LED QuickLink trim	30K 3000 Kelvin 35K 3500 Kelvin	Blank 80+ CRI	WH White BL Black Z Zet BA Brushed Aluminum BZ Bronze



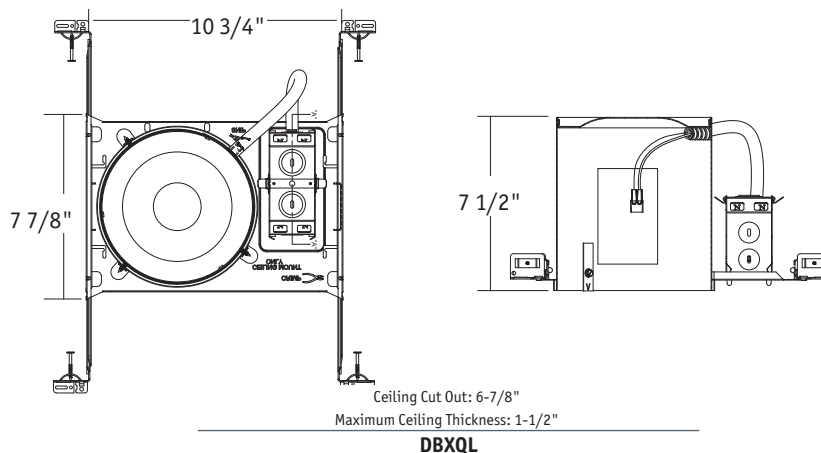
QuickLink: California Title 24 Compliant Connectors



QUICKLINK trims comply with the requirements of California Title 24 by providing a plug-in power connector in place of a screw shell socket. Ideal for residential and light commercial new construction applications where the use of screw shell sockets is restricted. The LB6LEDA trim is compatible with both an Edison Base and QL base housing.

NOTES

- ¹ See trim dimensions on page 26
- ^{*} See spec sheet or www.dual-lite.com for LiteGear Compatibility Matrix



RETROFIT

The current marketplace offers a huge potential for commercial retrofit projects. Prescolite offers unique and simple energy efficient solutions that serve as an easy, cost effective way to upgrade competitive commercial housing to more energy efficient sources in existing spaces.



RLF6LED is a 6" Remote Phosphor LED Retrofit Downlight. Retroficient is designed specifically to retrofit into ceilings with existing recessed downlight fixtures.

EASY INSTALLATION FROM BELOW THE CEILING. PERFECT FOR RETROFITTING INTO DRYWALL CEILING APPLICATIONS



ENERGY STAR QUALIFIED

LIGHT ENGINE UTILIZES REMOTE PHOSPHOR TECHNOLOGY FOR CONTROLLED COLOR CONSISTENCY FIXTURE TO FIXTURE

RLF6LED/RLF8LED

6" & 8" LED Downlights

Remote phosphor LED system in 3000K, 3500K, 4000K

FEATURES

- Light Engine utilizes Philips Fortimo remote phosphor technology for controlled color consistency fixture to fixture
- Universal design is compatible with most commercial or architectural 6" & 8" Recessed Downlights
- Easy installation from below the ceiling. Perfect for retrofitting into drywall ceiling applications
- No bar hangers required
- Minimum 50,000 hour at 70% lumen maintenance system life, over 50 lumens/watt delivered
- ENERGY STAR qualified
- Non-IC rated. Suitable for wet locations and through wiring
- Photometrics tested per IESNA-LM-79-2008 standards
- Luminaires are certified by a National Recognized Testing Lab (NRTL), either UL or CSA.



RLF6LED



RETROFIT

ORDERING INFORMATION

EXAMPLE: RLF6LED-6LFLED5 30K WH WT

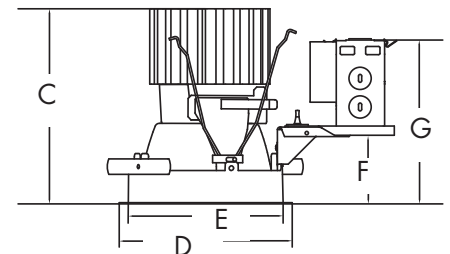
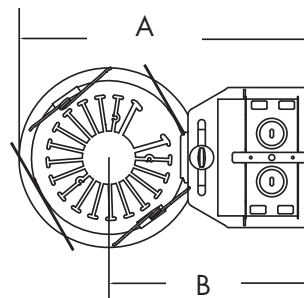
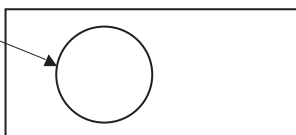
RLF6LED		-	6LFLED5	30K		WH	WT	
---------	--	---	---------	-----	--	----	----	--

HOUSING	VOLTAGE	TRIM	REFLECTOR FINISH	REFLECTOR COLORS	REFLECTOR OPTIONS	ACCESSORIES																																							
RLF6LED 6" High Efficacy LED Housing with 0-10V Dimming to 10%. For 1100 or 2000 Lumen module	Blank ⁶ 120-277V 120 ^{7,8} 120-277V 277 ^{7,8} 120-277V	6LFLED5 ⁵ 6" Open Reflector/Light Engine Assembly, 1100 lumen module 6LFLED7 ⁴ 6" Open Reflector/Light Engine Assembly, 2000 lumen module 6LFLED8 ⁵ 6" Open Reflector/Light Engine Assembly, 2800 lumen module	Blank Alzak Semi-Diffuse 30K 3000 Kelvin, 80 CRI 35K 3500 Kelvin, 80 CRI 40K 4000 Kelvin, 80 CRI	Blank Clear Alzak CG Champagne Gold Alzak BL Black Alzak WE Wheat Alzak LW Light Wheat Alzak PW Pewter Alzak WH ² White Paint	WT White Trim WF Wide Flange	RWD6 ¹ Retrofit Wide Diameter Housing Kit (6") RWD8 ¹ Retrofit Wide Diameter Housing Kit (8") LFSC6 6" reflector screw cover LFSC8 8" reflector screw cover LG1S Dual-Lite 100 VA Surface Mount LiteGear Emergency Lighting Inverter LG1R Dual-Lite 100 VA Recessed Mount LiteGear Emergency Lighting Inverter LG1T Dual-Lite 100 VA Recessed Ceiling T-Grid Mount LiteGear Emergency Lighting Inverter LG2S Dual-Lite 250 VA Surface Mount LiteGear Emergency Lighting Inverter																																							
RLF6LED5 ^{7,8} 6" LED Housing for use with 6LFLED5 trim and HDM driver	HSG. OPTIONS SD ¹ Small Diameter WIH wiHUBB ⁹ Enabled HDM ⁸ Lutron Series A Driver. Hi-Lume 3 wire or EcoSystem dimming to 1%	6LFLED5 ⁵ 6" Open Reflector/Light Engine Assembly, 1100 lumen module 6LFLED7 ⁴ 6" Open Reflector/Light Engine Assembly, 2000 lumen module 6LFLED8 ⁵ 6" Open Reflector/Light Engine Assembly, 2800 lumen module	LED COLOR TEMP 30K 3000 Kelvin, 80 CRI 35K 3500 Kelvin, 80 CRI 40K 4000 Kelvin, 80 CRI			NOTES ¹ See housing capability guide for hole diameter compatibility. ² Requires WT option ³ Philips Fortimo 1100Lm LED module, use RLF6LED or RLF8LED housing ⁴ Philips Fortimo 2000Lm LED module, use RLF6LED or RLF8LED housing ⁵ Philips Fortimo 2800Lm module, use RLF6LED8 or RLF8LED8 housing ⁶ Leave blank for RLF6LED/RLF8LED ⁷ 120 or 277 must be specified for RLF6/8LED5, 7, or 8. ⁸ RLFLED5/7 housing and voltage must be specified with HDM option ⁹ See spec sheet or www.prescolite.com for LiteGear Compatibility Matrix																																							
RLF6LED7 ^{7,8} 6" LED Housing for use with 6LFLED7 trim and HDM driver		6LFLED5 ⁵ 6" Open Reflector/Light Engine Assembly, 1100 lumen module 6LFLED7 ⁴ 6" Open Reflector/Light Engine Assembly, 2000 lumen module 6LFLED8 ⁵ 6" Open Reflector/Light Engine Assembly, 2800 lumen module	Dimensions Table																																										
RLF6LED8 ⁷ 6" High Efficacy LED Housing with 0-10V Dimming to 10%. For 2800 Lumen module		8LFLED5 ³ 8" Open Reflector/Light Engine Assembly, 1100 lumen module 8LFLED7 ⁴ 8" Open Reflector/Light Engine Assembly, 2000 lumen module 8LFLED8 ⁵ 8" Open Reflector/Light Engine Assembly, 2800 lumen module	<table border="1"> <thead> <tr> <th></th> <th>"A"</th> <th>"B"</th> <th>"C"</th> <th>"D"</th> <th>"E"</th> <th>"F"</th> <th>"G"</th> </tr> </thead> <tbody> <tr> <td>RLF6 6LFLED5</td> <td>12-3/4" - 15"</td> <td>8-7/8" - 10-3/4"</td> <td>6-3/4"</td> <td>7"</td> <td>5-3/4"</td> <td>2-1/2" - 3-3/4"</td> <td>6-1/4" - 7-1/2"</td> </tr> <tr> <td>RLF8 8LFLED5</td> <td>13-3/4" - 16"</td> <td>9-7/8" - 11-3/4"</td> <td>8-7/8"</td> <td>9"</td> <td>7-3/4"</td> <td>2-1/2" - 3-3/4"</td> <td>6-1/4" - 7-1/2"</td> </tr> <tr> <td>RLF6LED 6LFLED7/8</td> <td>12-3/4" - 15"</td> <td>8-7/8" - 10-3/4"</td> <td>7-3/4"</td> <td>7"</td> <td>5-3/4"</td> <td>2-1/2" - 3-3/4"</td> <td>6-1/4" - 7-1/2"</td> </tr> <tr> <td>RLF8LED 8LFLED7/8</td> <td>13-3/4" - 16"</td> <td>9-7/8" - 11-3/4"</td> <td>9-7/8"</td> <td>9"</td> <td>7-3/4"</td> <td>2-1/2" - 3-3/4"</td> <td>6-1/4" - 7-1/2"</td> </tr> </tbody> </table>				"A"	"B"	"C"	"D"	"E"	"F"	"G"	RLF6 6LFLED5	12-3/4" - 15"	8-7/8" - 10-3/4"	6-3/4"	7"	5-3/4"	2-1/2" - 3-3/4"	6-1/4" - 7-1/2"	RLF8 8LFLED5	13-3/4" - 16"	9-7/8" - 11-3/4"	8-7/8"	9"	7-3/4"	2-1/2" - 3-3/4"	6-1/4" - 7-1/2"	RLF6LED 6LFLED7/8	12-3/4" - 15"	8-7/8" - 10-3/4"	7-3/4"	7"	5-3/4"	2-1/2" - 3-3/4"	6-1/4" - 7-1/2"	RLF8LED 8LFLED7/8	13-3/4" - 16"	9-7/8" - 11-3/4"	9-7/8"	9"	7-3/4"	2-1/2" - 3-3/4"	6-1/4" - 7-1/2"
	"A"	"B"	"C"	"D"	"E"	"F"	"G"																																						
RLF6 6LFLED5	12-3/4" - 15"	8-7/8" - 10-3/4"	6-3/4"	7"	5-3/4"	2-1/2" - 3-3/4"	6-1/4" - 7-1/2"																																						
RLF8 8LFLED5	13-3/4" - 16"	9-7/8" - 11-3/4"	8-7/8"	9"	7-3/4"	2-1/2" - 3-3/4"	6-1/4" - 7-1/2"																																						
RLF6LED 6LFLED7/8	12-3/4" - 15"	8-7/8" - 10-3/4"	7-3/4"	7"	5-3/4"	2-1/2" - 3-3/4"	6-1/4" - 7-1/2"																																						
RLF8LED 8LFLED7/8	13-3/4" - 16"	9-7/8" - 11-3/4"	9-7/8"	9"	7-3/4"	2-1/2" - 3-3/4"	6-1/4" - 7-1/2"																																						
RLF8LED 8" High Efficacy LED Housing with 0-10V Dimming to 10%. For 1100 or 2000 Lumen module		8LFLED5 ³ 8" Open Reflector/Light Engine Assembly, 1100 lumen module 8LFLED7 ⁴ 8" Open Reflector/Light Engine Assembly, 2000 lumen module 8LFLED8 ⁵ 8" Open Reflector/Light Engine Assembly, 2800 lumen module																																											
RLF8LED5 ^{7,8} 8" LED Housing for use with 8LFLED5 trim and HDM driver		8LFLED5 ³ 8" Open Reflector/Light Engine Assembly, 1100 lumen module 8LFLED7 ⁴ 8" Open Reflector/Light Engine Assembly, 2000 lumen module 8LFLED8 ⁵ 8" Open Reflector/Light Engine Assembly, 2800 lumen module																																											
RLF8LED7 ^{7,8} 8" LED Housing for use with 8LFLED7 trim and HDM driver		8LFLED5 ³ 8" Open Reflector/Light Engine Assembly, 1100 lumen module 8LFLED7 ⁴ 8" Open Reflector/Light Engine Assembly, 2000 lumen module 8LFLED8 ⁵ 8" Open Reflector/Light Engine Assembly, 2800 lumen module																																											
RLF8LED8 ⁷ 8" High Efficacy LED Housing with 0-10V Dimming to 10%. For 2800 Lumen module		8LFLED5 ³ 8" Open Reflector/Light Engine Assembly, 1100 lumen module 8LFLED7 ⁴ 8" Open Reflector/Light Engine Assembly, 2000 lumen module 8LFLED8 ⁵ 8" Open Reflector/Light Engine Assembly, 2800 lumen module																																											

*Dimensions shown are for range of adjustability.

ORDERING GUIDELINES	6 INCH		8 INCH	
	MIN	MAX	MIN	MAX
REQUIRES SD HOUSING OPTION	5-15/16	6-1/8	7-15/16	8-1/8
ALL STANDARD HOUSINGS	6-1/8	6-1/2	8-1/8	8-3/4
REQUIRES RWD KIT ACCESSORY & WF REFLECTOR OPTION	6-1/2	6-7/8	8-3/4	9-1/8

Dimensions shown are for the diameter of the frame flange at it's narrowest point



RLC6LED

6" LED Retrofit Downlights

LED system in 2700K, 3000K, 3500K, 4000K

RETROFIT



RLC6LED



FEATURES

- Light Engine utilizes Nichia LEDs for controlled color consistency fixture to fixture
- 1000-1600 Lumens delivered
- Glare free optical control
- Universal design is compatible with most commercial or architectural 6" Recessed Downlights
- Easy installation from below the ceiling. Perfect for retrofitting into drywall ceiling applications
- No bar hangers required
- ENERGY STAR Qualified
- Minimum 50,000 hour at 70% lumen maintenance system life, over 50 lumens/watt delivered
- Non-IC rated. Suitable for wet locations and through wiring
- Photometrics tested per IESNA-LM-79-2008 standards
- Luminaires are certified by a National Recognized Testing Lab (NRTL), either UL or CSA.

ORDERING INFORMATION

EXAMPLE: RLC6LED120-6LCLED735K8 WH WT

RLC6LED	120	-	6LCLED	7	35K	8		WH	WT	-
---------	-----	---	--------	---	-----	---	--	----	----	---

HOUSING

RLC6LED 6" LED Housing

VOLTAGE

120 120V
277 120V

TRIM

6LCLED 6" Open Reflector/ Light Engine Assembly,

LED COLOR TEMP

27K 2700 Kelvin
30K 3000 Kelvin
35K 3500 Kelvin
40K 4000 Kelvin

CRI

8 80+ CRI

REFLECTOR COLORS

WH¹ White Paint

ACCESSORIES

RWD6² Retrofit Wide Diameter Housing Kit (6")

LG1S³ Dual-Lite 100 VA Surface Mount LiteGear Emergency Lighting Inverter

LG1R³ Dual-Lite 100 VA Recessed Mount LiteGear Emergency Lighting Inverter

LG1T³ Dual-Lite 100 VA Recessed Ceiling T-Grid Mount LiteGear Emergency Lighting Inverter

LG2S³ Dual-Lite 250 VA Surface Mount LiteGear Emergency Lighting Inverter

HOUSING OPTION

Blank No Dimming
DM 0-10V dimming to 10%
SD Small Diameter

OUTPUT

5 Nominal 1000 lumens delivered
6 Nominal 1400 lumens delivered
7 Nominal 1600 lumens delivered

REFLECTOR FINISH

Blank Alzak Semi-Diffuse

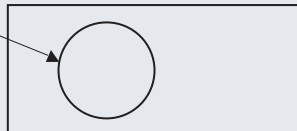
REFLECTOR OPTIONS

WT White Trim
WF Wide Flange

HOUSING COMPATIBILITY GUIDE

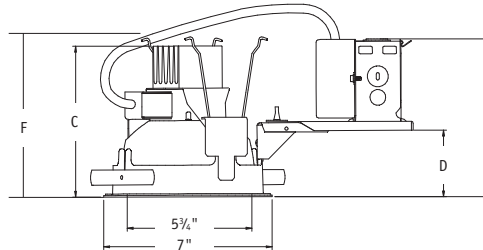
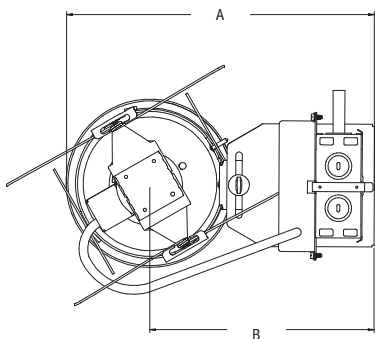
ORDERING GUIDELINES	6 INCH	
	MIN	MAX
REQUIRES SD HOUSING OPTION	5-15/16	6-1/8
ALL STANDARD HOUSINGS	6-1/8	6-1/2
REQUIRES RWD KIT ACCESSORY & WF REFLECTOR OPTION	6-1/2	6-7/8

Dimensions shown are for the diameter of the frame flange at it's narrowest point



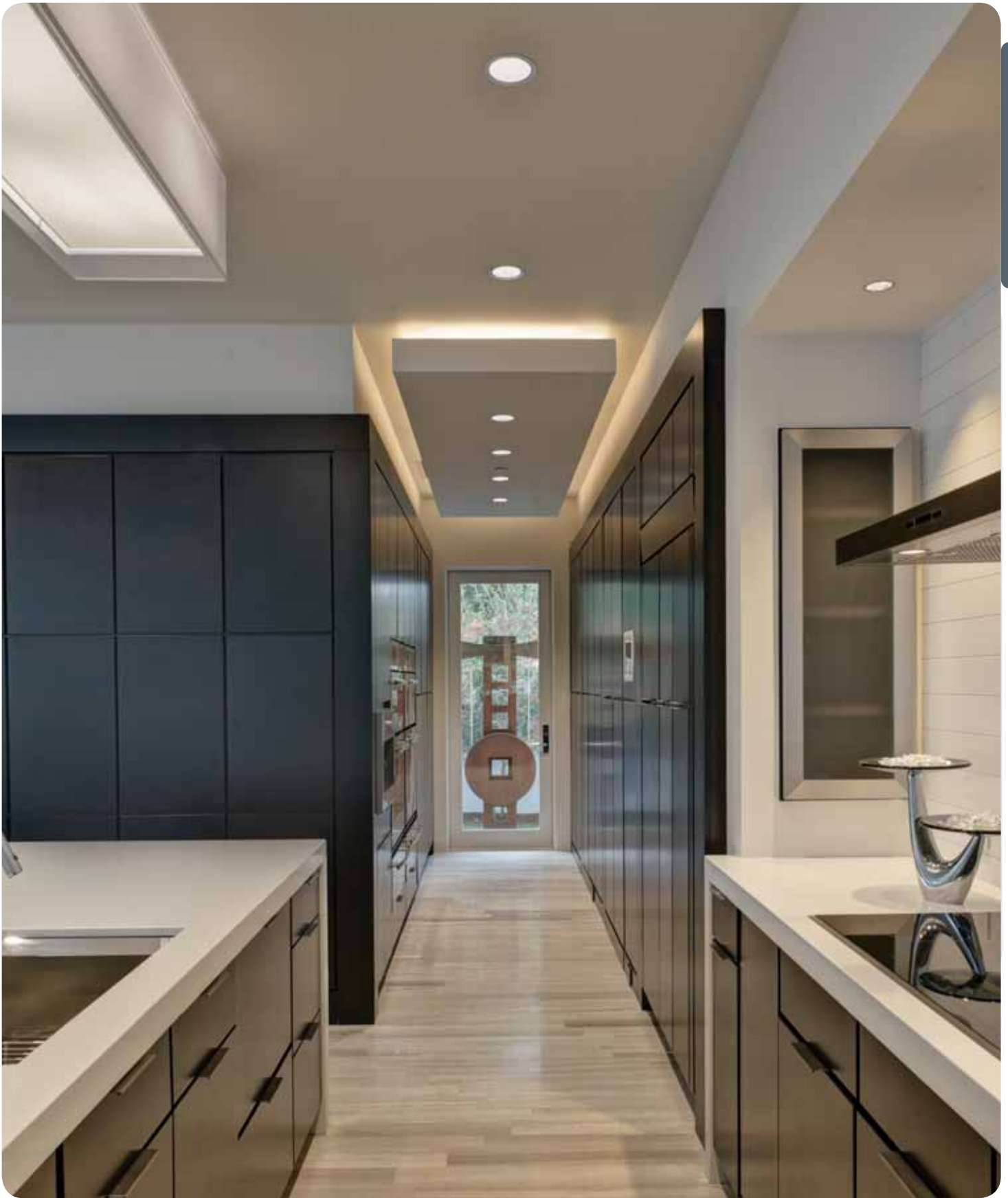
NOTES

- ¹ Requires WT option
- ² See housing compatibility guide for hole diameter compatibility
- ³ See www.dual-lite.com for LiteGear Compatibility



	A	B	C	D	E	F
RLC6LED5/6	12-3/4"-15"	8-7/8"- 10-3/4"	4-3/4"	2-1/2"- 3-3/4"	6-1/4"- 7-1/2"	5-3/4"
RLC6LED7	12-3/4"-15"	8-7/8"- 10-3/4"	6-1/4"	2-1/2"- 3-3/4"	6-1/4"- 7-1/2"	5-3/4"





CYLINDERS, STEPLIGHTS, & TRACK

Prescolite rounds out its comprehensive lighting offering with LED, CFL and HID cylinders, LED and CFL steplights and track lighting solutions in a variety of sources.



Prescolite's 6" LED cylinders provide an innovative way to achieve illumination patterns on vertical surfaces and paths of regress. Available in wall, pendant, and surface mount with housings in a variety of finishes.

WALL, SURFACE OR PENDANT MOUNTED SUITABLE FOR A VARIETY OF APPLICATIONS



WET LISTED

UNIQUE LIGHT ENGINE OPTICS PRODUCE UNIFORM DISTRIBUTION AND 45° CUTOFF USING PRESCOLITE'S PATENTED AMERICAN MATTE™ FINISH

HIGH EFFICIENCY ELECTRONIC LED DRIVER WITH 50,000 HOUR LIFE EXPECTANCY

LED CYLINDERS

4" & 6" LED Cylinders

LED Array with (6) or (10) high-brightness LEDs

4" FEATURES

- Surface, Pendant, and Wall Mount 6W down, and 6W up/6W down optics meet a variety of applications
- Photometrics tested per IESNA-LM-79-2008 standards
- Extruded aluminum housing available in smooth or finned (wall mount only)
- Suitable for wet locations, fully gasketed
- Luminaires are certified by a National Recognized Testing Lab (NRTL), either UL or CSA.

6" FEATURES

- Unique light engine design to produce uniform distribution by using Prescolite's Patented (U.S. Patent No. 6,254, 256) American Matte™ finish
- Provides superior brightness control
- Suitable for wet locations
- Luminaires are certified by a National Recognized Testing Lab (NRTL), either UL or CSA.



CYLINDERS

LD4 ORDERING INFORMATION EXAMPLE: LD4SUDWZ				
LD4	S	UD	W	Z
HOUSING LD4 4" LED cylinder	HOUSING STYLE S Smooth F ¹ Finned	MOUNTING/DISTRIBUTION D Wall mount-Down UD Wall mount-Up/Down P Pendant S Surface	LED COLOR W White B Blue R Red C Cyan G Green A Amber	CYLINDER FINISH BL Black BZ Bronze WH White Z Zet (Metallic silver) Special Finishes See pages 296-297

NOTES

- ¹ Not available with pendant or surface mount
- ² Custom stem lengths available in 1/2" increments

LD6LED ORDERING INFORMATION EXAMPLE: LD6LED3PW35K8DMSSBLZ										
LD6LED	3	P	W	35K	8		DM	SS	BL	Z
HOUSING LD6LED 6" LED cylinder	LED GENERATION 3 14W, 700 Lumens LED 4 28W, 1100 Lumens LED	MOUNTING/DISTRIBUTION D Wall mount-Down P Pendant S Surface	LED COLOR W White	LED COLOR TEMP 27K 2700 Kelvin 35K 3500 Kelvin 40K 4000 Kelvin 50K 5000 Kelvin	CRI 8 Nominal 80+ CRI	HOUSING OPTION DM 0-10V dimming to 20% VOLTAGE Blank 120V 277V 120/277 Volt	REFLECTOR FINISH Blank Specular SS Semi-Specular	REFLECTOR COLOR Blank Clear Alzak CG Champagne Gold Alzak WE Wheat Alzak LW Light Wheat PW Pewter Alzak BL Black Alzak WH White Paint	CYLINDER FINISH BL Black WH White Z Zet (Metallic silver) BA Brushed Aluminum BZ Bronze Special Finishes See pages 296-297	
BEAM ANGLE										
Blank Vacuum metalized reflector with 45° cutoff										
SP18 Lensed optic with 18° spot distribution and Zet painted faceplate										
MD25 Lensed optic with 25° medium distribution and Zet painted faceplate										
FL35 Lensed optic with 35° wide distribution and Zet painted faceplate										

NOTES

- ¹ LD6LED3 120V only (consult technical support for availability)



Pendant Mount
4-1/4" Dia. x 6-1/4", 20-1/4" O.A.
6" Dia. x 12", 27-1/2" O.A.



Down Wall Mount
4-1/4" Dia. x 6-1/4" H x 7" D
6" Dia. x 12" H x 8-7/8" D



Up/Down Wall Mount
4-1/4" Dia. x 12" H x 7" D



Ceiling Mount
4-1/4" Dia. x 7-1/2" H
6" Dia. x 13" H

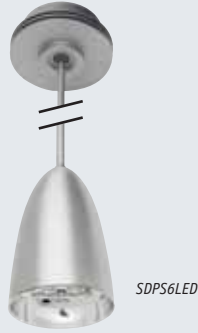


PENDALUM LED

Pendant LED Series

LED Array with (10) high-brightness LEDs in 2700K, 3500K, 4000K, or 5000K

LED



SDPS6LED

FEATURES

- Light Engine with integral heat sink provides excellent thermal management and a minimum of 50,000 hours at 70% average lumen maintenance
- Unique light engine reflector optics provide 45° cutoff and uniform distribution using Prescolite's Patented American Matte™ finish (U.S. Patent No. 6,754,256)
- Light Engine equipped with tamper-resistant hardware standard
- High efficiency, electronic LED driver with 50,000 hour life expectancy
- Provided with a 45° hang straight pendant canopy
- Photometrics tested per IESNA-LM-79-2008 standards
- Non-IC rated. Suitable for damp location and through wiring (recessed mount)
- Luminaires are certified by a National Recognized Testing Lab (NRTL), either UL or CSA.

ORDERING INFORMATION

EXAMPLE: RDPS6LED335K8277V SS Z

RDPS6LED	3	35K	8	277V	SS	Z	
HOUSING	LED GENERATION	CRI	VOLTAGE	HOUSING OPTION	REFLECTOR COLOR	CYLINDER FINISH	ACCESSORIES
SDPS6LED Surface mount RDPS6LED Recessed mount	3 14W, 700 Lumen Light Engine 4 28W, 1100 Lumen Light Engine	8 Nominal 80+ CRI	Blank 120 Volt 277V 120/277 Volt	DM¹ 0-10V dimming to 20%	Blank Clear Alzak CG Champagne Gold Alzak BL Black Alzak WE Wheat Alzak LW Light Wheat Alzak PW Pewter Alzak	BL Black WH White Z Zet (Metallic Silver) Special Finishes See pages 296-297	B24 Set of (2) 24" bar hangers for T-bar ceilings B6 Set of two bar hangers for ceiling joists up to 24" centers
	LED COLOR TEMP		BEAM ANGLE	REFLECTOR FINISH			
	27K 2700 Kelvin 35K 3500 Kelvin 40K 4000 Kelvin 50K 5000 Kelvin		Blank Vacuum metalized reflector with 45° cutoff SP18 Lensed optic with 18° spot distribution and Zet painted faceplate MD25 Lensed optic with 25° medium distribution and Zet painted faceplate FL35 Lensed optic with 35° wide distribution and Zet painted faceplate	Blank Specular SS Semi-Specular			

NOTES

¹ 120V only

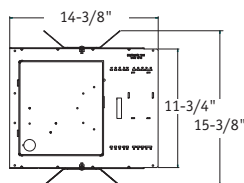
For special finish colors see page 296-297

SDPS comes standard with 1/2" x 17-7/8" stem, RDPS comes standard with 1/2" x 18-1/4" stem.

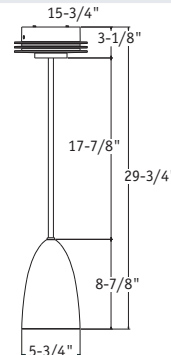
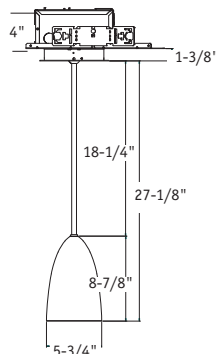
Custom stem lengths available in 1/2" increments. Contact Technical Support.



Wheat Alzak



RDPS6LED



SDPS6LED



Black Cylinder Finish



White Cylinder Finish



Zet Cylinder Finish



FEATURES

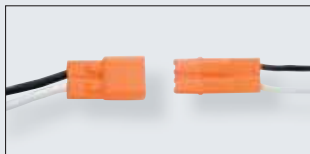
- Seamless spun aluminum housings
- Durable powder coat finish
- Ceiling, pendant, and cord mount models are damp location listed
- Wall mount models are wet location listed
- Facilitates Title 24 compliance when used with LB6LEDA trim (ships separately)
- Luminaires are certified by a National Recognized Testing Lab (NRTL), either UL or CSA.



ORDERING INFORMATION

EXAMPLE: LBC6WWH-LB6LEDA8L 30K WH

LBC6	W	WH	-	LB6LEDA8L	30K		WH
HOUSING	MOUNTING	FINISH OPTIONS		TRIM	LED COLOR TEMP	CRI	TRIM COLOR
LBC6 6" cylinder housing	W Wall Mount, Down P^{1,2} Pendant Mount S Surface Mount CM³ Cord Mount	WH White BL Black Z Zet BA Brushed Aluminum BZ Bronze		LB6LEDA8L 6" 800 Lumen LED module with dimming to 15% 120V LB6LEDA10L 6" 1000 Lumen LED module with dimming to 15% 120V	30K 3000 Kelvin 35K⁴ 3500 Kelvin	Blank 80+ CRI	WH White BL Black Z Zet BA Brushed Aluminum BZ Bronze

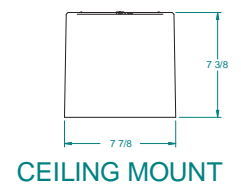
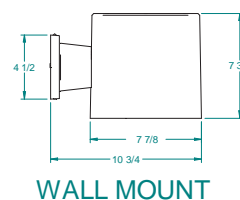
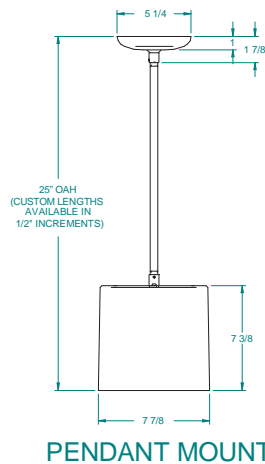
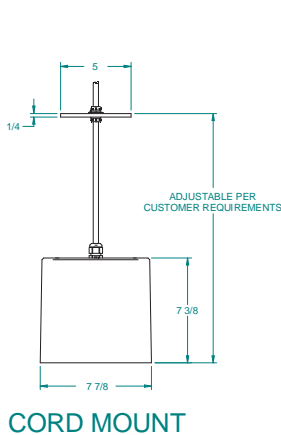


QuickLink: California Title 24 Compliant Connectors

QUICKLINK trims comply with the requirements of California Title 24 by providing a plug-in power connector in place of a screw shell socket. Ideal for residential and light commercial new construction applications where the use of screw shell sockets is restricted. The LB4LEDA trim is compatible with both an Edison Base and QL base housing.

NOTES

- ¹ Comes standard with 1/2" x 15" stem.
- ² Custom stem lengths available in 1/2" increments. Contact technical support.
- ³ 8' cord standard. Other lengths available black or white cord only.
- ⁴ Not available with LB6LEDA8L



SLLED

LED Steplights

STEP LIGHTS



FEATURES

- 50,000 hour minimum anticipated lamp life
- Die Cast aluminum. Solite lens for optimal light diffusion. Silicone gasket on trim and lens
- Four color options: Black, White, Zet (Metallic Silver), and Bronze
- Approved for exterior and interior installations
- IC rated
- Photometrics tested per IESNA-LM-79-2008 standards
- SLLED2 is IP45 rated
- SLLED3 is IP56 rated
- Suitable for wet locations and concrete pour
- Luminaires are certified by a National Recognized Testing Lab (NRTL), either UL or CSA.

ORDERING INFORMATION

SLLED135KBL

SLLED

35K

BL

HOUSING

LED COLOR TEMP

HOUSING FINISH

HOUSING OPTION

HOUSING ACCESSORIES

- SLLED1** High output 13W LED step light
- SLLED2** Recessed 13W LED step light
- SLLED3** Residential 9W LED step light

- 35K** 3500 Kelvin
- 50K** 5000 Kelvin

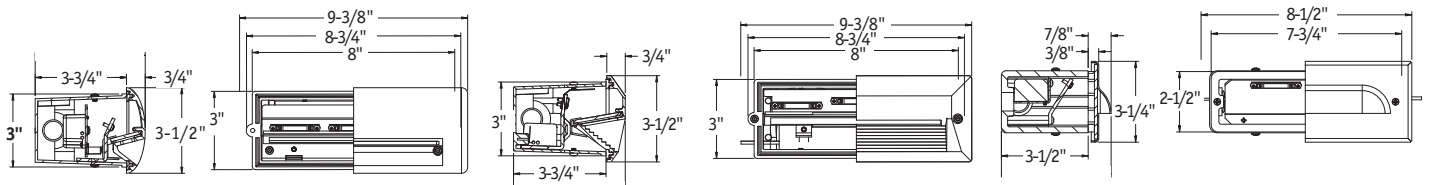
- WH** White
- BL** Black
- Z** Zet (Metallic Silver)
- BZ** Bronze

- Blank** 120V
- 277** 277V

- SLMB** Dry wall bar hanger installation kit
- SLD12CMB** Concrete mounting box SLLED1 and SLLED2
- SLD3CMB** Concrete mounting box SLLED3
- LG1S** Dual-Lite 100 VA Surface Mount LiteGear Emergency Lighting Inverter
- LG1R** Dual-Lite 100 VA Recessed Mount LiteGear Emergency Lighting Inverter
- LG1T** Dual-Lite 100 VA Recessed Ceiling T-Grid Mount LiteGear Emergency Lighting Inverter
- LG2S** Dual-Lite 250 VA Surface Mount LiteGear Emergency Lighting Inverter

NOTES

* See spec sheet or www.prescolite.com for LiteGear Compatibility Matrix



SLLED1

SLLED2

SLLED3

93 LED

Recessed High-Output Step Light LED

FEATURES

- Four finish options: Zet (Metallic Silver), black, bronze, or white
- Diecast aluminum housing with sealed, tempered glass
- Suitable for concrete pour
- Suitable for wet locations and through wiring
- Luminaires are certified by a National Recognized Testing Lab (NRTL), either UL or CSA.



93047LED

STEP LIGHTS

ORDERING INFORMATION

93047LED30KC7 120V Z

93047LED

30K

7

Z

HOUSING

93047LED LED array Non-IC recessed step light, 120V-277V

93047LEDR LED Array Non-IC recessed retrofit step light, 120V-277V (includes all components except back box to retrofit existing HID or CFL LiteSteps)

LED COLOR TEMP

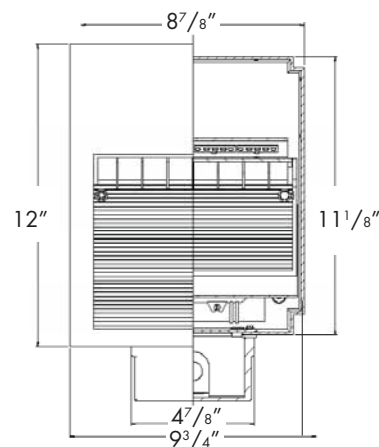
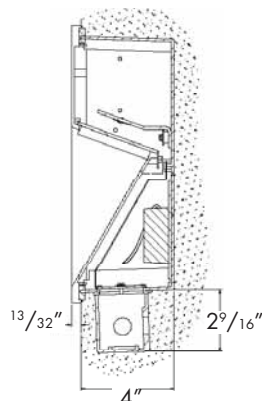
30K 3000K color
40K 4000K color
50K 5000K color

CRI

7 Nominal
 70+ CRI

FINISHES

BL Black
BZ Bronze
Z Zet (Metallic Silver)
WH White



AKT6LED

LED Track Head

Track, Bus or J-Box Mounted



AKT6LED3

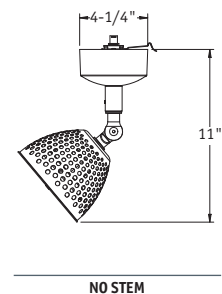
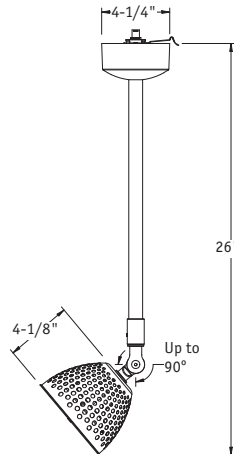
FEATURES

- Diecast aluminum fixture.
- Rotates 360° horizontally and 180° vertically.
- Equipped with (10) 1-watt white LEDs with integral heat sink that will provide a minimum of 50,000+ hours at 70% average lumen maintenance.
- Photometrics tested to IESNA-LM-79-2008 standards
- Factory configurable optics allow for changes in beam spread appropriate for particular applications.
- Available for Prescolite and other standard track adapters
- Luminaires are certified by a National Recognized Testing Lab (NRTL), either UL or CSA.

ORDERING INFORMATION

EXAMPLE: AKT6LED335K8SP18 26 J PS BL

AKT6LED	3	35K	8	SP18	26	J	PS	BL
FIXTURE	COLOR	CRI	BEAM SPREAD	OVERALL FIXTURE LENGTH	MOUNTING	SHADE	FINISH	
AKT6LED 6" 14W Track mounted LED 120V-277V	27K 2700 Kelvin 35K 3500 Kelvin 40K 4000 Kelvin 50K 5000 Kelvin	8 Nominal 80+ CRI	SP18 Spot (18°) MD25 Medium (25°) FL35 Flood (35°)	Blank No stem, nominal 11" 18 Nominal 18" 26 Nominal 26" XX¹ Make to order length	Blank Prescolite ArchiTrak® Adapter, max. fixture length 58" CT Capri CT Series 120V, max. fixture length 58" GE Global Trak® ECO or Halo® L641 and L651 Series compatible adapter, 1- or 2-circuit, no stem allowed GHT Global Trak® HTEK 2-circuit, max. fixture length 22" GX Global Trac® PRO 3-circuit, max. fixture length 22" GT Global Trac® TEK 2-circuit, max. fixture length 22" J J-Box, 4X4 Octagonal UN Juno Trac-Master® Series compatible adapter 1- or 2-circuit, max. fixture length 28" SI Lighting Services, Inc. Surface 120V Series adapter 1- or 2-circuit, max. fixture length 58" LR Lightolier Lytespan® Series compatible adapter 1- or 2-circuit, max. fixture length 28" B Universal Starline™ Bus Mount (IP50-15-AF with fuse) 2 pole, max. fixture length 58"	PS Perforated Shade SS Solid Shade	BL Black WH White Z Zet (Metallic Silver)	
LED GENERATION								
3 700 Lumen LED module								
NOTES								
¹ Please specify the length in inches for made to order fixture length. See mounting type for additional information								



FEATURES

- 14W 700 Lumen (AKTSLED3) and 28W 1100 Lumen (AKTSLED4) LED
- Spot, Medium, and Flood beam spread
- Diecast aluminum fixture
- Equipped with integral heat sink that will provide a minimum of 50,000 hours at 70% lumen maintenance
- Photometrically tested per IESNA-LM-79-2008 standards
- 5-Year Warranty
- Luminaires are certified by a National Recognized Testing Lab (NRTL), either UL or CSA.



TRACK

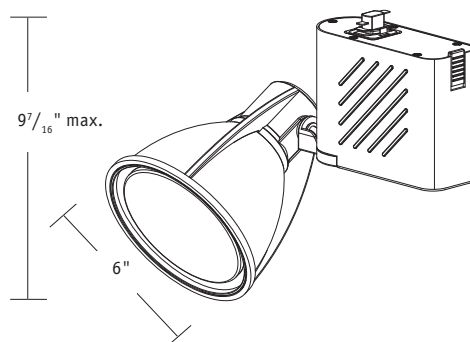
ORDERING INFORMATION

EXAMPLE: AKTSLED335K8SP18SSBL

AKTSLED3	3	35K	8	SP18		SS	BL
FIXTURE		COLOR	CRI	BEAM SPREAD	MOUNTING	SHADE	FINISH
AKTSLED 6" Track mounted LED		27K 2700 Kelvin 35K 3500 Kelvin 40K 4000 Kelvin 50K 5000 Kelvin	8 Nominal 80+ CRI	SP18 Spot (18°) MD25 Medium (25°) FL35 Flood (35°)	Blank ¹ Prescolite Track CT Capri CT Series 120V Track 1- or 2-circuit	PS Perforated Shade SS ¹ Solid Shade	BL Black WH White Z Zet (Metallic Silver)
	LED GENERATION						
	3 1400, 700 Lumen LED module 4 2800, 1100 Lumen LED module						

NOTES

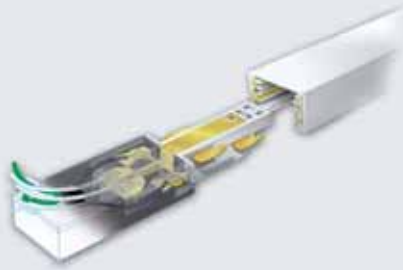
¹ Contact Technical Support for other compatible track options.



System Components

Track Accessories for Architrak®

TRACK



FEATURES

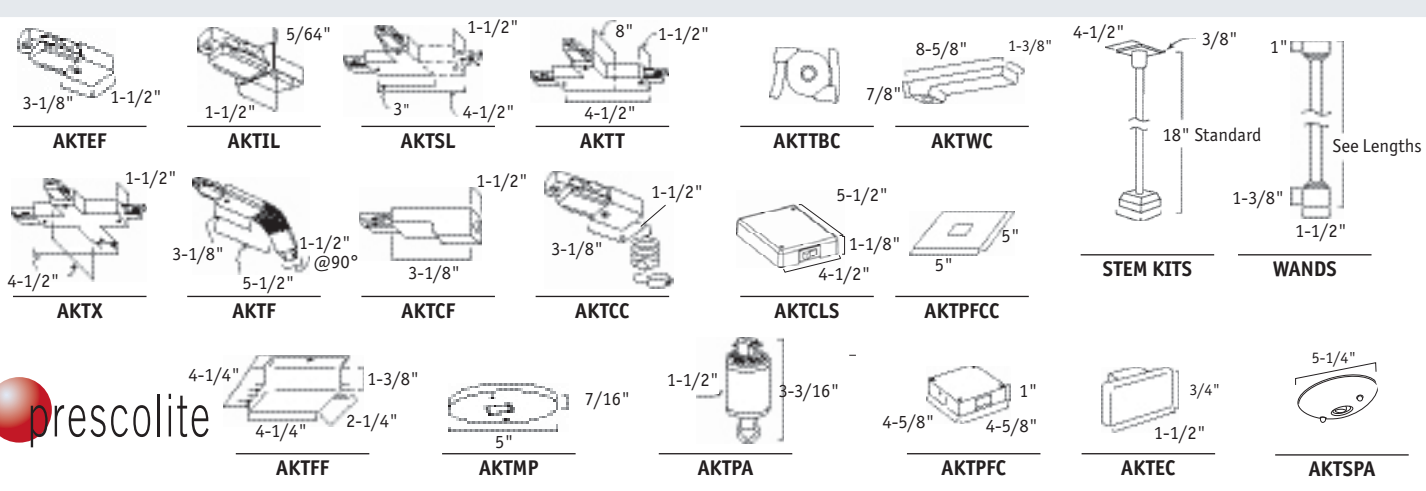
- Heavy gauge extruded aluminum rails provide one or two circuit operation
- Track rails contain two 20A circuits rated for 120V
- Each circuit has dedicated neutrals for control isolation
- Supplied with one end cap and toggle bolts for sheetrock or plaster ceiling mounting
- Rails can be cut to a minimum of 8"
- Multiple wiring options (one circuit with two wires, two circuit with three wires, or two circuit with four wires)
- Three finish options: Zet (Metallic Silver), black, or white

ORDERING INFORMATION:

<input type="text"/>	<input type="text"/>	<input type="text"/>	<input type="text"/>	<input type="text"/>	<input type="text"/>	<input type="text"/>	<input type="text"/>
RAILS		FEEDS & JOINERS		ACCESSORIES		STEM KITS & WANDS	
AKT2 2 ft. Rail AKT4 4 ft. Rail AKT6 6 ft. Rail AKT8 8 ft. Rail AKT12 12 ft. Rail		AKTCLS11 WH AKTEF Live-end Feed AKTIL Straight Mini-Joiner AKTSL Straight/ L Feed/Joiner AKTT T Feed/ Joiner AKTX X Feed/ Joiner AKTF Flex Joiner AKTCF Conduit End Feed AKTCC² Live-end Feed with cord and plug AKTFF Floating Feed AKTMP Mono-point Adapter AKTPA² Pendant Adapter/ Feed AKTSPA Sloped Ceiling Adapter Kit (stem not included)		AKTCLS11 WH MOUNTING ACCESSORIES AKTTBC¹ T-Bar Mounting Clips AKTWC⁶ Wireway Cover AKTPFCC Outlet Box Cover Plate AKTPFC Power Feed Cover AKTEC End Cap CURRENT LIMITERS AKTCLS1^{2,5} Current Limiter Device rated for 120W, or 1A AKTCLS3^{2,5} Current Limiter Device rated for 300W, or 2.5A AKTCLS6^{2,5} Current Limiter Device rated for 600W, or 5A AKTCLS9^{2,5} Current Limiter Device rated for 900W, or 7.5A		STEM KITS³ AKTCSK⁴ 18" canopy mount stem kit AKTTSK⁴ 18" T-Bar mount stem kit WANDS AKTW12 12" extension wand AKTW24 24" extension wand AKTW36 36" extension wand AKTW48 48" extension wand	
FINISH		FINISH		FINISH		FINISH	
BL Black WH White Z Zet(Metallic Silver)		BL Black WH White Z Zet(Metallic Silver)		BL Black WH White Z Zet(Metallic Silver)		BL Black WH White Z Zet(Metallic Silver)	

NOTES

- ¹ Do not specify finish, Zet (Metallic Silver) only
 - ² Black and White only
 - ³ Contact technical support for custom lengths
 - ⁴ (2) Stems per box
 - ⁵ Must specify (1) or (2) for desired number of switches
 - ⁶ White only
- Order rails and connectors as separate line items







Innovative, Integrated, Simple.



Hubbell Building Automation

Hubbell Building Automation, Inc. (HBA) – headquartered in Austin, Texas – is a subsidiary of Hubbell Incorporated, a Delaware company and established leader in the electrical industry. HBA is a strong proponent of innovative, integrated, and simple energy-saving lighting controls.

Industry Leading technology – Proven Quality. In 1888 Harvey

Hubbell, founder of Hubbell Incorporated, invented what could arguably be called the world's first lighting control device, the pull chain switch. Some 100+ years later, HBA continues this tradition of invention and innovation in lighting controls. From the industry's first self-adaptive occupancy sensor to wiHUBB® an intelligent wireless mesh networked family of lighting fixtures and lighting control products, HBA sets the standards for applying technology to the business of energy-saving lighting controls. HBA provides innovative, integrated and simple lighting control through its networked lighting controls, occupancy sensors, daylighting controls, high bay controls and wireless lighting controls.

Energy Saving Solutions

One of the simplest ways for facility managers and building owners to lower cost is by reducing the energy consumed by their buildings. HBA's suite of energy saving lighting control solutions lets you do just that. With solutions covering the full range of energy saving strategies and industry leading technology, it could not be easier. Let HBA help you get control of your energy costs.

Money Saving Convenience

With HBA's lighting control solutions, you will never have to think about turning out the lights again. Whether you choose occupancy sensing, daylight harvesting, time-based scheduling or a complete networked lighting control solution, you will never again have to worry whether the lights are on or off. You can rest assured that lighting will be on when required, and off when not required, providing you both energy savings and peace of mind. Now that's convenient.

TABLE OF CONTENTS

wiHUBB Wireless Lighting Controls	64
Quick Reference Guide	68
WASP2 Dimming	76
CXDimming Lighting Control Panels	79
Quick Reference Guide	79
Zone5 Daylight Harvesting Controls	83
Quick Reference Guide	83
Other LED Control Options	88







HUBBELL Building Automation

Wireless Comes To Light®

The use of wireless controls is one of the most exciting frontiers in lighting control, offering significant benefits over traditional wired solutions for both existing buildings and new construction. In a typical wired lighting control system, control signals are sent using low-voltage communications wires. In a wireless system, devices communicate through the air utilizing radio frequency (RF) waves – eliminating the need for expensive dedicated control communications wiring. Hubbell Building Automation's wiHUBB® Wireless Lighting Control System provides wireless controls for both indoor and outdoor lighting applications.

Intelligent, Integrated Indoor Lighting Control Has Arrived

Wireless indoor lighting control has never been easier. Over the past decade, major advancements have been made in wireless technology which has significantly improved the reliability of wireless communications of all kinds. By integrating wireless controls into indoor lighting applications, you can easily add full range or step-dimming, daylight harvesting and occupancy sensing to renovations, remodels and new construction.

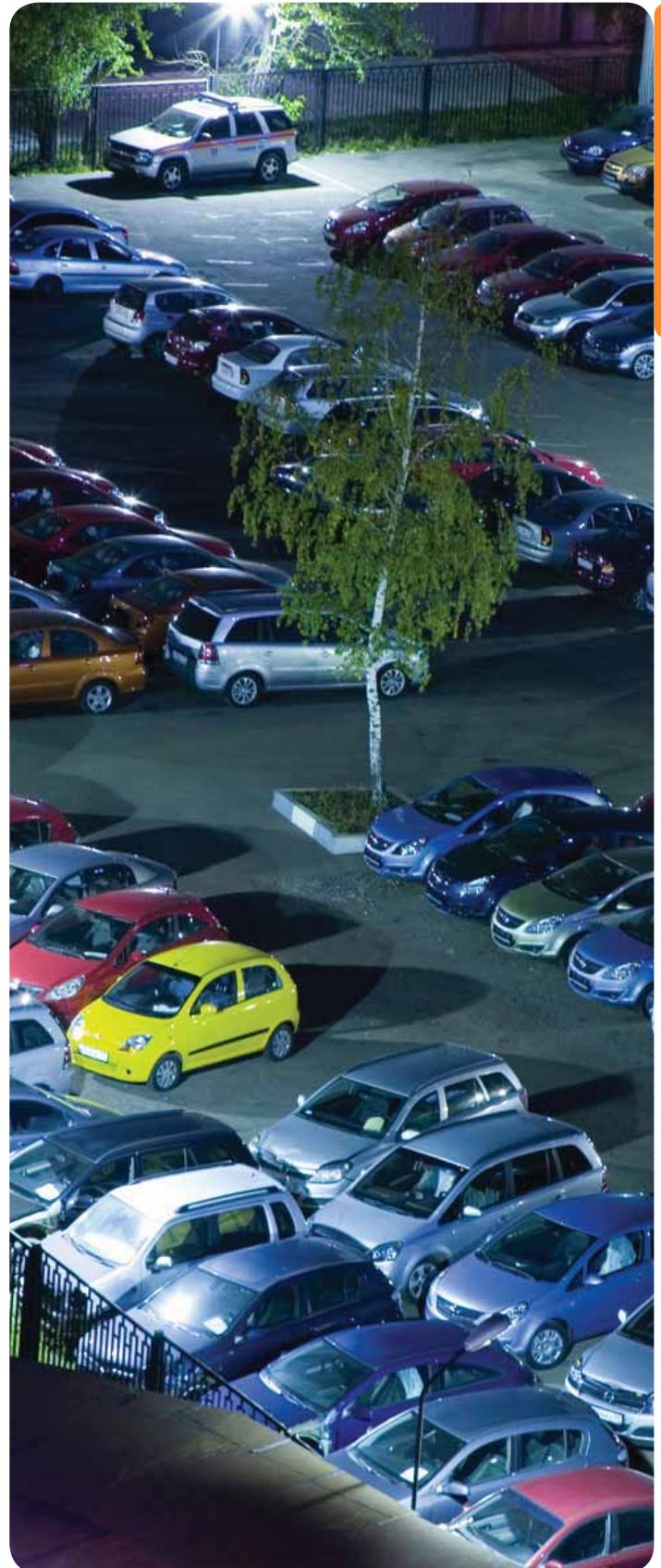
Overcoming the Outdoor Lighting Control Obstacles

As the cost of energy continues to escalate, the value of outdoor lighting solutions which capitalize on both energy efficient lighting technologies and aggressive energy saving control strategies will continue to grow. The use of wireless control strategies in outdoor lighting applications will enable building owners and facility managers to overcome barriers related to hard wired control systems.

System Features

wiHUBB Wireless Lighting Controls provide the following features:

- Indoor and/or Outdoor Applications
- Individual Fixture or Zone Control
- No Rewiring or Trenching Required
- Easy System Access from Local Network or Internet
- Switching, Occupancy, Daylighting, or Scheduled Control
- New Construction or Retrofit
- Conforms with UL916 and Certified to CAN/CSA C22.2
- Five-year warranty





Area/Site Lighting

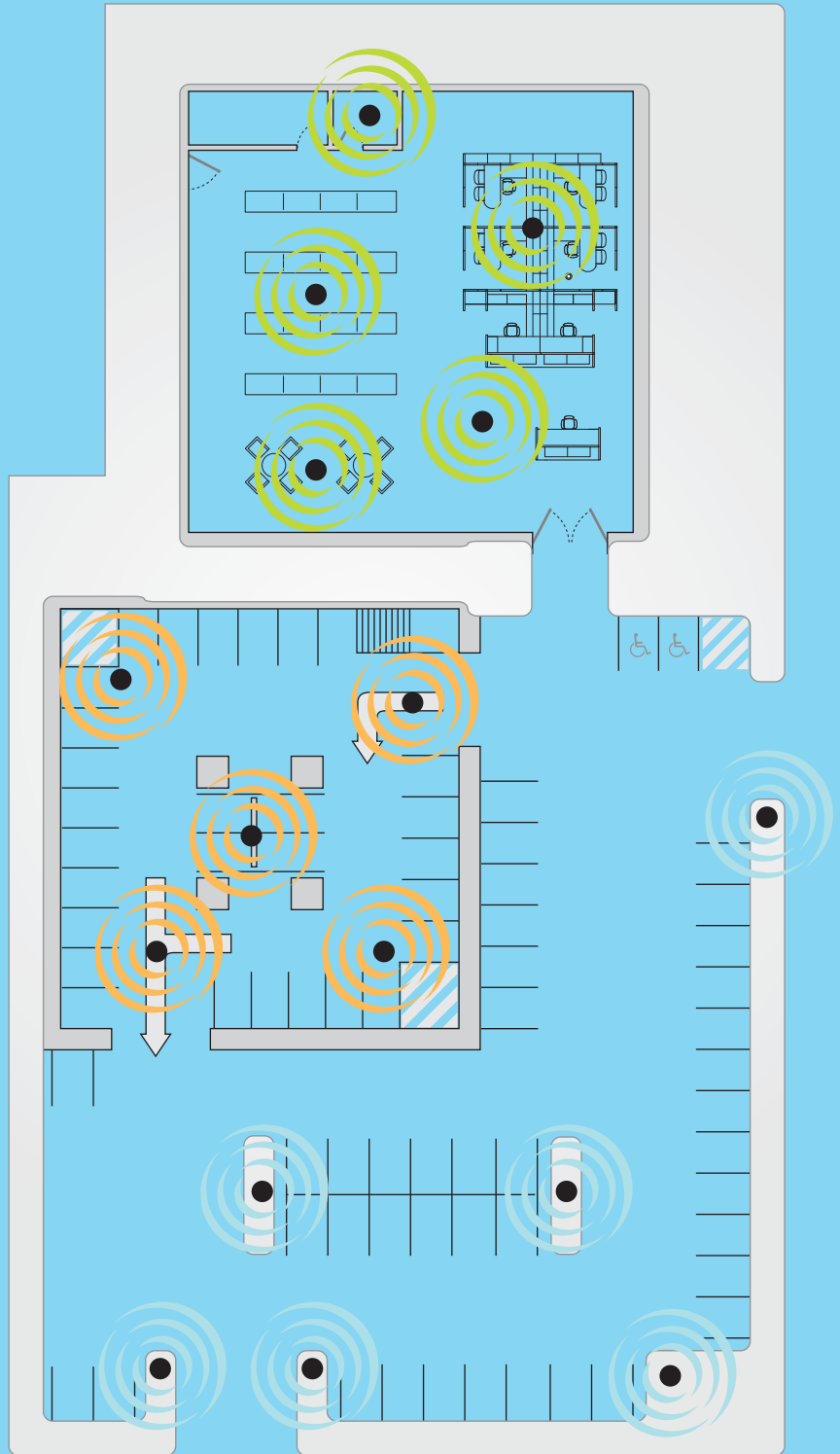
- In-Fixture or On-Fixture Modules installed in or on lighting fixtures
- Access Point for scheduling of On/Off and dimmed levels
- Demand Response ready

Parking Garage Lighting

- In-Fixture Modules installed in lighting fixtures
- Time-based scheduling of On/Off and dimming levels
- Access Point for scheduling of On/Off and dimmed levels
- Demand Response ready

Interior Facility Lighting

- In-Fixture Modules installed in lighting fixtures
- Smart Pack installed controlling lighting circuits
- Access Point for scheduling and device management
- Switch Stations for Manual On/Off control
- Occupancy/Vacancy sensors for Auto/Manual On, Auto Off control
- Daylight sensor for daylight harvesting applications



THE wiHUBB® SYSTEM

Hubbell Building Automation's wiHUBB® Wireless Distributed Lighting Control System is a secure peer-to-peer, self-organizing and self-healing mesh network of fixture modules, occupancy/vacancy sensors, daylight harvesting sensors and switch stations designed specifically for lighting applications.



Long-Range Radio Coverage

The wiHUBB devices communicate with each other on the robust and reliable 900MHz (902MHz-928MHz) ISM band. In comparison to wireless networks that use 2.4 GHz devices, 900MHz devices have a longer range and are less affected by propagation losses and physical obstructions (penetrating, diffraction and reflection).



Secured Messaging

All messages within the wiHUBB network are secure. When transmitting over the air, each wireless wiHUBB device uses AES-128 (Advanced Encryption Standard) security. AES is a powerful and secure encryption method used in many data security applications. It is the same encryption used by the U.S. Government for secure transmissions. The wiHUBB system also uses the secure HTTPS/SSL protocol when users access the wiHUBB network via an internet browser.



Intelligent SmartPORTs

The wiHUBB system features SmartPORTs that provide plug-and-play support for wiHUBB occupancy sensors and switch stations. When devices are plugged into the SmartPORTs, wiHUBB automatically and intelligently responds to the plugged-in devices, providing the most energy-efficient operation.



Access the wiHUBB Network from Anywhere, Anytime

The wiHUBB network can be accessed from your local network or the Internet using any standard internet browser – no special client side PC software required! The intuitive, easy-to-use Graphical User Interface (GUI) provides users the ability to schedule and control individual wiHUBB devices or groups of devices.



wiHUBB meets or exceeds energy conservation codes:

- ASHRAE/IESNA 90.1
- California Energy Commission's (CEC) Title 24
- USGBC LEED (Leadership in Energy and Environmental Design)
- International Energy Conservation Code (IECC)



wiHUBB® Wireless Lighting Controls

Quick Reference Guide

WIRELESS LIGHTING CONTROLS

wiHUBB® ACCESS POINT

PAGE 69



WIH-AP
ACCESS POINT

wiHUBB® ON-FIXTURE MODULE

PAGE 70



WIH-OM
ON-FIXTURE MODULE

wiHUBB® IN-FIXTURE MODULE

PAGE 71



WIH-IM
IN-FIXTURE MODULE

wiHUBB® SMART PACK

PAGE 72



WIH-SP
SMART PACK

wiHUBB® SWITCHES

PAGE 73



WIH-SW
SWITCHES

wiHUBB® OCCUPANCY SENSORS

PAGE 74



WIH-OS
OCCUPANCY SENSORS

wiHUBB® DAYLIGHT SENSOR

PAGE 75



WIH-DS
DAYLIGHT SENSOR

WIH-AP

wiHUBB® Wireless Lighting Controls – Access Point

FEATURES

- Web-based commissioning and monitoring of the wiHUBB lighting control system
- Integrated web server provides connection via standard web browsers
- Easy system access from the local network or internet
- Intuitive and easy to use Graphical User Interface (GUI)
- Ability to schedule wiHUBB-enabled devices or groups of devices
- Provides On/Off and dimming control of wiHUBB-enabled devices and groups of devices
- View power consumption from each device
- Robust & reliable 900Mhz wireless self-organizing and self-healing mesh network
- FCC certified
- Five year limited warranty



WIRELESS LIGHTING CONTROLS

ORDERING INFORMATION

WIH-AP

MODEL

WIH-AP wiHUBB Access Point

OVERVIEW

The wiHUBB® Access Point is a user friendly, web-based device for commissioning and monitoring devices within the wiHUBB wireless mesh network. The intuitive and easy to use Graphical User Interface (GUI) provides building owners and facility managers with the ability to schedule and control individual wiHUBB-enabled devices or groups of devices. The wiHUBB Access Point communicates securely over wired TCP/IP connections using HTTPS/SSL and 128-bit Advanced Encryption Standard (AES) when transmitting over the 900 MHz radio frequency to other devices within the wiHUBB wireless self-healing mesh network.



HUBBELL
Building Automation

WIH-OM

wiHUBB® Wireless Lighting Controls – On-Fixture Module

WIRELESS LIGHTING CONTROLS



FEATURES

- On/Off outdoor lighting control
- Compatible with all lighting loads including LED
- Integrated daylight sensor
- Schedules are held in the devices themselves –no need for a master scheduling device
- Monitors, measures, and records energy consumption and runtime data
- Retains data during power outages
- Robust & reliable 900Mhz wireless self-organizing and self-healing mesh network
- Future Proof design – firmware updateable over the air
- FCC certified
- Five year limited warranty

ORDERING INFORMATION

WIH-OM

MODEL
WIH-OM

UNV

INPUT VOLTAGE
UNV 120/277/347VAC

OVERVIEW

The wiHUBB® On-Fixture Module (OFM) is a self-contained intelligent wireless control module that provides On/Off lighting control for outdoor fixtures. Each OFM contains an integrated daylight sensor that can be used to turn lighting ON or OFF based on the amount of natural light available. Each wiHUBB On-Fixture Module can be individually controlled or grouped with other wiHUBB devices. The wiHUBB OFM communicates securely via 900 MHz radio frequency to other devices within the wiHUBB wireless self healing mesh network.

wiHUBB® Wireless Lighting Controls – In-Fixture Module

FEATURES

- Single or dual relay versions for On/Off or Bi-level control
- 0 – 10VDC control for dimmable ballasts
- Device intelligently responds to sensors and switches in the most energy efficient manner automatically
- Schedules are held in the devices themselves – no need for a master scheduling device
- Monitors, measures, and records energy consumption and runtime data
- Retains data during power outages
- Robust & reliable 900Mhz wireless self-organizing and self-healing mesh network
- Future Proof design – firmware updateable over the air
- Optional antenna extension cable available for mounting to fixture housing
- FCC certified
- Five year limited warranty



ORDERING INFORMATION

WIH-IM		
MODEL	OUTPUT	INPUT VOLTAGE
WIH-IM	1R 1 SPST Output (or 1 DPST Output on 480VAC model) 1RD 1 SPST (or 1 DPST Output on 480VAC model), 0-10VDC Dimming Output 2R 2 SPST Outputs 2RD 2 SPST Outputs, 0-10VDC Dimming Output	1277 120/277VAC 347 347VAC
WIH-IM	ADAPTER	
MODEL	OUTPUT	
WIH-IM	ADAPTER In-Fixture Module J-Box Mounting Adapter	

OVERVIEW

The wiHUBB® In-Fixture Module (IFM) is a self-contained intelligent wireless control module. It contains either one or two independently controlled outputs. The two output version can be used for Hi/Low or alternate ballast switching. An optional 0-10 VDC output is also available for controlling dimmable ballasts and LED drivers. Each wiHUBB In-Fixture Module can control one or more fixtures and can be individually controlled or grouped with other wiHUBB devices. The wiHUBB IFM communicates securely via 900 MHz radio frequency to other devices within the wiHUBB wireless self-organizing and self-healing mesh network.



WIH-SP

wiHUBB® Wireless Lighting Controls – Smart Pack

WIRELESS LIGHTING CONTROLS



FEATURES

- Single or dual relay versions for On/Off or Bi-level control
- 0 – 10VDC control for dimmable ballasts
- Plug and play support for wiHUBB occupancy sensors, daylight sensors and switches
- Device intelligently responds to sensors and switches in the most energy efficient manner automatically
- Schedules are held in the devices themselves – no need for a master scheduling device
- Monitors, measures, and records energy consumption and runtime data
- Retains data during power outages
- Robust & reliable 900Mhz wireless self-organizing and self-healing mesh network
- Future Proof design – firmware updateable over the air
- FCC certified
- Five year limited warranty

ORDERING INFORMATION

WIH-SP		
MODEL	OUTPUT	INPUT VOLTAGE
WIH-SP	1R 1 SPST Output (or 1 DPST Output on 480VAC model) 1RD 1 SPST (or 1 DPST Output on 480VAC model), 0-10VDC Dimming Output 2R 2 SPST Outputs 2RD 2 SPST Outputs, 0-10VDC Dimming Output	1277 120/277VAC 347 347VAC

OVERVIEW

The wiHUBB® Smart Pack (SP) is a self-contained intelligent wireless power pack. It contains either one or two independently controlled outputs. The two output version can be used for Hi/Low or alternate circuit switching. An optional 0-10 VDC output is also available for controlling dimmable ballasts and LED drivers. Each wiHUBB Smart Pack can control one or more circuits and can be individually controlled or grouped with other wiHUBB devices. The wiHUBB Smart Pack also features plug and play support for wiHUBB occupancy sensors, daylight sensors and switch stations. The wiHUBB SP communicates securely via 900 MHz radio frequency to other devices within the wiHUBB wireless self organizing and self-healing mesh network.

WIH-SW

wiHUBB® Wireless Lighting Controls – Switches

FEATURES

- Attractive, architecturally pleasing decorator style design
- Multiple switch options available
- All switches mount to standard single or multi-gang wall boxes
- Plug and play integration with wiHUBB Smart Pack
- Five year limited warranty



WIRELESS LIGHTING CONTROLS

ORDERING INFORMATION

WIH-SW		
MODEL	SWITCH TYPE	COLOR
WIH-SW	OO On/Off Switch GAV General – A/V Mode Switch HLO High/Low/Off Switch ORLO On/Raise/Lower/Off RL Raise/Lower Switch TO Timed On Switch PRESET Preset Switch (4-button)	WH White IV Ivory LA Light Almond GY Gray BK Black

OVERVIEW

The wiHUBB® Switches provide manual control of the wiHUBB System. The wiHUBB Switches include an On/Off switch, a General-A/V switch that enables users to switch between General Lighting and Audio/Visual Lighting, a High/Low/Off switch for bi-level lighting control, an On/Raise/Lower/Off switch, a Raise/Lower switch, a Timed On switch and a 4-button Preset switch. All wiHUBB Switches provide plug and play integration with the wiHUBB Smart Pack.



HUBBELL
Building Automation

WIH-OS

wiHUBB® Wireless Lighting Controls – Occupancy Sensors

WIRELESS LIGHTING CONTROLS



FEATURES

- IntelliDAPT® self-adaptive technology – no manual adjustment required
- All-digital dual technology (ultrasonic [US] and passive infrared [PIR] sensor)
- Non-volatile memory for sensor settings
- 1,600 and 2,000 square-foot coverage area
- Form C relay with NO/NC outputs
- Plug and play integration with wiHUBB Smart Pack
- Five year limited warranty

ORDERING INFORMATION

WIH-OS	
MODEL	SENSOR TYPE
WIH-OS	OMDT2RP Ceiling Mount, PIR and Ultrasonic, Form C Relay, 2000 Sq. Ft.
	LODTRP Wall Mount, PIR and Ultrasonic, Form C Relay, 1600 Sq. Ft.

OVERVIEW

The wiHUBB® Ceiling Mount and Wall Mount Occupancy Sensors combine ultrasonic (US) and passive infrared (PIR) technologies to turn lighting on and off based on occupancy. These dual technology sensors provide accurate turn-on while virtually eliminating false-offs. The sensors feature Hubbell Building Automation’s patented IntelliDAPT® technology, which makes all the sensor adjustments automatically. Throughout the product’s lifespan, smart software analyzes the controlled area and makes digital adjustments to sensitivity and timer settings. Occupancy sensors with IntelliDAPT provide a maintenance-free “Install and Forget” operation.

WIH-DS

wiHUBB® Wireless Lighting Controls – Daylight Sensor

FEATURES

- Open loop operation
- Mounts vertically or horizontally
- Architecturally attractive design
- Plug and play integration with wiHUBB Smart Pack
- Five year limited warranty



WIRELESS LIGHTING CONTROLS

ORDERING INFORMATION

WIH-DS

SENSOR TYPE

WIH-DS wiHUBB Daylight Sensor

OVERVIEW

The wiHUBB® Daylight Sensor provides the necessary daylight-level information to the wiHUBB Smart Pack. Using a photodiode element, the daylight sensor continuously measures daylight levels and sends the information to the Smart Pack which then performs daylight switching or dimming functionality based on the amount of natural light in the area.



HUBBELL
Building Automation

WASP2 Dimming



HUBBELL
Building Automation

Outdoor Dimming By Occupancy

The HBA WASP2 Dimming Outdoor Occupancy Sensor is specifically designed to provide 0-10VDC (Class 1) output for the control of dimmable LED, fluorescent, and HID fixtures. Easy to use dip switches allow the user to set unoccupied and occupied dimming levels. The sensor is available in end mount and surface mount versions in both line and low voltage options. Interchangeable twist-on lenses eliminate need for field masking. All WASP2 sensors feature a daylight sensor for ON/OFF control of fixtures when there is sufficient natural light. The gasketed design of the enclosure makes it impervious to dust and able to withstand water ingress making it an ideal sensor for outdoor and wet, arduous locations including those with temperatures down to -40° F/C.

System Features

WASP2 Dimming Lighting Control Panels provide the following features:

- Digital Passive Infrared (PIR) sensor
- Supports mounting heights up to 45 ft.
- Controls 0-10VDC dimmable ballasts and drivers
- User controlled dimming presets
- Built-in daylight sensor
- End mount and surface mount versions
- Interchangeable lenses for High/Low area detection
- Low voltage and line voltage models available
- Low temperature (-40°C)/water-tight/indoor-outdoor
- UL and cUL listed
- Five-year warranty

HBAWASP₂TM



WASP2 Dimming

Outdoor Occupancy Sensor

FEATURES

- Digital Passive Infrared (PIR) sensor
- Supports mounting heights up to 45 ft.
- Controls 0-10VDC dimmable ballasts and drivers
- User defined dimming presets
- Built-in daylight sensor
- End mount and surface mount versions
- Interchangeable lenses for High/Low area detection
- Low voltage and line voltage models available
- Low temperature (-40°C)/water-tight/indoor-outdoor
- UL and cUL listed

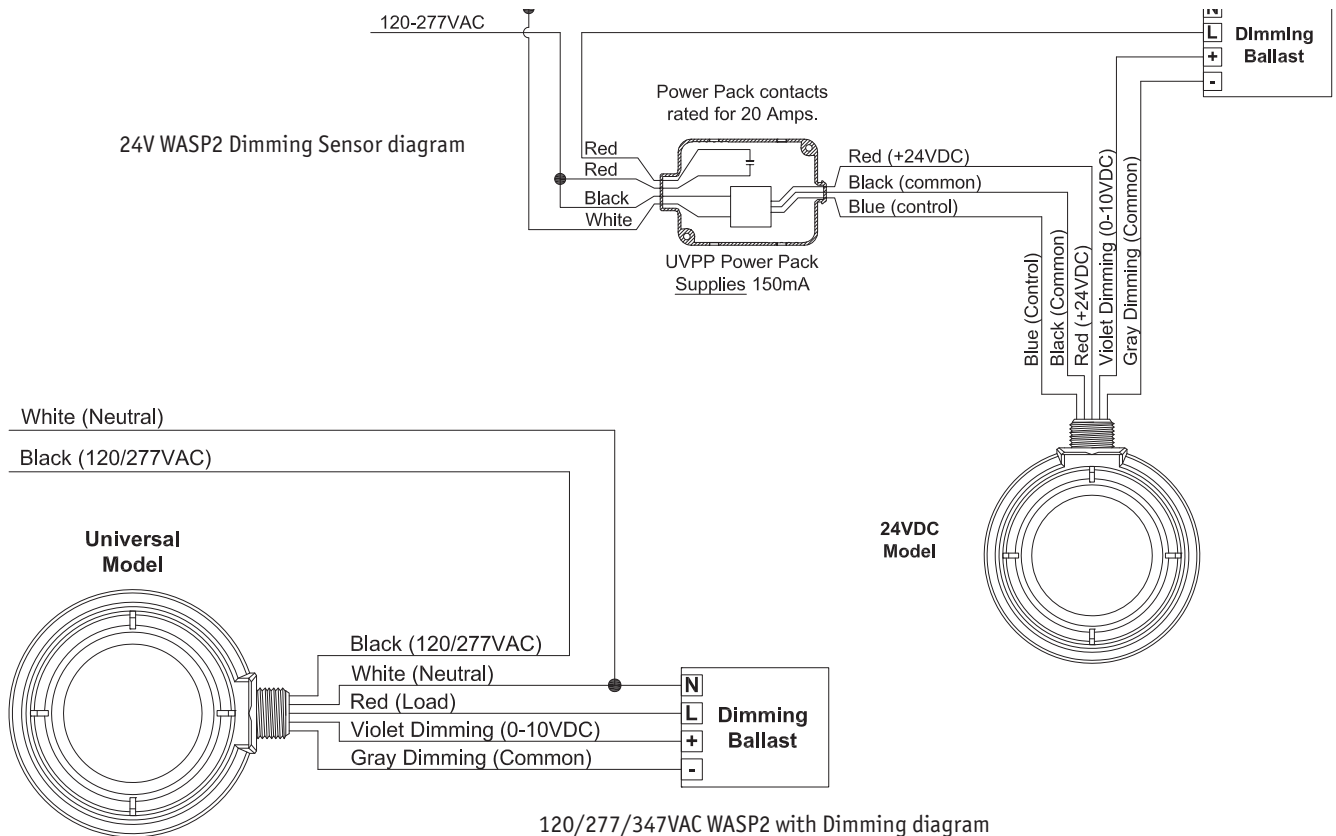


WASP2 DIMMING SENSOR

ORDERING INFORMATION

WSP			LWO	D	
MODEL	MOUNTING	INPUT VOLTAGE	OUTDOOR	DIMMING OPTION	COLOR
WSP	EM End Mount SM Surface Mount	24V 24VDC (Low voltage) UNV 120/277/347VAC 208 208/240VAC 480 480VAC	LWO Low-Temp/ Water Tight/ Indoor Outdoor	D Dimming Enabled	BLANK White BK Black GY Gray

WIRING DIAGRAMS



HUBBELL
Building Automation



CXDimming Lighting Control Panels



HUBBELL
Building Automation

Save Energy, Reduce Cost, and Increase Control

The Hubbell Building Automation CX Commercial Lighting Control Panels provide feature rich and cost effective lighting control for maximum energy savings. The LCD User interface is located in the door and utilized simple and intuitive scrolling menus to program, check status or update the panel. The easy to use Pre-Programmed Scenarios Menu makes project commissioning simple and fast.

The CX Panels can save up to 50% in labor and materials when used in place of conventional time clock and contactor combinations. The use of the astronomical clock instead of roof mounted photocells increases cost savings, lowers maintenance, and improves reliability.

System Features

CXDimming Lighting Control Panels provide the following features:

- 4, 8, 16, and 24 Relay Spaces / Dimming Channels
- Primary and secondary panel configurations on 8, 16, & 24 relay panels
- LCD user interface with keypad
- 365 day programming with 64 schedules
- Astronomical and real time clock
- Programmable dry contact inputs
- Selectable pre-programmed scenarios
- Programmable inputs accept low voltage switches, photocells, or motion sensors
- Two low-voltage dry contact output relays
- Program uploads via removable SD memory card
- Listed to UL916, UL924 and cUL
- Five-year warranty

CX Commercial
Lighting Control
Panels

QUICK REFERENCE GUIDE

CXDIMMING PANELS

PAGE 80



CXDIMMING LIGHTING CONTROL PANELS
4, 8, 16, & 24 RELAY SPACES/DIMMINGCHANNELS

CX RELAYS

PAGE 81



CX R
Relays for CX Series Panels



CXDimming

CXDimming Lighting Control Panels

CXDIMMING CONTROL PANELS



FEATURES

- 4, 8, 16, and 24 Relay Spaces / Dimming Channels
- Primary and secondary panel configurations on 8, 16, & 24
- LCD user interface with keypad
- 365 day programming with 64 schedules
- Astronomical and real time clock
- Programmable dry contact inputs
- Selectable pre-programmed scenarios
- Programmable inputs accept low voltage switches, photocells, or motion sensors
- Low-voltage dry contact output relays
- Program uploads via removable SD memory card
- Listed to UL916, UL924 and cUL
- Five-year warranty

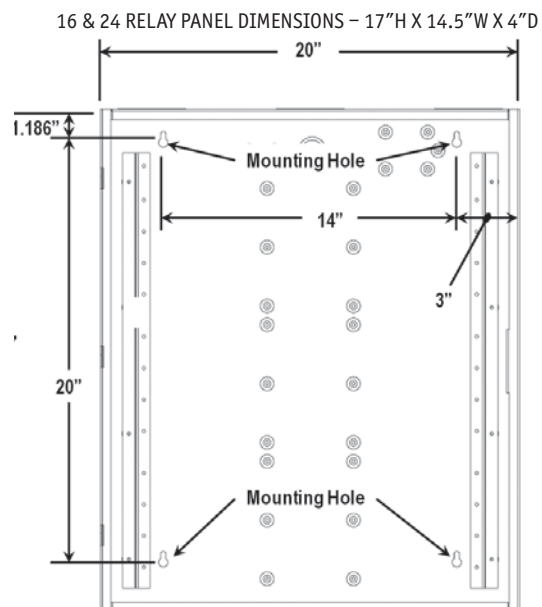
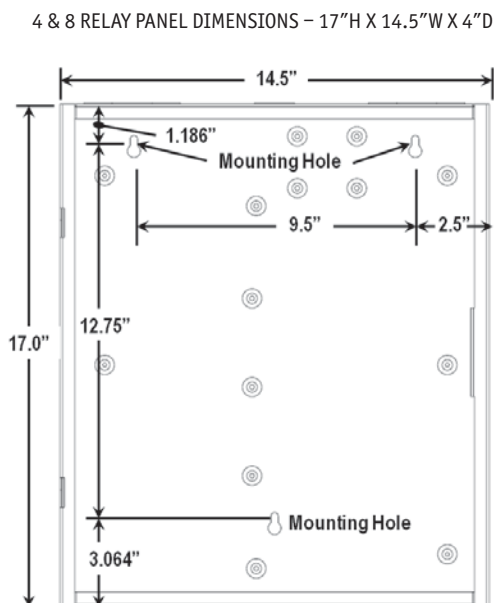
ORDERING INFORMATION

CX						
MODEL	SPACES	INPUT VOLTAGE	ENCLOSURE	RELAY QUANTITY	RELAY TYPE	OPTIONS
CX CX Control Panel	04 4 Relay Spaces 08 8 Relay Spaces 16 16 Relay Spaces 24 24 Relay Spaces	2 120/277 Dual Tap 3 347/480 Dual Tap	S NEMA 1 Surface	00 No Relays - Spaces Only (See Note 5) 04 4 Relays Installed (See Note 4) 08 8 Relays Installed (See Note 4) 16 16 Relays Installed (See Note 4) 24 24 Relays Installed (See Note 4)	SP Space Only 2N 20A Electrically Held NO 120-277V 3L Latching 120-277-347V TN 20A Electrically Held NO 480V TC 20A Electrically Held NC 480V	N Stand Alone Panel (See Note 1) M Master Panel (See Note 2) S Secondary Panel (See Note 2 and Note 6)

NOTES:

1. Required for CX04 Series Panels. Not Available for CX08.
2. Not available for CX04.
3. 2-Pole relays take the same amount of space as 1-Pole relays.
4. Installed relays must be all of the same type. Relay Type TC is not available in fully populated panels
5. "00" option has no relays, all must be installed in the field
6. Secondary panel includes (2) master/secondary panel interface cards

DIMENSIONAL INFORMATION



HUBBELL
Building Automation

CX Relays & Dimming Card

For Use with CXDimming Control Panels

FEATURES

- Relays are mounted to individual relay cards
- Five types of relays – 20A/1P 20A/2P, NO, NC and 30A 1P latching
- Smart Relay card self-identifies type automatically to Panel
- Each Relay includes 1 programmable input for low voltage switches, photocells, or motion sensors
- Relay cards include a manual override control button and LED status indication
- Panels are ordered fully populated with the same relay type or with space only for field installation of relay combinations
- Relay cards include a plugging connector to panel mother board and a single screw to secure it to the panel enclosure
- Listed to UL916 standard
- Warranty – 5 Years



CXR3L 30A/1P Relay

CXDIMMING CONTROL PANELS

ORDERING INFORMATION

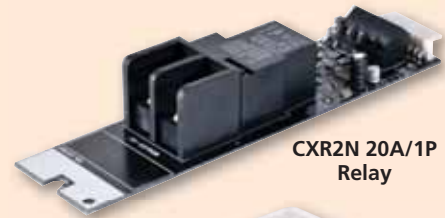
CXR

MODEL
CXR

RELAY TYPE

- 2N** 20A 1-Pole Electrically Held NO 120-277V
- 3L** 30A 1-Pole Latching 120-277-347V
- TN** 20A 2-Pole Electrically Held NO 480V
- TC** 20A 2-Pole Electrically Held NC 480V

ADDITIONAL IMAGES



CXR2N 20A/1P Relay



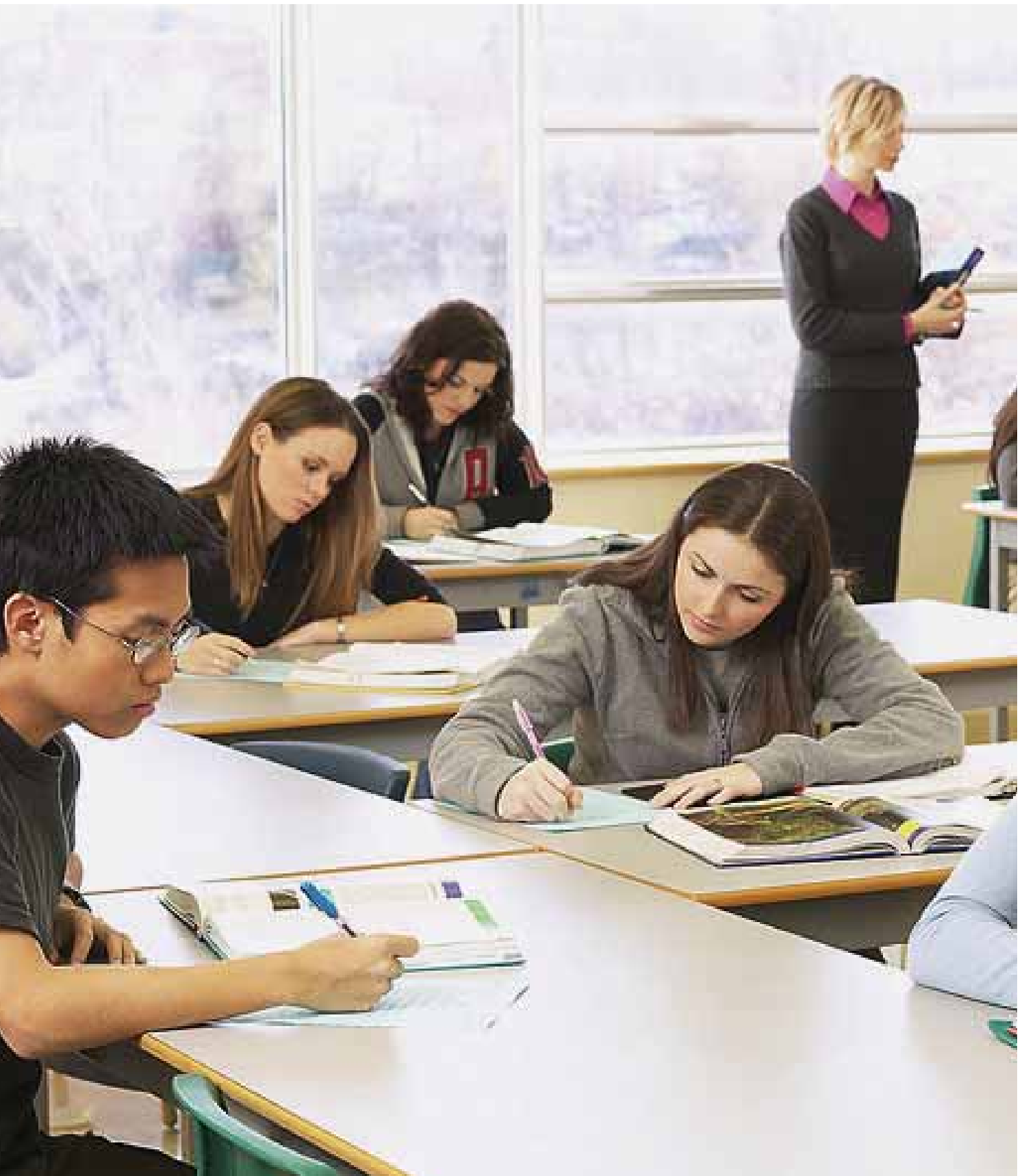
CXRTN & CXRTC 20A/2P Relays

CX PANEL DIMMING CONTROLLER CARD

For ordering information, please contact your local HBA Representative or visit our website at www.hubbell-automation.com



HUBBELL
Building Automation



Zone5 Daylight Harvesting Controls



HUBBELL
Building Automation

Daylighting Makes A Difference

Daylighting controls have a real impact on energy budgets. By harnessing the power of the sun, Zone5™ can reduce energy consumption as much as 50% compared to traditional systems. Zone5 offers 1-4 rows of daylight switching, step dimming or full range dimming combined with occupancy sensing and manual control for a full room lighting control solution. A fifth area of control is added for dedicated whiteboard lighting. Color coded plug and play installation and innovative SD Card programming take the guesswork out of start-up.

System Features

Zone 5 daylight harvesting control systems provide the following features:

- Supports up to 4 zones of lighting control plus a 5th zone for whiteboard control
- Daylight switching, stepped dimming or continuous dimming per zone
- Controls both General and A/V lighting
- Intuitive menu driven LCD user interface
- SD card interface for saving and loading system settings
- Event logging
- Daylight Simulator
- System Test and Status
- Contractor friendly, color coded plug and play installation
- UL and cUL listed
- Five-year warranty



QUICK REFERENCE GUIDE

Z5-CM
ZONE5 CONTROL MODULE
PAGE 84



Z5-CM
ZONE5 CONTROL MODULE, 1-4 ROWS

Z5-DS
ZONE5 DAYLIGHT SENSOR
PAGE 85



Z5-DS
ZONE5 DAYLIGHT SENSOR

Z5-OS
ZONE5 OCCUPANCY SENSOR
PAGE 86



Z5-OMDT 2000RP
ZONE5 CEILING MOUNT OCCUPANCY SENSOR
Z5-LODTR P
ZONE5 WALL MOUNT OCCUPANCY SENSOR

Z5-SW
ZONE5 SWITCHES
PAGE 87



Z5-SW-GA V
ZONE5 GENERAL-A/V MODE SWITCH
Z5-SW-AVD ZONE5 GENERAL-A/V
DIMMING SWITCH
Z5-SW-ST ZONE5 STUDY TIME SWITCH
Z5-SW-WB ZONE5 WHITEBOARD SWITCH
Z5-SW-MC ZONE5 MASTER ON/OFF SWITCH
Z5-SW-RCR1 ZONE5 ROW 1 CONTROL SWITCH
Z5-SW-RCR2 ZONE5 ROW 2 CONTROL SWITCH
Z5-SW-RCR3 ZONE5 ROW 3 CONTROL SWITCH
Z5-SW-RCR4 ZONE5 ROW 4 CONTROL SWITCH

Z5-CM

Zone5™ Daylighting Control Module

ZONE5 DAYLIGHTING CONTROLS



FEATURES

- Supports up to 4 zones of lighting control
- Daylight switching, stepped dimming or continuous dimming – per zone
- Controls both General and A/V lighting
- Whiteboard lighting control
- Intuitive menu driven LCD user interface
- Seamless integration with Zone5 sensors and lighting control switches
- SD card interface for saving and loading system settings
- Event logging
- Contractor friendly, color coded plug and play installation
- UL and cUL listed
- Five-year warranty

ORDERING INFORMATION

MODEL

Z5-CM Zone5 Control Module

SPECIFICATIONS

Physical	• 4" W x 12" H x 15" D (110mm x 310mm x 385mm)
Electrical	• Each Zone (1-4) <ul style="list-style-type: none">• 1 relay: general lighting• 1 relay: A/V lighting
	• Dimming: 0-10VDC, capable of controlling up to 50 low voltage, 2-wire, 0-10v dimming ballasts
	• Additional relay for whiteboard lighting
	• Switched output per relay <ul style="list-style-type: none">• 15A tungsten (120v only,) 20A magnetic ballast, 16A electronic ballast• Maximum combined output not to exceed 20A
Certifications	• UL and cUL listed
Memory	• Nonvolatile program storage

OVERVIEW

The HBA Zone5 Daylight Harvesting System features specialized controls tailored to the specific and demanding needs of daylight harvesting applications. The HBA Zone5 Control Module (ZCM) is the central controller of the system. It accurately analyzes and interprets signals from Zone5 plug and play components, including occupancy sensors, daylight sensors and low voltage switches, to control both General and A/V lighting. The ZCM supports up to 4 zones of lighting that can be individually programmed for either daylight switching, stepped dimming or continuous dimming. A fifth zone for standard ON/OFF control of whiteboard lighting is also supported. The Zone5 Control Module features an intuitive menu driven LCD user interface to program system settings, view system/device status, and perform system diagnostics and testing. The ZCM also features an SD card interface that can be used to save system settings and copy them to another controller – thus cutting down on the time required to commission multiple systems. Each contractor friendly Zone5 input device is equipped with a color coded plug and play connectors which snaps into the corresponding color-code port on the Zone5 Control Module.



HUBBELL
Building Automation

Z5-DS

Zone5™ Daylight Sensor

FEATURES

- Daylight sensor for Zone5 Daylight Harvesting System
- Open loop operation
- Foot-candle range: 3-6,000 fc
- Mounts vertically or horizontally
- Architecturally attractive design
- Color coded, plug and play installation
- UL and cUL listed
- 5-Year Warranty



ZONE5 DAYLIGHTING CONTROLS

ORDERING INFORMATION

MODEL

Z5DS Zone5 Daylight Sensor

OVERVIEW

The HBA Zone5 Daylight Sensor provides the necessary daylight-level information to the Zone5 Control Module (ZCM). Using a photodiode element, this sensor continuously measures daylight levels and sends the information to the ZCM for daylight harvesting with lighting in the General (GEN) lighting mode. The daylight sensor supports multiple foot-candle ranges which can be used in normal, skylight or atrium lighting applications.



HUBBELL
Building Automation

Z5-OS

Zone5™ Occupancy Sensors

ZONE5 DAYLIGHTING CONTROLS



FEATURES

- Occupancy Sensors for Zone5 Daylight Harvesting System
- IntelliDAPT® self-adaptive technology – no manual adjustment required
- All-digital dual technology (ultrasonic [US] and passive infrared [PIR] sensor)
- Non-volatile memory for sensor settings
- 1600 and 2,000 square-foot coverage area
- Form C relay with NO/NC outputs
- Color coded, plug and play cables available separately
- UL and cUL listed
- 5-year warranty

ORDERING INFORMATION

MODEL

Z5-OS-OMDT 2000RP Zone5 Occupancy Sensor, Ceiling Mount, PIR and Ultrasonic, Form C Relay, 2000 Sq. Ft.

Z5-OS-LODTR P Zone5 Occupancy Sensor, Wall Mount, PIR and Ultrasonic, Form C Relay, 1600 Sq. Ft.

OVERVIEW

The HBA Zone5 Ceiling Mount and Wall Mount Occupancy Sensors combine ultrasonic (US) and passive infrared (PIR) technologies to turn lighting on and off based on occupancy. This dual technology provides accurate turn-ons while virtually eliminating false-offs. These sensors feature Hubbell Building Automation's patented IntelliDAPT technology, which makes all the sensor adjustments automatically. Throughout the product's lifespan, smart software analyzes the controlled area and makes digital adjustments to sensitivity and timer settings. Occupancy sensors with IntelliDAPT provide a maintenance-free install-and-forget operation.



HUBBELL
Building Automation

Z5-DS

Zone5™ Switch Stations

FEATURES

- Attractive, architecturally pleasing design
- General – A/V lighting control with optional dimming control
- Whiteboard lighting control
- Master and individual row ON/OFF control
- Color coded, plug and play cables available separately
- All switches mount to standard single or multi-gang wall boxes
- Multi-gang wall plates available
- Five-year warranty



ZONE5 DAYLIGHTING CONTROLS

ORDERING INFORMATION

MODEL

Z5-SW-GA V	Zone5 General-A/V Mode Switch
Z5-SW-AVD	Zone5 General-A/V Dimming Switch
Z5-SW-ST	Zone5 Study Time Switch
Z5-SW-WB	Zone5 Whiteboard Switch
Z5-SW-MC	Zone5 Master On/Off Switch
Z5-SW-RCR1	Zone5 Row 1 Control Switch
Z5-SW-RCR2	Zone5 Row 2 Control Switch
Z5-SW-RCR3	Zone5 Row 3 Control Switch
Z5-SW-RCR4	Zone5 Row 4 Control Switch

OVERVIEW

The HBA Zone5 Low Voltage Wall Switches provide manual control of the HBA Zone5 Daylight Harvesting System. The Zone5 system consists of two types of switches – Lighting Control Switches and Master/Row Control Switches. The Lighting Control Switches include a General – A/V switch that enables users to switch between General Lighting and Audio Visual Lighting, a General – A/V lighting dimming switch that raises and lowers light levels in both modes, a whiteboard lighting switch that can control up to two independent whiteboard lights, and a Study Time switch that provides uninterrupted lighting during periods of low activity. The Master/Row Control Switches include a Master ON/OFF switch that turns all lighting ON or OFF, and individual Row (1 – 4) ON/OFF switches that control each row of lighting individually. All Zone5 switches are color coded and provide CAT5 plug and play installation to the Zone5 Control Module.



HUBBELL
Building Automation

Dimming or Switching?



HUBBELL
Building Automation

Alternatives

While dimming is a wonderful way to guarantee additional energy savings from the already low power draw of LED fixtures, entirely shutting them off when not needed can result in even more savings. Hubbell Building Automation's lighting controls are extremely capable and flexible, allowing for multiple solutions to any given situation. The following are non-dimming control options for shutting off all types of fixtures, including LED.

Occupancy Sensors

HBA has a long history of leading the way in the development of innovative occupancy sensing technologies. Today, HBA produces the most comprehensive line of occupancy sensor products on the market – bar none. With infrared, ultrasonic and dual technology sensors, HBA has a product for virtually any lighting control application.

LX Networked Lighting Controls

Designed to control the lighting for your entire building as one integrated system, the LX Series provides the ultimate in harmony of technology and simplicity. Capable functional lighting control systems don't have to be difficult to use or install. As lighting control systems and devices have evolved, their capabilities and functionality have grown immensely. The LX Lighting Control system delivers all of the function and features needed to get your lighting energy cost under control in a simple approach that removes the complexities. With its self-powered, topology free, polarity insensitive network and a easy to use graphic user interface, the LX Lighting Control System delivers the energy saving technologies you need without the complexities you don't.

OCCUPANCY | VACANCY SENSORS

Industry-Leading Technology

Hubbell Building Automation (HBA) sets the standards for energy-saving lighting control technology. Our line of passive infrared (PIR), ultrasonic (US), and dual technology occupancy sensors use our patented IntelliDAPT® technology, designed specifically to save you energy and money.

IntelliDAPT Technology

Traditional occupancy sensors need manual adjustment throughout the year when seasons, airflow, furniture layout, or occupancy patterns change. If sensors are not constantly monitored and adjusted, energy savings will not reach their potential. The key to maximizing energy savings for every building is HBA's patented IntelliDAPT technology for occupancy sensors. The digital microprocessor makes all the sensor adjustment decisions automatically. Throughout the product's lifespan, smart software analyzes the controlled area and makes digital adjustments to sensitivity and timer settings. Occupancy sensors with IntelliDAPT provide maintenance-free "Install and Forget" operation.

Passive Infrared Technology

For major-motion detection, passive infrared (PIR) sensors provide the best solution. These sensors use a specially designed lens to divide the space of an area into zones. When a person moves between zones, the sensor promptly turns on the lights. PIR sensors are perfect for small enclosed areas with frequent occupant movement.

Ultrasonic Technology

For superior detection of minor-motion activity (e.g. typing), ultrasonic (US) sensors provide the best solution. These sensors emit silent sound waves into an area. Movement in the area causes frequency shifts between the emitted and reflected waves. This is interpreted as occupancy. US sensors do not require a clear line of sight and are ideal for offices with cubicles and restrooms with stalls.

Dual Technology

For maximum reliability, dual technology sensors combine PIR and US technologies. Both technologies must detect occupancy to activate lighting, but only one technology must detect occupancy for lighting to remain active. Dual technology sensors are the best solution for most applications.

LX NETWORKED LIGHTING CONTROLS

The LX Networked Lighting Control System provides complete integrated control of building lighting systems for maximum energy savings. The use of a simple and easy to understand handheld Graphic User Interface makes programming and system changes easy. The LX System utilizes a Lonworks® based operating system that connects via a simple two wire network. All of the intelligent panels and system devices hold their own programming allowing for trouble-free communications. The LX Control Panels are available as relay only panels or as fully bussed circuit breaker relay panels. A wide variety of network system devices including Dual Technology Motion Sensors, Photocell Control Modules, Switch Stations and Dry Contact Interface Modules are available for any lighting control scenario.

Key Features

The LX networked lighting controls provide the following features:

- Unique handheld touch screen GUI
- 20 Amp 1-pole or 2-pole mechanically latching relays
- Multiple size Relay Panels available (4, 8, 16, 32, and 48 relays)
- Circuit Breaker Relay Panels available (12, 18, 30, and 42 spaces)
- Powered, topology-free, polarity-insensitive, 2-wire communication
- LonWorks® "open system" architecture
- LonMark® certified
- Seamless integration with major building protocols, such as LON, BACNET® and MODBUS®
- Web server based real-time programming capability
- 99 global schedules, presets and groups
- 365-day time clock
- Automatic daylight savings time and leap year compensation
- Built-in astronomical time clock for sunrise and sunset programming
- UL and cUL listed
- 2-year warranty

HUBBELL INDUSTRIAL



Hubbell Industrial Lighting provides products and systems for varied applications, from vast warehouses, complex machinery and large mass merchandisers, to a wide range of process and assembly industries.



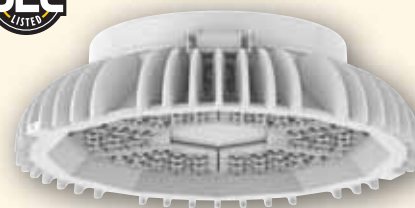
LED Highbay Series

The LED Highbay Series is designed to efficiently light any large interior space with its high performance LED design and delivery of up to 100 lumens per watt of 5000 deg K light. The unique radial design with fins of durable cast aluminum allow it to operate in -40 °C to 55 °C ambient environments and keeps the LEDs cool resulting in an estimated 100,000 hours of life at L70.

The LED Highbay offers nine unique fixture versions for a wide variety of applications.

The LED Highbay is DesignLights Consortium® qualified for general highbay fixtures.

The total wattage ranges from 112-169 watts with a lumen output ranging from 10,000 to almost 17,000 lumens. The LED Highbay comes standard with 0-10v dimmable, universal voltage LED drivers with input from 120v to 277v at 50hz or 60 hz. Surge protection is included as standard. Complete fixture assembly is IP56. DLC Approved.



HIGHBAY

ORDERING INFORMATION

HBL	-		-		-		-		-	070	-		-	
SERIES													DRIVE CURRENT	
HBL LED Highbay													070 700 MA	
NUMBER OF LEDs													COLOR TEMPERATURE	
48L 48 High brightness LEDs													27K 2700K	
60L 60 High brightness LEDs													3K 3000K	
72L 72 High brightness LEDs													35K 3500K	
Note: -72L configurations must be mounted at least 24" below the finished ceiling for proper thermal performance. -48L and -60L configurations are approved for all available mounting configurations. Mounting restrictions are not applicable when the fixture is used in a cooler or freezer.													4K 4000K	
													5K 5000K	
													Note: Refer to product spec sheet for more details	
													OPTIONS	
													Fx Fusing (Replace "x" with voltage - Refer to spec sheet for more info.)	
													ENCA Acrylic Protective Lens	
													ENCG Glass Protective Lens	
													OCS(X) Occupancy Sensor	
													WG Bottom Wire Gaurd	
													WIHUBB Wireless Control System	

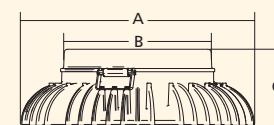
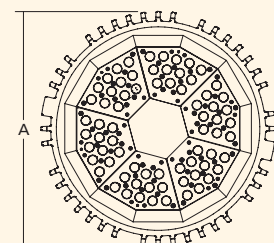
Accessories - Order Separately

Catalog Number	Description
H00K/LOOP	Fixture Mountin Hook
BLA-C4HLPX	Cord and Plug Set
LG2S	DUAL-LITE 250 VA LiteGear Emergency Lighting Inverter

Note: One (1) LED Highbay per LG2S

LED SYSTEM INFORMATION

Catalog Number	Input Watts	LEDs	Color Temperature	CRI	Total Lumens	Lumens per Watt	Ambient Temperature
HBL-48LU-5K-N-070-WH	112	48	5000° K	68	11206	100	55° C
HBL-48LU-5K-W-070-WH	112	48	5000° K	68	10778	96	55° C
HBL-48LU-5K-A-070-WH	112	48	5000° K	68	10213	91	55° C
HBL-60LU-5K-N-070-WH	139	60	5000° K	68	14007	101	50° C
HBL-60LU-5K-W-070-WH	139	60	5000° K	68	13472	97	50° C
HBL-60LU-5K-A-070-WH	139	60	5000° K	68	12776	92	50° C
HBL-72LU-5K-N-070-WH	169	72	5000° K	68	16808	99	45° C
HBL-72LU-5K-W-070-WH	169	72	5000° K	68	16166	96	45° C
HBL-72LU-5K-A-070-WH	169	72	5000° K	68	15319	91	45° C

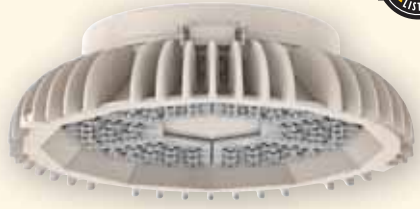


A	B	C
18"	11"	6"
457 mm	288 mm	152 mm

HBLH

Hazardous LED Highbay

HIGHBAY



The HBLH Series Hazardous LED Highbay is designed to efficiently light classified areas in heavy industrial settings and warehouses with its high performance LED design and delivery of up to 100 lumens per watt of 5000 deg K light. The unique radial design with fins of durable cast aluminum allow it to operate in -40° C to 55° C ambient environments and keeps the LEDs cool resulting in an estimated 100,000 hours of life at L70.

The HBLH Series offers nine unique fixture versions for a wide variety of applications.

The total wattage ranges from 112-169 watts with a lumen output ranging from 10,000 to almost 17,000 lumens. The HBLH Series comes standard with 0-10V dimmable, universal voltage LED drivers with input from 120v to 277v at 50hz or 60 hz. Surge protection is included as standard. Complete fixture assembly is IP56.

ORDERING INFORMATION



SERIES
HBLH Hazardous LED Highbay

MOUNT
A Pendant
C Cone
S Straight stanchion
X Ceiling
Y Yoke

VOLTAGE
U 120 - 277V

NUMBER OF LEDs
48L 48 High brightness LEDs
60L 60 High brightness LEDs
72L 72 High brightness LEDs

HUB
2 3/4" Hub
Available with A, C, X and Y Mount
3 1" Hub
Available with A, C, X Mount
4 1 1/4" Hub
5 1 1/2" Hub
Available with S Mount

DISTRIBUTION
N Narrow
W Wide
A Aisle

COLOR TEMPERATURE
27K 2700K
3K 3000K
35K 3500K
4K 4000K
5K 5000K

DRIVE CURRENT
070 700 MA

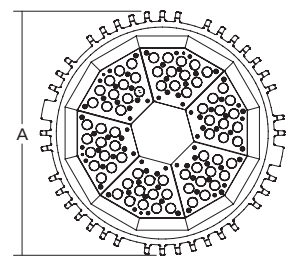
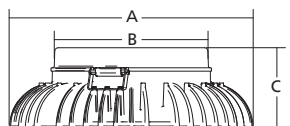
OPTIONS
ENCA Acrylic Protective Lens
ENCG Glass Protective Lens
WG Bottom Wire Gaurd

Note: Refer to product spec sheet for more details

LED SYSTEM INFORMATION

Catalog Number	Input Watts	LEDs	Color Temperature	CRI	Total Lumens	Lumens per Watt	Temperature Code
HBLH-48LU-5K-N-070-WH	112	48	5000° K	68	11206	100	T5
HBLH-48LU-5K-W-070-WH	112	48	5000° K	68	10778	96	T5
HBLH-48LU-5K-A-070-WH	112	48	5000° K	68	10213	91	T5
HBLH-60LU-5K-N-070-WH	139	60	5000° K	68	14007	101	T5
HBLH-60LU-5K-W-070-WH	139	60	5000° K	68	13472	97	T5
HBLH-60LU-5K-A-070-WH	139	60	5000° K	68	12776	92	T5
HBLH-72LU-5K-N-070-WH	169	72	5000° K	68	16808	99	T5
HBLH-72LU-5K-W-070-WH	169	72	5000° K	68	16166	96	T5
HBLH-72LU-5K-A-070-WH	169	72	5000° K	68	15319	91	T5

A	B	C
18"	11"	6"
457 mm	288 mm	152 mm



HBLHA

Severe Location LED Fixture

HBLHA LED highbay is a LED highbay designed to be used in higher temperature environments. It is rated for usage in up to 65°C environments. This fixture builds from the solid platform of the HBL LED highbay and maintains all of the performance features. It has up to 100 lumens per watt from the unique Hubbell designed optics. These optics allow three different lighting distributions of narrow, wide and aisle. The HBLHA also maintains the three LED counts of 48, 60 and 72 to allow three

different light levels. The HBLHA is die cast from low copper aluminum < .04% CU) for corrosion resistance. It is then powder coated in our high quality polyester paint. The top casting is offered in five different mounting styles for application flexibility. The important specification on the fixture include 100K hours at L70, sealed IP56 rating, 68 CRI and it is listed to the UL 1598 standard as a wet location fixture.



SEALED

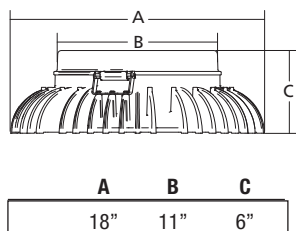
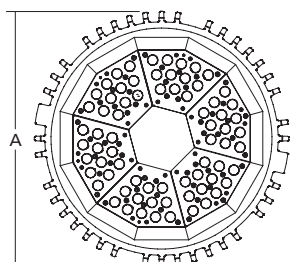
ORDERING INFORMATION

HBLHA - [] - [] - [] - [] - [] - [] - 070 - [] - [] - []	
SERIES HBLHA Highbay HBL Series	MOUNT A Pendant C Cone S Straight Stanchion X Ceiling Y Yoke
# OF LEDS¹ 48L 48 High Performance LEDs 60L 60 High Performance LEDs 72L 72 High Performance LEDs	COLOR TEMP 27K 2700° Kelvin 3K 3000° Kelvin 35K 3500° Kelvin 4K 4000° Kelvin 5K 5000° Kelvin
VOLTAGE² U Universal 1 120v 2 208v 3 240v 4 277v	HUB 2 3/4" (available with A, C, X, and Y mount) 3 1" (available with A, C, and X mount) 4 1 1/4" 5 1 1/2" (available with S mount)
DRIVE CURRENT 070 700MA	DISTRIBUTION N Narrow W Wide A Aisle
WIRE GUARD WG Bottom Wire Guard	COLORS BL Black GR Grey WH White
OPTIONS³ F(x) Fusing (replace "x" with voltage) ENCA Acrylic Protective Lens ENCG Glass Protective Lens OCS(x) Occupancy Sensor WG Bottom Wire Guard	

¹-72L configurations must be mounted at least 6" below the finished ceiling for proper thermal performance. -48L and -60L configurations are approved for all available mounting configurations. Mounting restrictions are not applicable when the fixture is used in a cooler or freezer.

² Voltage must be specified for Fusing and Occupancy Sensor compatibility.

³1.OCS unavailable with ENCA or ENCG2.OCS



KEMLUX III LED

Severe Location LED Fixture

SEALED



The Kemplux III LED Series Hazardous location fixture is designed to efficiently light severe, corrosive and harsh applications with its high performance LED design while delivering up to 105 lumens per watt of 5000 deg K light. The unique radial design with fins of durable copper-free, cast aluminum allow it to operate in -40 °C to 40 °C ambient environments and keeps the LEDs cool resulting in an estimated 100,000 hours of life at L70. The Kemplux III LED Series offers a modular design with 6 mounting options for 54

fixture versions for a wide variety of applications. The total wattage ranges from 43-86 watts with a lumen output ranging from 4405 to 9004 lumens. The Kemplux III LED Series comes standard with universal voltage LED drivers with input from 120v to 277v at 50hz or 60 hz. Surge protection is included as standard. Complete fixture assembly is IP56.

ORDERING INFORMATION

KSL	-	U	-	5K	-	-	-	TN	-
SERIES KSL Severe Location		WATTAGE 43 43 watts, 18 LEDs 57 57 watts, 24 LEDs 86 86 watts, 36 LEDs		COLOR TEMP. 5K 5000° Kelvin		OPTICS 5M Type V Square 5R Type V Rectangle N Narrow		HUB 2 3/4" 3 1" 4 1 1/4" 5 1 1/2"	COLORS TN Tan
NUMBER OF LEDs 18L 18 High performance LEDs 24L 24 High performance LEDs 36L 36 High performance LEDs		VOLTAGE U 120 - 277V 1 120V 2 208V 3 240V 4 277V 5 480V F 347V		MOUNT A Pendant B Wall Bracket C Cone D Stanchion 25° N None (Mount Ordered Separately) S Straight stanchion X Ceiling		OPTIONS WIH Wireless Control System wiHUBB SC70 70% light output when dimmed/ 30% energy savings SC50 50% light output when dimmed/ 50% energy savings SC30 30% light output when dimmed/ 70% energy savings SCO No light output when dimmed/ On/Off control F(x) P1 P2 P3			

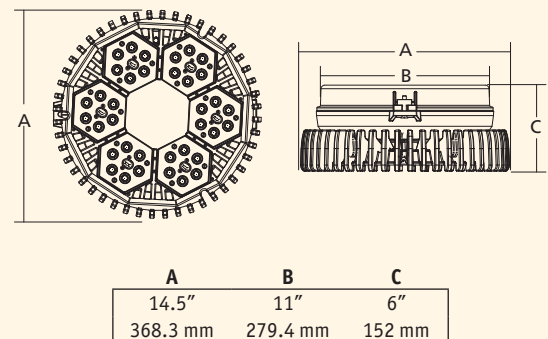
ACCESSORIES - Order Separately

Catalog Number	Description
WG	Wire Guard

Notes:
1. Fusing 1-120V, 2-208V, 3-240V, 4-277V, 6-347V
2. Must specify voltage on order

LED SYSTEM INFORMATION

Catalog Number	Input Watts	Input Watts	Input Watts	Total Lumens Per Watt	HID Equivalent
18	STD. (700 MA)	43	4410	103	100w HID
			4323	101	
			4405	102	
24	STD. (700 MA)	57	5988	105	175w HID
			5712	100	
			5896	103	
36	STD. (700 MA)	86	9004	105	250w HID
			8473	99	
			8747	102	



LIGHTWATT LED

Severe Location LED Fixture

The Lightwatt LED luminaire provides comfortable, high efficiency illumination on vertical and horizontal surfaces. Ideal for warehouses, shipping docks, stairwells, and especially for low ceiling areas.

The Lightwatt® LED refractor provides a spacing to mounting height up to 1.3:1 and projects light into, underneath and between industrial obstructions like HVAC ducts and electrical raceways. Lightwatt's photometric distribution provides over 7% uplight to soften the brightness

difference between the luminaire and the surrounding areas and provide a three dimensional luminous environment. This sealed refractor based fixture produces about 75 lumens per watt of low glare, high quality LED light.

The Lightwatt LED Housing is 99% copper free aluminum with white Lektrocote® finish. Refractor is injection molded of high performance acrylic. Up to 45°C ambient.



SEALED

ORDERING INFORMATION

LWL - [] - 30 - L - U - [] - [] - []

SERIES	# OF LEDS	VOLTAGE	COLOR	OPTIONS
LWL	30 30 LEDS (71 watts)	U Universal Voltage (120-277V 50/60 Hz)	WH White (standard) GR Grey (optional)	C(X)HL ² Cord, Hook/Loop F(X) ¹ Fusing ("X" indicates Voltage) FP National Sanitation Foundation LA Latched Refractor LTP Tamper Resistant Screws

MOUNT

- J J-Box (damp location)
- P Balanced Pendant (wet location)
- C ceiling Thru-Wire (wet location)
- B Pipe Wall Bracket (wet location)
- S Stanchion/Davit (wet location)

SOURCE

- L LED

REFRACTOR

- A Acrylic
- P Polycarbonate

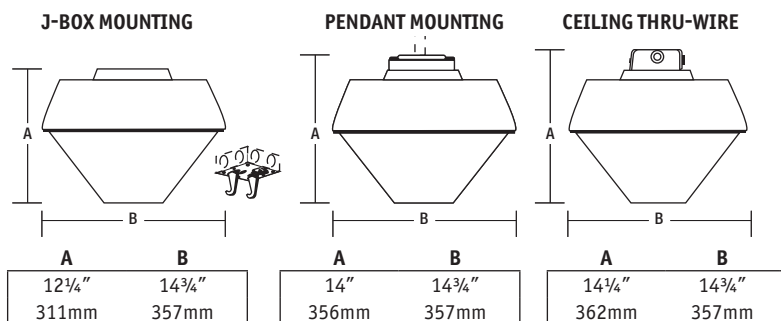
NOTE: Fast-Lock J-Box mounting-recessed J-Box requires installation of the included 11/2" extension ring (supplied).
 1 For voltage, replace second X with 1 - 120V, 2 - 208V, 3 - 240V, 4 - 277V.
 2 For cord length by the foot, replace X with 2 - 2', 4 - 4', 6 - 6', 8 - 8', 10 - 10', 12 - 12'.

PROJECTED LUMAN MAINTENANCE

AMBIENT TEMP	OPERATING HOURS					
	0	25,000	50,000	TM-21-11 L98 60,000	100,000	L70 (HOURS)
25°C/77°F	1.00	0.97	0.95	0.95	0.92	>539,000

ELECTRICAL DATA

# OF LEDS	DRIVE CURRENT (MA)	INPUT VOLTAGE	CURRENT (AMPS)	SYSTEM POWER (W)
30	700 mA	120	0.60	70.00
		277	0.30	



LUNABAY

Severe Location LED Fixture



The Lunabay is a unique, patented LED highbay for use in lighting large interior spaces such as retail stores and light industrial facilities. It can also be used for gyms and multipurpose rooms in schools.

A key feature of the Lunabay is the up light component. This lights and defines the ceiling helping to eliminate the "cave" effect.

The Lunabay's unique optical system mixes the light of all 56 LEDs to produce color

correct, low glare illumination. The clear WA22 and the translucent WW22 optics both have an up light component.

Four universal 120v to 277v LED drivers power 56 high-output LEDs giving system flexibility. Total system wattage for the Lunabay is 125 watts.

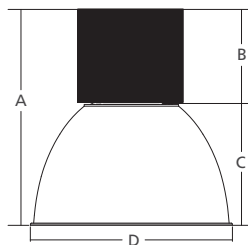
The top cylinder can be painted any of seven colors to match interior accents. Custom colors are available. Contact factory for details.

ORDERING INFORMATION

LBX	56	L					
SERIES	# LEDs	SOURCE	VOLTAGE	COLOR TEMP	MOUNT/HUB	OPTICS	COLOR
	56 56 LEDs	L High Power LED	U 120 - 277V 1 120V 2 208V 3 240V 4 277V	5K 5000° Kelvin 27K 2700° Kelvin 3K 3000° Kelvin 35K 3500° Kelvin 4K 4000° Kelvin	A2 Pendant 3/4"	WA22 22" wide acrylic reflector WW22 22" wide translucent acrylic reflector	BL Black DB Dark Bronze FG Forest Green GR Grey PS Platinum Silver RD Red WH White
							OPTIONS
							WIH Wireless Control System wiHUBB SCO No light output when dimmed/ On/Off control SC50 50% light output when dimmed/ 50% energy savings WG23 Wire Guard

LED SYSTEM INFORMATION

LEDs	Input Watts	Drive MA	Color	CRI
56	125	700 MA	5000° K	68



A	B	C	D
22"	8"	14"	23"

Hazardous LED Fixture

HLEML LED Series fixtures are designed for installations where moisture, dirt, dust, corrosion and vibration may be present, or NEMA 3 and 4x areas where wind, water, snow or high ambients can be expected. They can be used in locations made hazardous due to the presence of flammable or explosive gases, vapors and combustible dusts as defined by the NEC. Applications include classified areas such as paint manufacturing plants, ammunition facilities, oil and gas producing and refining plants, off-shore

and dockside installations, tank farms, pipeline pumping stations and marine loading and fuel transfer terminals.

HLEMI LED fixture provides 2,900 lumens (Clear Globe) while using less than 50W of power. It is factory sealed - no external seal required. Simply wire mounting cap and thread in fixture to install. Ambient suitability is -40°C to +55°C.



CLASS 1 DIVISION 1

ORDERING INFORMATION

[]	[]	30	[]	[] - []
SERIES	WATTAGE	VOLTAGE	MOUNT	GUARD - ASSEMBLED
HLEMLC Tank w/ Clear Globe HLEML Tank w/ Fluted Globe	45 45 Watts	30 120 - 277V 50/60Hz	A2 3/4" Pendant A3 1" Pendant X2 3/4" Ceiling X3 1" Ceiling B2 3/4" Bracket B3 1" Bracket D4 1 1/4" / 1 1/2" Stanchion	G Guard AN Assembled

COMPONENTS

Catalog Number	Description
Mounting Adapters	
EMG2¹	Guard
ERSD30²	Dome Reflector
ERA30²	Angle Reflector
VMHKPC1	C1D1 C2D1 N4X Photocell 120Vac
VMHKPC2	C1D1 C2D1 N4X Photocell 208-277Vac
EMGS3	Replacement Fluted Globe & Support
EMGS2	Replacement Clear Globe & Support

- Guards are cast of copper-free aluminum with electrostatically applied epoxy/polyester
- Reflectors are aluminum with white finish

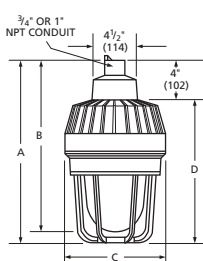
ACCESSORIES - Order Separately

Catalog Number	Description
ERSD30	Dome Reflector
ERA30	Angle Reflector

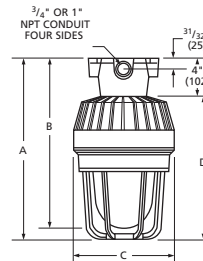
TEMPERATURE CODES

Class I, Division 1 & 2 HLEMI and HLEBF Series Hazardous Location Application Data

Catalog Number	Ambient	C1D1/ C1Z1	C2D1	L70	Supply Wire
EML(C)4530	40 °C	T6	T4A (EFG)	55,000 HRS	75 °C
EML(C)4530	55 °C	T5	T4 (EFG)	50,000 HRS	90 °C



PENDANT	A	B	C	D
	15 15/16"	15 1/16"	8 13/16"	11 15/16"



CEILING	A	B	C	D
	14 5/16"	13 11/16"	7 7/16"	10 5/16"

LED V Series

Energy Efficient LED Vaportite Enclosed & Gasketed

SEALED













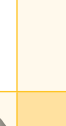
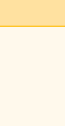
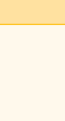
The LED V Series fixture is constructed of an extruded aluminum heat sink and a die-cast socket body containing LED light engine with Cree high output LEDs. LED V Series fixtures are offered in pendant, ceiling, wall outlet and stanchion mounts, common with the incandescent Vaportite.

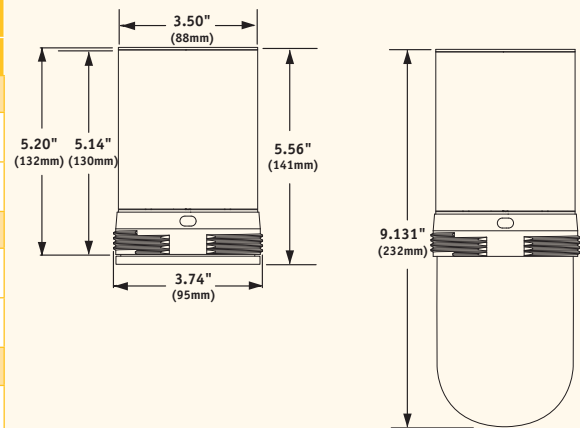
LED V Series fixture features:

- Long LED life, up to 50,000 hrs
- Very low energy use – only 18.7w per fixture

- Rated for ambient temperature of 40 °C
- Can be retrofitted to existing Hubbell Vaportite fixtures
- 120-277V universal power supply
- Listed to UL1598 for use in wet locations
- Frosted glass globe or acrylic flat lens
- Die-cast aluminum mounts: pendant, ceiling, wall outlet, stanchion

ORDERING INFORMATION (COMPLETE CATALOG NUMBERS AND COMPONENTS) DIMENSIONS

Complete Catalog Numbers	Hub Size	Component Catalog Numbers			
		Mount	Body	Optic	
Pendant Globe					
	VL15P1G	1/2"	VP-1	V8LU15	VL15LG
	VL15P2G	3/4"	VP-2	V8LU15	VL15LG
Pendant Acrylic					
	VL15P1A	1/2"	VP-1	V8LU15	VL15A
	VL15P2A	3/4"	VP-2	V8LU15	VL15A
Ceiling Globe					
	VL15X1G	1/2"	VX-1/VAP	V8LU15	VL15LG
	VL15X2G	3/4"	VX-2/VAP	V8LU15	VL15LG
Ceiling Acrylic					
	VL15X1A	1/2"	VX-1/VAP	V8LU15	VL15A
	VL15X2A	3/4"	VX-2/VAP	V8LU15	VL15A
Wall Outlet Globe					
	VL15W1G	1/2"	VW-1/VX-1	V8LU15	VL15LG
	VL15W2G	3/4"	VW-1/VX-2	V8LU15	VL15LG
Wall Outlet Acrylic					
	VL15W1A	1/2"	VW-1/VX-1	V8LU15	VL15A
	VL15W2A	3/4"	VW-1/VX-2	V8LU15	VL15A
Stanchion Globe					
		1 1/4"	VD-4	V8LU15	VL15LG
Stanchion Acrylic					
		1 1/4"	VD-4	V8LU15	VL15A



COMPONENT CATALOG NUMBERS

Catalog Number	Mounts
VP1	Pendant mount 1/2" Hub
VP2	Pendant mount 3/4" Hub
VX1 & VAP	Ceiling outlet box and adapter plate, hub
VX2 & VAP	Ceiling outlet box and adapter plate, hub
VAP	Ceiling plate adapter only
VW1 & VX1	Wall arm outlet box, hub 1/2"
VW1 & VX2	Wall arm outlet box, hub 3/4"
VW1	Wall arm mount only
VD4	Stanchion mount, hub 1-1/4"

Catalog Number	Bodies
V8LU15	Small LED body

Catalog Number	Optics
VL15A	Flat acrylic lens, frosted
VL15LG	Frosted glass globe

Catalog Number	Guards
VCG-15 ¹	Cast aluminum reflectors guard
VRSD-15 ¹	White poly-pro



1 Not for use with flat acrylic lens

DOKSTAR™

LED Loading Dock Light

Dokstar™ Series LED loading dock lights require 97% less electricity, far less energy than traditional fixtures while accomplishing the same lighting task. Dokstar™ Series LED dock lights combine energy savings with maintenance free longevity and quality.

Low maintenance costs coupled with our advanced thermal management techniques ensure the Dokstar™ will perform over time where many competing offerings will not.

Dokstar™ Series LED Loading Dock Lights deliver high quality superior light over incandescent,

quartz or metal halide fixtures traditionally used in loading dock applications.

- Dokstar™ fixtures are perfect for industrial, manufacturing and warehousing
- Designed to illuminate tractor trailers up to 53' for loading and unloading
- Excellent for any application requiring long life and low maintenance costs
- 100,000 hrs LED life (L70)
- Listed to UL1598 for use in wet locations
- IP66



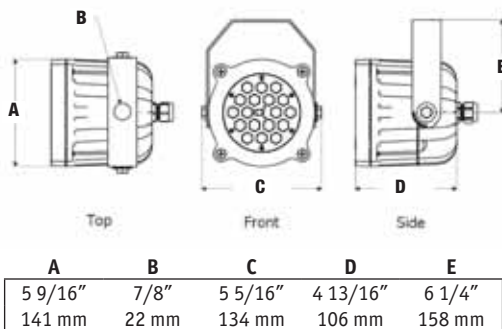
DOCK LIGHT

ORDERING INFORMATION

DOK	-	L	U	-	5K	-		-				
SERIES		SOURCE		VOLTAGE		OPTICS		CORD		LENS		OPTION
DOK Dokstar™ LED Loading Dock Light		L LED		U 120 - 277V		SP 12 Degree spot (standard) FL 32 Degree flood (special order)		C6¹ 6' cord C6715P¹ 6' cord with 15 amp NEMA twist loc plug C6515P¹ 6' cord with 15A straight blade plug C3C13P^{1,2} 3' cord with IEC plug		PC Polycarbonate lens		DL40² 40" Double strut dock arm DSDL40² 40" Double strut swing arm
NUMBER OF LEDS				COLOR TEMPERATURE						SWITCH		
6 LED (6 Chip) 12 LED (12 Chip) 18 LED (18 Chip)				5K 5000K (All other color temperatures are special order)						IRS² In-line rocker switch		

1 All Dokstars™ require a cord option
2 If an arm (DL40 or DSDL40) is required the C3C13P cord & IRS in-line rocker switch are also required

DIMENSIONS



Dokstar™ with optional Dock Arm – DSDL40





BRAND PROFILE

- Founded in 1963

Hubbell Outdoor Lighting established its position as the high quality producer of outdoor lighting serving the full range of commercial, institutional and industrial outdoor applications. With an in-depth knowledge of the electrical distributor and contractor markets, Hubbell Outdoor Lighting has consistently combined innovative energy-saving technology, practical lighting solutions and service-oriented performance.

PRODUCT OFFERING

Hubbell Outdoor Lighting provides energy-efficient LED lighting solutions for a wide variety of outdoor applications including: floodlighting, wallpacks, landscape, parking garage, roadway, dusk-to-dawn, solar and vaportites. Hubbell Outdoor Lighting brands' luminaires integrate the latest LED advancements and deliver optical performance better than historical HID fixtures with higher lumen packages. By leveraging the advantages of solid state technology, our versatile portfolio delivers ideal outdoor lighting solutions with longer life, more visual acuity, better uniformity and reduced energy usage. All these attributes provide value-oriented, energy-saving, environmentally friendly luminaires.





LED

FLOODLIGHTING

LED PRODUCTS GUIDE

LED Products Guide/
Floodlighting and Building
Mount Selection Guides
pages 104-105



FSL
Floodlight
pages 106



FML
Floodlight
pages 107



Miniliter MHS
Floodlight
pages 108



Magnuliter MLED
Floodlights
page 109



Laramie LFS
Floodlight
page 110



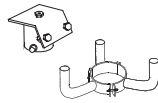
ALF
Floodlights
page 111



309
LED Lampholder
page 112



Floodlighting
Photocontrols
page 113



Floodlighting
Mounting/Accessories
page 114-115

WALLPACKS



Laredo LNC
Wallpack Family
page 116



Laredo LNC2
Wallpack Family
page 117



Laredo LCC
Wallpack
page 118



Laredo LMC
Wallpack
page 119



Laredo LMC BOC
Wallpack
page 119



TRPC/QSPC/RDIC
Compact Wallpacks
page 120



TRP
Wallpacks
page 121



QSP
Wallpacks
page 121



RDI
Wallpacks
page 121



RTP
Wallpacks
page 121



NRG*312 Series
Perimeter Wallpack
page 122



Perimaliter®
PGM3 Glass
Wallpack
page 123



Perimaliter®
PVL3 Polycarbonate
Wallpack
page 123

CEILING/SURFACE/CANOPY/GARAGE

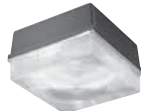
LED CONTROLS



Euroluxe® BRLU
Decorative
Wall/Ceiling
page 124



Hercules® HVS/HVL
Vandal Resistant
Series
page 124



Lumasquare® II
NRG*4000
page 125



Sedona SCP
Surface/Ceiling/Garage
page 126

LED CONTROLS GUIDE

Sedona SCP Controls
Surface/Ceiling/Garage
page 127

ROADWAY

VAPORTITES

DUSK-TO-DAWN

LANDSCAPE



RM Series
Roadway
page 128



RL Series
Roadway
page 129



VBGG/VWGG
Vaportites
page 130



DDL
Multipurpose Luminaire
page 131



12V LED Lightscape®
family page
132-133

SOLAR LIGHTING

SOLAR LIGHTING GUIDE



Laredo LCC DC
Solar Wallpack
page 135



Euroluxe® BRLU
Solar Wall/Ceiling
page 135



Laramie LFS
Solar Floodlight
page 136



RMCT Series
Solar Roadway
page 137



CR1D Series
Solar Area/Site
page 138



TMR/TMS Series
Solar Tempe Bollards
page 139

LED Products Guide

HUBBELL OUTDOOR

Hubbell Outdoor and Spaulding Lighting brands provide energy-efficient LED lighting solutions for a wide variety of outdoor applications from area/site, floodlighting, landscape and low level pedestrian to wallpacks. Hubbell Outdoor Lighting brands' luminaires integrate the latest LED advancements and deliver optical performance that can perform as well as, and in most cases, better than historical HID fixtures with higher lumen packages. By leveraging the advantages of solid state technology, our versatile portfolio delivers ideal outdoor lighting solutions with longer life, more visual acuity, better uniformity and reduced energy usage.

There are many factors to consider when choosing LED lighting. As leading experts in this field, we have developed performance information for each product below the ordering nomenclature. This resource will help guide you in your luminaire selection process.

PERFORMANCE INFORMATION

Each product in this guide includes complete product information in easy to read modules. Information specific to energy-efficiency, LED performance, traditional luminaire source equivalency, CCT and application is outlined below.





Percentage of energy savings over traditional light sources

Equivalent traditional light sources

Total watts consumed by luminaire

Suggested application

Voltage range options

Series Number	Equivalency			Delivered Lumens	System Watts	Lumens Per Watt	Mounting Height	CCT	Voltage	Drivers/ Current
	MH	HPS	CFL							
 LMC-30L	250w	250w	2x42w	6,023	70	86	15-18 ft.	5100K	120-277V	2@700mA
 LMC-30L-035	150w+	150w+	2x42w	3,448	35	99	12-15 ft.	5100K	120-277V	1@350mA

Industry listings, energy-efficient qualifications and environmental qualifications

Number of LEDs

Maximum lumens produced by luminaire

Luminaire efficiency

(CCT) Correlated Color Temperature

Number of drivers and drive current

ADDITIONAL LED LIGHTING RESOURCES

Hubbell Outdoor Lighting brands offer additional on-line and printed resources providing information on energy-efficient LED lighting solutions for a variety of outdoor applications from area/site, floodlighting, landscape and low level pedestrian to wallpacks.

LED RESOURCES:

- LED building mount selection guide
- LED floodlighting selection guide
- Cimarron LED – Guide to energy efficient parking lot lighting designs
- Cimarron LED – Auto dealership case study
- Cimarron LED – TD convention center case study
- Roadway LED retrofit case study
- Solar lighting solutions

Visit www.hubbelloutdoorlighting.com or www.spauldinglighting.com for the most up-to-date information.



LED Selection Guides

Floodlighting Selection Guide



WIDE BEAM



MEDIUM BEAM



NARROW BEAM

HUBBELL OUTDOOR



Building Mount Selection Guide

15 - 20 ft	DDL-9L*	LAREDO LMC-30L	PGM3*	PVL3*	175-250w HID	
12 - 15 ft	LAREDO LNC2 18L	LAREDO LNC2 12L*	LAREDO LMC-30L-035	TRP	RTP	70-150w HID
10 - 12 ft	LAREDO LNC 9L*			RDI	QSP	
UP TO 10 ft	LAREDO LNC 7L*	LAREDO LNC 5L*	LAREDO LCC	TRPC	RDIC	QSPC
				ALFW-6LU*	EUROLUXE	NRG-312LU*

*EXPRESSLINE PRODUCTS



HUBBELL
Outdoor Lighting

FSL LED FLOOD

Decorative Flood

FLOODLIGHTING

NEW





- Ultra-compact size measuring only 4.5" x 7.49" x 4.03"
- Wide flood NEMA 6 x 6 distribution for general purpose flood and facade lighting
- Traditional 1/2" x 14 NPS threaded adjustable knuckle mounting
- 120-277V operation (PC version 120V only)
- Rugged die-cast aluminum housing with dark bronze finish
- High impact UV stabilized acrylic outer lens protects LEDs and allows for cleaning and debris removal
- IP66, listed to UL1598 for use in wet locations
- Four color multi-language merchandising carton with application details
- Visor and vandal shield available
- Vented housing isolates LED module from driver maximizing product life and performance

ORDERING INFORMATION

Catalog Number	Mount	Beam Pattern	Wattage	Drive Current	Voltage	Color Temperature	Lumens	LPW	Weight lbs. (kg)
FSL-7	1/2" thread	Wide	26.5	1050mA	120-277V	5100K	2040	77	6 (2.7)
FSL-7-PC1	1/2" thread	Wide	26.5	1050mA	120V	5100K	2040	77	6 (2.7)

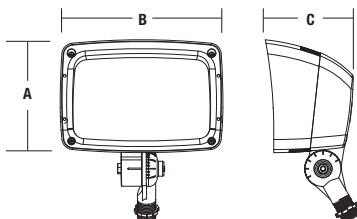
PERFORMANCE INFORMATION

Series Number	Equivalency			Delivered Lumens	System Watts	Lumens Per Watt	Max Candle Power	Beam Pattern	CCT	Voltage	Drivers/Current
	MH	HPS	CFL								
 FSL-7	100w	100w	42w	2040	26.5	77	1450	Wide	5100K	120-277V	1@1050mA
 FSL-7-PC1											

ACCESSORIES - Order Separately

Catalog Number	Description
FSL-SPC	Polycarbonate shield/lens (Replaces existing acrylic lens)
FSL-VISOR	Top/Bottom visor (Tap holes in lens frame for field installation)

DIMENSIONS



A	B	C
4.5"	7.49"	4.03"
114 mm	190 mm	102 mm

LED FLOOD FML

Decorative Flood

- Compact size measuring only 6.68" x 9.63" x 4.53"
- Wide flood NEMA 6 x 6 distribution for general purpose flood and facade lighting
- Traditional 1/2" x 14 NPS threaded adjustable knuckle mounting
- 120-277V operation (PC version 120V only)
- Rugged die-cast aluminum housing with dark bronze finish
- High impact UV stabilized acrylic outer lens protects LEDs and allows for cleaning and debris removal
- IP65, listed to UL1598 for use in wet locations
- Four color multi-language merchandising carton with application details
- Visor and vandal shield available
- Vented housing isolates LED module from driver maximizing product life and performance





FLOODLIGHTING

ORDERING INFORMATION

Catalog Number	Mount	Beam Pattern	Wattage	Drive Current	Voltage	Color Temperature	Lumens	LPW	Weight lbs. (kg)
FML-14	1/2" thread	Wide	53	1050mA	120-277V	5100K	4285	81	8.5 (3.8)
FML-14-PC1	1/2" thread	Wide	53	1050mA	120V	5100K	4285	81	8.5 (3.8)

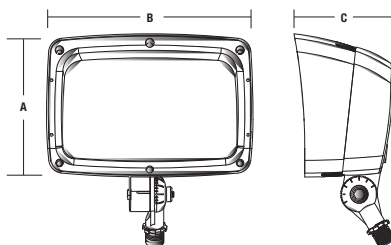
PERFORMANCE INFORMATION

Series Number	Equivalency			Delivered Lumens	System Watts	Lumens Per Watt	Max Candle Power	Beam Pattern	CCT	Voltage	Drivers/Current
	MH	HPS	CFL								
 FML-14  FML-14-PC1	150w	150w	2x42w	4285	53	81	2805	Wide	5100K	120-277V	1@1050mA

ACCESSORIES - Order Separately

Catalog Number	Description
FML-SPC	Polycarbonate shield/lens (Replaces existing acrylic lens)
FML-VISOR	Top/Bottom visor (Tap holes in lens frame to field install)

DIMENSIONS



A	B	C
6.68"	9.63"	4.53"
169 mm	244 mm	115 mm



HUBBELL
Outdoor Lighting

MHS

Miniliter® LED Series

NEW



MHS YOKE MOUNT

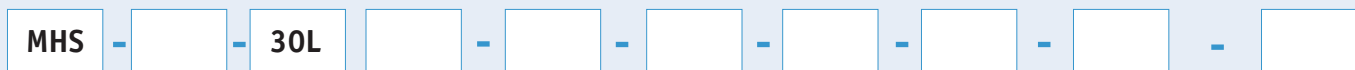


Energy-efficient LED floodlight for sign, facade, area, accent and general security lighting

- Die-cast aluminum housing and door, rugged, corrosion resistant and compact
- Tempered, impact resistant glass lens
- Tool-free entry for easy maintenance – twin stainless steel latches
- Protective dark bronze powder paint finish
- Effective Projected Area (EPA) is 1.4 sq. ft.
- 30 high powered LEDs deliver up to 6800 lumens at 700mA
- Different lenses offer a variety of beam spreads – N (2x2), M (4x4), RM (5x3) and W (6x6)
- 10KA surge protection included

- Up to 97 LPW, 3000K, 4200K, and 5100K CCT
- Silicone lens/door gasket provides positive seal
- Electronic driver 71w system. 0.4 AMPS max, 120-277V, 50/60Hz, 0-10V dimming
- Flat glass lens protects LEDs and allows debris removal
- Steel yoke (MHS-Y) with three-hole pattern allows versatile mounting
- Cast aluminum knuckle (MHS-K) slip-fits 2 3/8" OD tenons/pipe, provides concealed wiring for appearance and safety
- Listed to UL 1598 for use in wet locations
- Units meet ARRA level 2

ORDERING INFORMATION



FAMILY	MOUNTING	# LEDs	VOLTAGE	CCT	BEAM	DRIVE CURRENT	FIXTURE COLOR	PC	OPTIONS
MHS	Y Yoke K Knuckle	30L	U 120V-277V 1 120V 2 208V 3 240V 4 277V	3K ¹ 3000K, 80 CRI 4K ¹ 4200K, 70 CRI 5K ¹ 5100K, 67 CRI	N 2x2 M 4x4 RM 5x3 W 6x6	BLANK 700mA	BZ Bronze BL Black WH White GR Gray PL Platinum CC Custom Color	PC(X) Photo Control (replace X with voltage: 1-120V, 2-208V, 3-240V, 4-277V, 5-480V, 6-347V)	F(X) Fusing (replace X with voltage: 1-120V, 2-208V, 3-240V, 4-277V, 5-480V, 6-347V)

1 Nominal CCT

PERFORMANCE INFORMATION

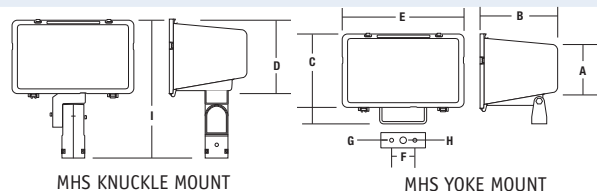
Series Number	Equivalency		Delivered Lumens	System Watts	Lumens Per Watt	Max Candle Power	Beam Pattern	CCT	Voltage	Drivers/Current
	MH	HPS								
71% SAVINGS! MHS-X-30LU-3K-N	250w	250w	4500	71	64	34958	2 X 2	3000K	120-277V	1@700mA
71% SAVINGS! MHS-X-30LU-3K-M	250w	250w	4632	71	65	19018	4 X 4	3000K	120-277V	1@700mA
71% SAVINGS! MHS-X-30LU3K-RM	250w	250w	4079	71	58	7146	5 X 3	3000K	120-277V	1@700mA
71% SAVINGS! MHS-X-30LU-3K-W	250w	250w	4468	71	63	3755	6 X 6	3000K	120-277V	1@700mA
71% SAVINGS! MHS-X-30LU-4K-N	250w	250w	5530	71	79	43674	2 X 2	4200K	120-277V	1@700mA
71% SAVINGS! MHS-X-30LU-4K-M	250w	250w	5996	71	93	23391	4 X 4	4200K	120-277V	1@700mA
71% SAVINGS! MHS-X-30LU-4K-RM	250w	250w	5163	71	74	9514	5 X 3	4200K	120-277V	1@700mA
71% SAVINGS! MHS-X-30LU-4K-W	250w	250w	5792	71	82	4538	6 X 6	4200K	120-277V	1@700mA
77% SAVINGS! MHS-X-30LU-5K-N	250w	250w	6045	71	85	45341	2 X 2	5100K	120-277V	1@700mA
77% SAVINGS! MHS-X-30LU-5K-M	250w	250w	6798	71	96	59331	4 X 4	5100K	120-277V	1@700mA
77% SAVINGS! MHS-X-30LU-5K-RM	250w	250w	5575	71	79	9246	5 X 3	5100K	120-277V	1@700mA
77% SAVINGS! MHS-X-30LU-5K-W	250w	250w	6164	71	87	4559	6 X 6	5100K	120-277V	1@700mA

DIMENSIONS

A	B	C	D	E	F	G	H	I	Weight
6 1/2"	14 1/2"	12"	9 7/8"	16 1/4"	3 1/8"	17/32"	7/8"	17"	20 lbs.
165 mm	368 mm	305 mm	251 mm	413 mm	79 mm	14 mm	22 mm	432 mm	(9.1) kgs.



HUBBELL
Outdoor Lighting



Magnuliter LED Floodlights

The MLED family is a large area LED floodlight designed to provide multiple NEMA distributions for best beam utilization on your application. Typical uses are area lighting for safety and security, build façade illumination, flag lighting, large sign or statuary accent.

The family includes two LED assemblies, an 80 LED engine that produces a nominal 11,000 lumens and a 40 LED engine with 5,500 lumens. Each engine is featured with three NEMA beam spreads (3x3, 5x5, 7x7) to allow the best utilization of the lumens and reduce spill light. The light engine is protected from the elements by the sealed tempered molded glass outer lens.

- LED drivers are universal 120-277V, 50/60Hz
- 40 LED floods 107w, 120-277V
- 80 LED floods 179w, 120-277V
- The lens door is sealed with four stainless steel screws and features a convex molded glass protective lens sealed with silicone gaskets
- A heavy gauge steel full yoke with aiming angle increments provided along with locking washers and stars for vibration resistance
- Listed to UL1598 for use in wet locations, IP65 rated









FLOODLIGHTING

ORDERING INFORMATION

MLED	-		-	U	-	5K	-		-		-	
SERIES		NUMBER OF LEDS		VOLTAGE		CCT		BEAM SPREAD		FINISH		OPTIONS
MLED Magnuliter LED Series		40L 40 LEDs 80L 80 LEDs		U 120-277V		5K 4800K nominal		W Wide 7x7 M Medium 5x5 N Narrow 3x3		Standard BZ Bronze Optional BL Black GR Gray WH White		PRU Photocontrol receptacle 120-277V SP Surge protection

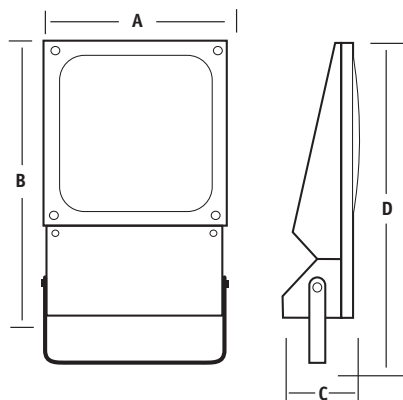
PERFORMANCE INFORMATION

Series Number	Equivalency		Delivered Lumens	System Watts	Lumens Per Watt	Max Candle Power	Beam Pattern	CCT	Voltage	Drivers/Current
	MH	HPS								
 MLED-40LU-W	250w	250w	5,326	106	50	1,938	7 X 7	4800K	120-277V	1@625mA
 MLED-80LU-W	400w	400w	9,874	176	55	3,585	7 X 7	4800K	120-277V	2@525mA
 MLED-40LU-M	250w	250w	6,731	107	59	9,531	5 X 5	4800K	120-277V	1@625mA
 MLED-80LU-M	400w	400w	11,226	178	62	17,648	5 X 5	4800K	120-277V	2@525mA
 MLED-40LU-N	250w	250w	6,469	107	60	36,306	3 X 3	4800K	120-277V	1@625mA
 MLED-80LU-N	400w	400w	11,532	179	64	61,540	3 X 3	4800K	120-277V	2@525mA

ACCESSORIES - Order Separately

Catalog Number	Description
4024C	2 3/8" O.D. slipfitter for yoke units – Bronze
4090	Heavy-duty cast iron crossarm fitting for horizontal trunnion; Bronze Lektrocote®

DIMENSIONS



A	B	C	D	EPA	Weight
16"	18.75"	4.25"	21"	2.0 ft ²	20 lbs.
406 mm	476 mm	108 mm	534 mm	0.06 m ²	9.09 kg

Laramie LFS

Compact Decorative Flood

FLOODLIGHTING



The LFS Series is the wide, uniform beam lighting solution for sign, façade and general lighting of smaller areas. The die-cast construction is not only rugged but has new styling that matches the larger Laramie 400 and other fixtures.

These LED systems allow the designer a wide range in lumen, energy and maintenance considerations.

LED distributions provide optimized lighting solution options.

Cataloged in five standard finishes, the LFS fixture can be ordered to blend or contrast with most architectural elements. The Lektrocote®

powder paint system is baked on for long life and minimum color change due to UV exposure.

Button photocontrols for dusk-to-dawn energy savings.




- 1/2" swivel knuckle allows universal aiming from standard junction boxes and adapters
- Listed to UL1598 for use in wet locations
- U.S. Patent No. 6,461,026

ORDERING INFORMATION

LFS	-	12	-	5K	-		-		-	
SERIES	NUMBER OF LEDS/VOLTAGE	LED COLOR	BEAM	FINISH	OPTIONS					
LFS Laramie Flood Small	12 12 LEDs, Universal voltage 120-277V	5K 5000K	W 6x6 M 4x4 N 1x1	BZ Bronze BL Black GR Gray WH White PS Platinum	P(1) ¹ 120V button photocontrol P(2) ¹ 208V button photocontrol P(3) ¹ 240V button photocontrol P(4) ¹ 277V button photocontrol P(6) 347V button photocontrol					

¹ Change "12LU" to 12L1 for 120V, 12L2 for 208V, 12L3 for 240V or 12L4 for 277V

PERFORMANCE INFORMATION

Series Number	Equivalency			Delivered Lumens	System Watts	Lumens Per Watt	Max Candle Power	Beam Pattern	CCT	Voltage	Drivers/Current
	MH	HPS	CFL								
 LFS-12LU-W	70w	70w	26w	937	13	72	494	6 X 6	5000K	120-277V	1@700mA
 LFS-12LU-M	70w	70w	-	948	13	72	2,001	4 X 4	5000K	120-277V	1@700mA
 LFS-12LU-N	70w	70w	-	961	13	73	28,939	1 X 1	5000K	120-277V	1@700mA

ACCESSORIES - Order Separately, Field Installed

Catalog Number	Description
1031-3	Portable spike with 1/2" top hub and 6ft cord set, platinum/gray finish
LFP-JB-BZ	Round pole-side junction box with hardware, 1/2" cover and bottom hub, bronze
LFS-SPC	Polycarbonate shield
LFS-GS	Glare shield, black
MIC-TB	Half yoke wiring box, bronze
NM-BC	Non-metallic box and cover burial box with cable connectors
PBT-1	Button photocontrol 120V
PBT-234	Button photocontrol 208, 240, 277V
S-302-M51	2" pipe (2 3/8" O.D.) slip-fitter with 1/2" top hub for LFS/LFP, bronze
S-302-M52	2" pipe (2 3/8" O.D.) slip-fitter with 1/2" top hub for LFS/LFP, white
S-302	2" pipe (2 3/8" O.D.) slip-fitter with 1/2" top hub for LFS/LFP, platinum/gray
S329B	Wet location surface box with cover, (4) side and (1) cover 1/2" hub, nat. alum.

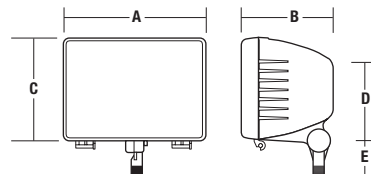
REPLACEMENT PARTS

Catalog Number	Description
93004823	Replacement lens
207-5011-0264	Bronze knuckle

Typical weight: 12 lbs.
EPA: 0.7 sq.ft.

DIMENSIONS

	A	B	C	D	E
LFS	10.25"	6.5"	8"	4"	2.5"
	260 mm	165 mm	203 mm	102 mm	63.5



HUBBELL
Outdoor Lighting

Architectural LED Floodlight/Wall Mount

- ALF is excellent for small floodlighting applications such as signs, façade, landscape accent or small area illumination
- The compact, low profile size allows the flood to be easily hidden or blend into the landscape environment.
- Knuckle mount: Universal 1/2" swivel knuckle has serrated teeth for sure aiming
- Wall mount: Cast aluminum cover/quick mount plate and universal adapter allows easy installation to 3 1/2" or 4" standard junction boxes; Tilt for increased forward throw
- Universal voltage driver is 120-277V, 50/60Hz, with 10 or 22 input watts
- Tempered and impact resistant glass lens with decorative silk screen seals to housing with silicone gaskets
- Dark bronze powder paint finish provides durable and lasting appearance
- Six or Twelve 1.5w LEDs produce 848 or 1655 lumens at 5100K
- Wide 110 degree lateral spread covers three times the set back distance with uniform light
- Listed to UL 1598 for use in wet locations





FLOODLIGHTING

ORDERING INFORMATION


Catalog Number	Wattage	Number of LEDs	Voltage ¹	Lumens	TM-21-11 L70	Kelvin	Weight lbs. (kg)
1/2" Knuckle Mount							
ALF-6LU-5K-BZ	10.7w	6	120-277V	905	60,000hrs	5100K	4.0 (1.8)
ALF-12LU-5K-BZ	21.5w	12	120-277V	1910	60,000hrs	5100K	8.0 (3.6)
Wall Mount							
ALFW-6LU-5K-BZ	10.7w	6	120-277V	905	60,000hrs	5100K	4.5 (2.0)
ALFW-6LU-5K-BZ-PC	10.7w	6	120V	905	60,000hrs	5100K	4.5 (2.0)

¹ Unit should not be used above 240V in Canada

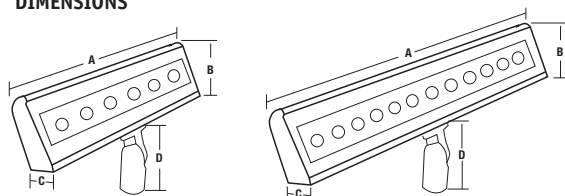
PERFORMANCE INFORMATION – ALF 6 & 12 FLOODS

Series Number	Equivalency			Delivered Lumens	System Watts	Lumens Per Watt	Max Candle Power	Beam Pattern	CCT	Voltage	Drivers/Current
	MH	HPS	CFL								
 ALF-6LU	70w	70w	26w	905	10.7	85	621	6 X 5	5100K	120-277V	1@470mA
 ALF-12LU	100w	100w	42w	1910	21.5	89	1208	6 X 5	5100K	120-277V	2@470mA

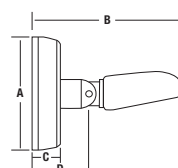
PERFORMANCE INFORMATION – ALF 6 WALLMOUNT

Series Number	Equivalency			Delivered Lumens	System Watts	Lumens Per Watt	Mounting Height	CCT	Voltage	Drivers/Current
	MH	HPS	CFL							
 ALFW-6LU	70w	70w	26w	905	10.7	89	Up to 10 ft.	5100K	120-277V	1@470mA

DIMENSIONS



A	B	C	D
12/24"	3 1/2"	1 1/2"	3 1/2"
305/609.6 mm	89 mm	38 mm	89 mm



A	B	C	D
5 1/2"	6 1/2"	1 1/8"	2 1/8"
139 mm	165 mm	28 mm	54 mm



309

LED Lampholder

FLOODLIGHTING




- Decorative dark bronze finish
- 15w - nominal 255 lumens
- Die-cast aluminum housing
- Tempered glass lens
- Large 1/2" swivel knuckle, universal aim
- 120-277V operation
- CSA certified to UL 1598, CSA 22.2 No. 250.0-00, Suitable for wet locations
- Deep shield, wire guard accessories available
- 3500K color temperature
- Uses AFF lower knuckle

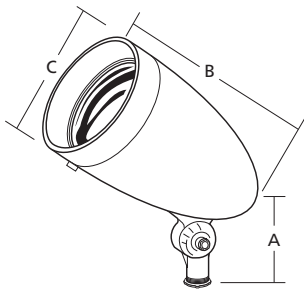
ORDERING INFORMATION

Catalog Number	Description	Finish	Weight lbs. (kg)
LED - Wet Location Listed - Universal Aiming			
30910LEDML	LED bullet flood	Bronze	5 (2.2)

PERFORMANCE INFORMATION

Series Number	Equivalency			Delivered Lumens	System Watts	Lumens Per Watt	Beam Pattern	CCT	Voltage	Drivers/ Current
	MH	HPS	CFL							
 30910LEDML	50w	-	26w	255	14.9	17	5 X 5	3500K	120-277V	1@350mA

DIMENSIONS








A	B	C
5"	9 7/8"	5 3/8"
127 mm	251 mm	136 mm

Photocontrols



ORDERING INFORMATION

	Catalog Number	Voltage	Max. Watts Incand.	Max. Watts HID		Weight lbs. (kg)
				HPF	NPF	
Photocontrol - Button Type¹						
	PBT-1 ⁶	120	1200	400	250	.125 (0.1)
	PBT-234 ⁶	208/240/277	1200	400	250	.125 (0.1)
Photocontrol - 1/2" Thread Mount²						
	PTA-1 ⁶	120	2000	1000	400	.25 (0.1)
	PTA-8 ⁶	120-277	2000	1000	400	.25 (0.1)
	PTA-5 ⁶	480	2000	1000	400	.25 (0.1)
Photocontrol - Twist-Lock[®] Cell³						
	PTL-1 ⁶	120	1800	1000	400	.25 (0.1)
	PTL-8 ⁶	120-277	1800	1000	400	.25 (0.1)
	PTL-5	480	1800	1000	400	.25 (0.1)
	PTL-6 ⁶	347	1800	1000	400	.25 (0.1)
Receptacle - Remote Twist-Lock[®] Cell with Bracket⁴						
	PRR	120-480	1800	1000	400	.5 (0.2)
Shorting Cap - Twist-Lock[®] Mount⁵						
	PSC	Completes circuit - Eliminates PCR				.25 (0.1)

- 1 Miniature photocontrol sealed in a sturdy plastic housing 2 1/16" x 1 1/8" x 7/8" with 3/4" nipple length, nipple dia. is 3/8" pipe thread - 5/8" outside diameter fits 1/2" tapped hubs; Use in any suitable enclosed box or luminaire; A gasket and lock nut provide weather tight seal at exit point
- 2 Weatherproof photocontrol in a polycarbonate housing with field adjustable light sensitivity level feature; 3 5/8" x 2" x 1 1/2" housing with 5/8" nipple length
- 3 Weatherproof Twist-Lock[®] photocell enclosed in a high butyrate protective housing; Meets EMI-NEMA standards; For use with Twist-Lock[®] receptacles (PCR)
- 4 Remote receptacle for PTL Twist-Lock[®] cell; Includes aluminum angle bracket and color coded leads; Bolts to wood poles, crossarms, walls or any flat surface
- 5 Weatherproof shorting cap to complete circuit and allow fixture to operate when Twist-Lock[®] photocontrol (PTL) is not used; For use with Twist-Lock[®] receptacles (PCR)
- 6 CSA certified



Mounting Accessories

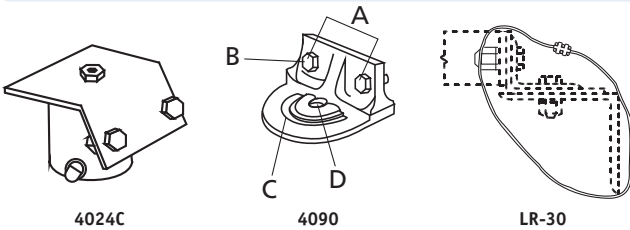
Accessories: Trunnion Mount Fittings

FLOODLIGHTING

ORDERING INFORMATION

Catalog Number	Description	Weight lbs. (kg)
HID Floodlights		
4024C	Steel slipfitter for 2" pipe, 2 3/8" OD yoke mount, bronze finish; Also available in gray: 4024CM53 , black: 4024CM50 , and galvanized: 4024CM38 (consult factory for adders)	4 (1.8)
4090	Heavy-duty cast iron crossarm fitting for horizontal trunnion; Bronze Lektrocote®	3 (1.4)
LR-30¹	Safety retainer complete with crimp clamp and 30" long 1/8" stranded metal cable	.3 (0.1)

¹ For yoke (trunnion) mounted units only



	A	B	C	D
4090	3 1/8" 79 mm	9/16" dia. 14 mm	5/16" slot 8 mm	13/16" dia. 21 mm

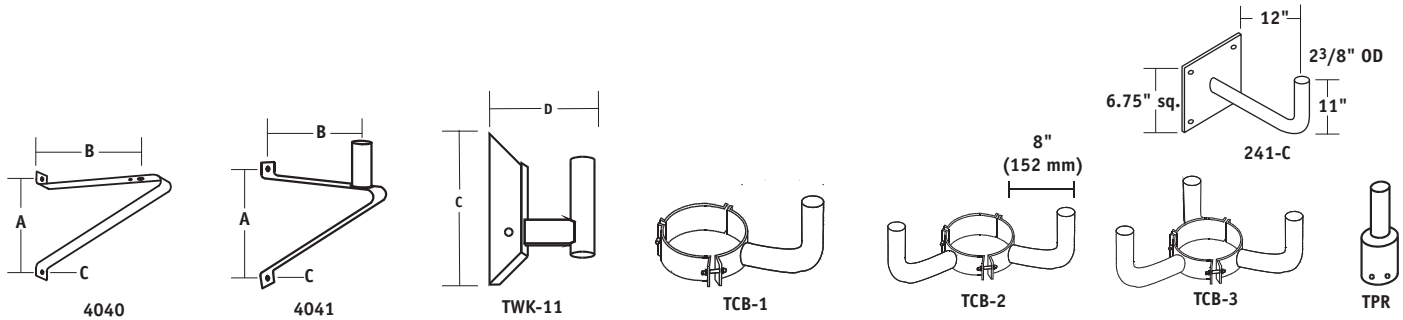
Accessories: Wall and Pole Mount Brackets

ORDERING INFORMATION

Catalog Number	Description	Weight lbs. (kg)	Maximum Loading Weight
For Use With Crossarm Fittings			
4040	Heavy-duty steel wall/pole bracket; bronze Lektrocote®	5.5 (2.5)	90 (40.8)
For Use With Slipfitter Fittings			
4041	Heavy-duty steel wall/pole bracket 2" pipe (2 3/8" OD) tenon fitting for use with slipfitter units or 4024C; bronze Lektrocote®	7 (3.2)	90 (40.8)
241-C-XX	Flat surface bracket - 90° horn steel (2 3/8" OD)	16 (7.3)	70 (30.7)
TWK-11	Wall bracket with splice compartment for thru-wiring with 2" pipe (2 3/8" OD) tenon	15 (6.8)	90 (40.8)
TCB-1	Wood pole clamp on bracket with 2" pipe (2 3/8" OD) tenon; Clamps 6" to 12" diameter	16 (7.3)	70 (31.7)
TCB-2	Wood pole clamp on bracket with 2" pipe (2 3/8" OD) tenon; Two tenons at 120° (clamps 6" to 12" diameter)	20 (9.1)	140 (63.4)
TCB-3	Wood pole clamp on bracket with 2" pipe (2 3/8" OD) tenon; Three tenons at 120° (clamps 6" to 12" diameter)	28 (12.7)	210 (95.1)
Tenon Reducers			
TPR-2¹	2 1/2" to 2" pipe size tenon reducer	6 (2.7)	105 (47.6)
TPR-3²	3" to 2" pipe size tenon reducer	8 (3.6)	105 (47.6)
TPR-4³	4" to 2" pipe size tenon reducer	9 (4.1)	105 (47.6)

Note: Bronze color standard, for other colors add suffix to catalog number: -M50 black finish, -M52 white finish, -M53 gray finish.

- ¹ Bracket I.D., 3 1/16"
- ² Bracket I.D., 3 1/2"
- ³ Bracket I.D., 4 5/8"



	A	B	C	D	E
4040/4041	8 1/4" 210 mm	9 1/2" 241 mm	11" 279 mm	8" 203 mm	11/16" dia. 17 mm



HUBBELL
Outdoor Lighting

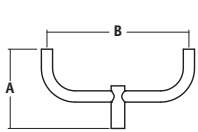
Mounting Accessories

Accessories: Steel Bullhorns

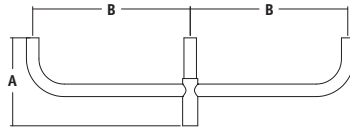
Steel "bull horn" floodlight brackets. Fixture mounting pipe or tenons are 2³/₈" O.D. and brackets mount on 2³/₈" O.D. pole tenons. Stainless steel set screws and thru-bolts included. Finishes as shown below.

ORDERING INFORMATION

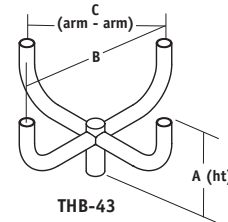
Catalog Number	Maximum Loading		Description	Finish	Weight lbs. (kg)	EPA ft ² (m ²)
	Fixture Qty.	Weight lbs (kg)				
THB-21	2	210 (95.3)	Two tenons at 180°	Bronze	17 (7.7)	.9 (0.1)
THB-21-M53	2	210 (95.3)	Two tenons at 180°	Gray	17 (7.7)	.9 (0.1)
THB-31	3	315 (142.9)	Three tenons at 180°	Bronze	30 (13.6)	1.5 (0.1)
THB-32	3	315 (142.9)	Three tenons at 120°	Bronze	23 (10.4)	1.2 (0.1)
THB-41	4	420 (190.5)	Four tenons at 180°	Bronze	43 (19.5)	2.2 (0.2)
THB-43	4	420 (190.5)	Four tenons at 90°	Bronze	29 (13.1)	1.3 (0.1)



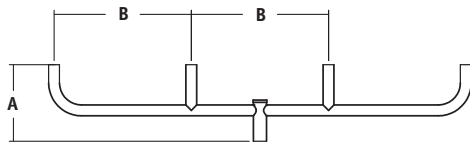
THB-21



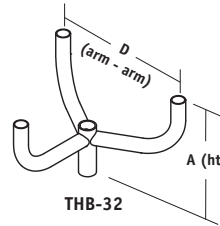
THB-31



THB-43



THB-41



THB-32

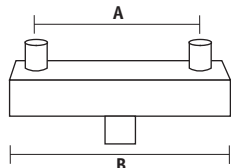
A	B	C	D
17"	30"	21.25"	26"
431 mm	762 mm	539 mm	660 mm

Accessories: Square Steel Brackets (Project finishes available)

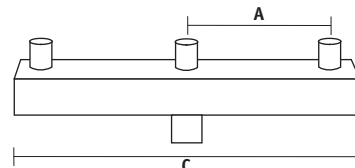
Decorative steel floodlight brackets. 4" square tubing with 2³/₈" O.D. fixture tenons. Square 4" bottom with 2¹/₂" I.D. internal adapter for standard round tenons. Available in multiple finishes as shown. Use with SSS series poles.

Catalog Number	Description	Maximum Weight Per Tenon		EPA		Weight	
		lbs.	(kg)	ft ²	(m ²)	lbs.	(kg)
SSB-21-M51	Twin 180°	60	(27.2)	1.2	(0.1)	24	(10.9)
SSB-31-M51	Triple 180°	60	(27.2)	2.3	(0.2)	44	(19.9)
SSB-41-M51	Quad 180°	60	(27.2)	3.4	(0.3)	64	(29)
SSB-43-M51	Quad 90°	60	(27.2)	2.8	(0.3)	46	(20.8)

Note: Bronze color standard, for others, add suffix to catalog number: -M50 - Black finish; -M52 - White finish; -M53 - Gray finish.

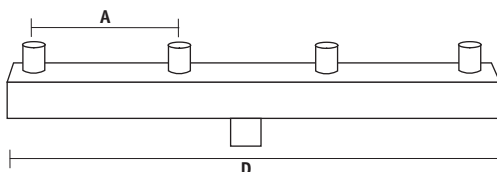


SSB-21

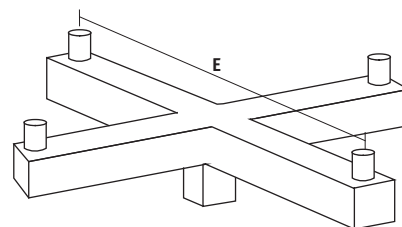


SSB-31

A	B	C	D	E
24"	30"	54"	78"	30"
610 mm	762 mm	1372 mm	1981 mm	762 mm



SSB-41



SSB-43

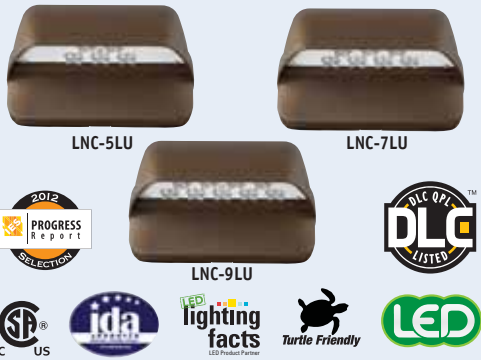


HUBBELL
Outdoor Lighting

Laredo LNC

Compact LED Wallpack

WALLPACKS



The compact Laredo LED LNC is designed for perimeter illumination, available in 3 lumen packages for safety, security and identity. This compact fixture has zero uplight, neighbor friendly. Typical mounting height up to 12 feet with 40ft fixture spacing (without acrylic diffuser) and 30ft spacing with acrylic diffuser installed. Photocontrol option is available.

APPLICATIONS

Zero uplight, IDA compliant entry/perimeter lighting. Listed to UL1598 for use in wet locations. Features long-life (60,000hr L90 rated) high CRI 5000K LEDs, quick mount adapter and designed for both recessed box or surface conduit wiring. DesignLights Consortium (DLC) qualified. Additional CCT/CRI options available in the larger lumen packages.

- IES Progress Award Winner - 2012

ORDERING INFORMATION - LNC 5L

CATALOG NUMBER	WATTAGE	NUMBER OF LEDS	VOLTAGE	LUMENS ¹	TM-21-11 L70 ²	CCT	WEIGHT LBS. (KG)
LNC-5LU-5K	12.6w	5	120-277V	967	60,000hrs	5000K	4.0 (1.8)
LNC-5LU-5K-PC	12.6w	5	120V	967	60,000hrs	5000K	4.0 (1.8)

- 1 Type III distribution. When using acrylic diffuser accessory lumen output is 650 with increased uniformity
- 2 Projected per IESNA TM-21-11

ORDERING INFORMATION - LNC 7L/9L

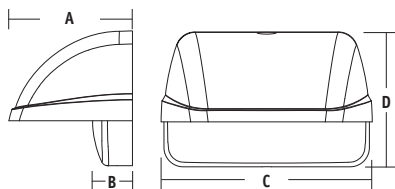
SERIES	NUMBER OF LEDS/SOURCE/VOLTAGE	CCT	IES DISTRIBUTION	FINISH	OPTIONS
LNC Laredo Cut-off	7LU 7 LEDs, Universal voltage 120-277V 9LU 9 LEDs, Universal voltage 120-277V	3K 3000K nominal, 80 CRI 4K 4200K nominal, 70 CRI 5K 5000K nominal, 67 CRI AM² Amber (590 μm available for "Turtle Friendly"/observatory applications; consult factory)	3 Type III 4 Type IV	1 Bronze 2 Black 3 Gray 4 White 5 Platinum	PC(X)¹ Button photo-control, replace X with voltage, specify 1-120V, 2-208V, 3-240V, 4-277V

- 1 When PC is ordered, input must match PC voltage
- 2 Amber LEDs are 035mA drive current

PERFORMANCE INFORMATION

Series Number	Equivalency			Delivered Lumens	System Watts	Lumens Per Watt	Mounting Height	CCT	Voltage	Drivers/Current
	MH	HPS	CFL							
LNC-5L	50w	50w	42w	967	12.8	75.5	up to 10 ft.	5000K	120-277V	1@700mA
LNC-7L	70w	70w	42w	1,389	16.4	80	up to 11 ft.	5000K	120-277V	1@700mA
LNC-9L	100w	100w	42w	1,745	21.9	80	10-12 ft.	5000K	120-277V	1@700mA

DIMENSIONS



A	B	C	D
4.81"	1.55"	8.22"	5.25"
122 mm	39 mm	209 mm	133 mm

Laredo LNC2

Compact LED Wallpack

The compact Laredo LED LNC2 is designed for perimeter illumination for safety, security and identity. Slightly larger than the LNC, the Laredo LNC2 has greater lumens and increased performance. The LNC2 achieves up to 85% energy savings over traditional metal halide. This compact fixture has no uplight and is neighbor friendly with typical mounting height up to 15 feet and 60ft fixture spacing (without acrylic diffuser) and 40ft spacing with acrylic diffuser installed. Fixtures have protective polyester finish in four color choices.

APPLICATIONS

Zero uplight, IDA compliant entry/perimeter lighting. Listed to UL1598 for use in wet locations. Features long-life (60,000hr L96 rated), high CRI, 3000K, 4200K, and 5100K LEDs. Single SKU designed for both recessed box or surface conduit wiring, includes quick-mount adapter for ease of installation. DesignLights Consortium (DLC) qualified. Acrylic diffuser softens high angle output for use at entrances or pedestrian pathways.

- IES Progress Award Winner - 2013



WALLPACKS



ORDERING INFORMATION

SERIES	NUMBER OF LEDS/SOURCE/VOLTAGE	CCT	IES DISTRIBUTION	FINISH	OPTIONS
LNC2 Laredo LNC2	12LU 12 LEDs, Universal voltage 120-277V 18LU² 18 LEDs, Universal voltage 120-277V	3K 3000K nominal 80 CRI 4K 4200K nominal 70 CRI 5K 5100K nominal 67 CRI AM² Amber (590 μm available for "Turtle Friendly"/observatory applications, 350mA; consult factory	3 Type III 4 Type IV	1 Bronze 2 Black 3 Gray 4 White 5 Platinum	PC(X)¹ Button photo-control, replace X with voltage, specify 1-120V, 2-208V, 3-240V, 4-277V

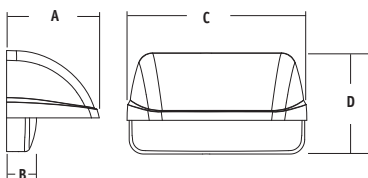
¹ When PC is ordered, input must match PC voltage

² Amber LEDs only available on 18LU configurations, 350 mA only. Universal Voltage 120V-277V

PERFORMANCE INFORMATION

Series Number	Equivalency			Delivered Lumens	System Watts	Lumens Per Watt	Mounting Height	CCT	Voltage	Drivers/Current
	MH	HPS	CFL							
 LNC2-12LU-5K-3-1	150w	150w	2x42w	2,420	28.6	85	Up to 15 ft.	5100K	120-277V	1@700mA
 LNC2-18LU-5K-3-1	150w+	150w+	2x42w+	3,311	42.3	78	Up to 15 ft.	5100K	120-277V	2@700mA

DIMENSIONS



A	B	C	D	Weight
6.25"	1.6"	10.25"	5.6"	7.0 lbs.
158.7 mm	40.2 mm	260.4 mm	142.2 mm	3.2 kg



HUBBELL
Outdoor Lighting

Laredo LCC

Compact Wallpack

WALLPACKS



The compact Laredo is designed for entrance and single story perimeter lighting, 6-12 foot applications. Energy-saving LED featuring die-cast aluminum housing and door. Protective lens is tempered glass. All units have no uplight and are IDA compliant, neighbor friendly, so light trespass and glare will not be an issue after installation.

APPLICATIONS

Zero uplight, IDA compliant entry or perimeter lighting. Listed to UL1598 for use in wet locations.

- Features exclusive wiHUBB technology
 - Wireless system for On/Off and 0-10VDC full range dimming control
 - Programmable autonomous operation

ORDERING INFORMATION

LCC	-	12LU	-	5K	-	
SERIES		NUMBER OF LEDS/VOLTAGE		CCT		OPTIONS
LCC Laredo Compact Cut-off		12LU 12 LEDs, Universal voltage 120-277V, 50/60Hz		5K 5000K nominal, 67 CRI		PHOTOCONTROL PC1 120V button photocontrol PC2 208V button photocontrol PC3 240V button photocontrol PC4 277V button photocontrol WIH¹ In fixture wireless control module
				FINISH		
				1 Bronze 2 Black 3 Gray 4 White 5 Platinum		

¹ Consult factory for availability

PERFORMANCE INFORMATION

Series Number	Equivalency			Delivered Lumens	System Watts	Lumens Per Watt	Mounting Height	CCT	Voltage	Drivers/Current
	MH	HPS	CFL							
LCC-12LU-5K	50w	50w	42w	820	12.4	65	Up to 10 ft.	5000K	120-277V	1@350mA

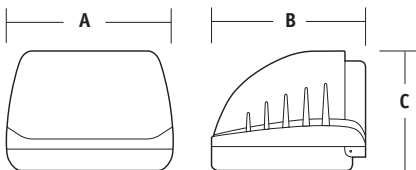
ACCESSORIES - Order Separately

Catalog Number	Description
LCC-SPC	Polycarbonate shield
PBT-1	120V button photocontrol
PBT-234 ¹	208/240/277V button photocontrol
PTA-1	External 120V photocontrol (use for 70w)
PTA-8	External 120-277V photocontrol (use for 70w)

REPLACEMENT PARTS

Catalog Number	Description
93012460	Replacement lens all others

DIMENSIONS



A	B	C
9.0"	9.5"	7.2"
229 mm	241 mm	183 mm

Laredo LMC

Medium-Size Wallpack

Laredo 30 LED medium size wallpack offers both wide spacing and excellent uniformity. The 30 LED unit is available in lumen packages ideal for mounting heights from 12 to 18 feet; providing spacings of up to five times the mounting height. The 30 LED unit is available in a wide Type III or forward throw Type IV beam.

The fixture is constructed of durable die-cast aluminum housing and door. The Laredo features a quick-mount adapter that allows installation without ever opening the fixture. Save on installation time, fixture maintenance and energy!

LMC-30LU Egress Wallpack:

Designed to meet strict 1fc minimum requirements. At 12ft mounting height 1fc covers 16x16ft area, well beyond the 10x10ft standard. 43.5w - 350mA drives 30LEDs at 2700 lumens at full power/ 2046 average lumens in battery mode. Outer clear impact resistant glass lens protects LED lenses. No uplight, external test button quick mount, wet location listed.

APPLICATIONS

Zero uplight, IDA compliant perimeter lighting. Listed to UL1598 for use in wet locations when mounted aimed down.





WALLPACKS

ORDERING INFORMATION - STANDARD CONFIGURATIONS

LMC	-		-		-		-		-	
SERIES	NUMBER OF LEDS/SOURCE/VOLTAGE	CCT	IES DISTRIBUTION	DRIVE CURRENT	FINISH	OPTIONS				
LMC Laredo Medium Cut-off	30LU 30 LEDs, Universal voltage 120-277V 30LF 30 LEDs, 347V	4K 4200K nominal, 70 CRI 5K 5100K nominal, 67 CRI	3 Type III 4 Type IV	BLANK Std. is 700mA 035 350mA	1 Bronze 2 Black 3 Gray 4 White 5 Platinum	PC(X) ¹ Photocontrol WIH In fixture wireless control module				

¹ PC(X) Replace X with 1-120V, 2-208V, 3-240V, 4-277V

PERFORMANCE INFORMATION

Series Number	Equivalency			Delivered Lumens	System Watts	Lumens Per Watt	Mounting Height	CCT	Voltage	Drivers/Current
	MH	HPS	CFL							
 LMC-30L	250w	250w	2x42w+	6,023	71.7	84	15-18 ft.	5100K	120-277V	2@700mA
 LMC-30L-035	150w+	150w+	2x42w+	3,448	35.4	97.4	12-15 ft.	5100K	120-277V	1@350mA

ACCESSORIES - Order Separately

Catalog Number	Description
LMC-SPC	Polycarbonate shield
PBT-1	120V button photocontrol
PBT-234	208/240/277V button photocontrol

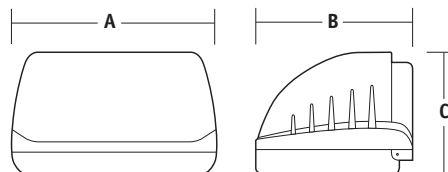
ORDERING INFORMATION - EGRESS LAREDO LMC

LMC	-	30LU	-		-	3	-	035	-		-	
SERIES	NUMBER OF LEDS/SOURCE/VOLTAGE	CCT	IES DISTRIBUTION	DRIVE CURRENT	FINISH	OPTIONS						
LMC Laredo Medium Cut-off	30LU 30 LEDs, Universal voltage 120-277V	4K 4200K nominal 5K 5100K nominal	3 Type III	035 350mA	1 Bronze 2 Black 3 Gray 4 White 5 Platinum	BBU277 ² Intergral battery for 120-277V, rated for -20° C ambient BOC277 ² Intergral battery for 120-277V, rated for 0° C ambient PC(X) ² Photocontrol						



LMC-30LU BBU/BOC

² 2,046 lumens at 10w for 5K CCT in battery mode



A	B	C
16"	12.125"	9.0"
406 mm	308 mm	229 mm



HUBBELL
Outdoor Lighting

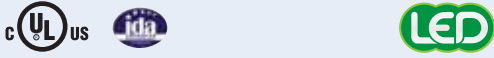
QSPC/TRPC/RDIC

Compact Architectural Sconces

WALLPACKS



- Compact Geometric wall sconce series – QSP, TRP, RDI
- 13 LED, 23w, 1184 lumen, 5000K energy saving system, universal voltage 120-277V, 50/60Hz
- Provides excellent illumination and uniformity
- Zero uplight, dark sky, neighbor friendly
- RDIC has removable internal panel allowing conversion to up/down output
- Durable die-cast aluminum construction
- Bronze powder coat standard finishes
- LED has controlled optics with protective tempered glass outer lens for uniform distribution
- Lamps included
- Quick-mount adapter for easy installation on recessed J-boxes
- Listed to UL 1598 for use in wet locations



ORDERING INFORMATION



SERIES

- QSPC** Quarter Sphere Compact Wallpack
- TRPC** Trapezoid Compact Wallpack
- RDIC** Radius Compact Wallpack

#LEDS/SOURCE/VOLTAGE




13LU-5K 13 LEDs, 120-277V

FINISH¹

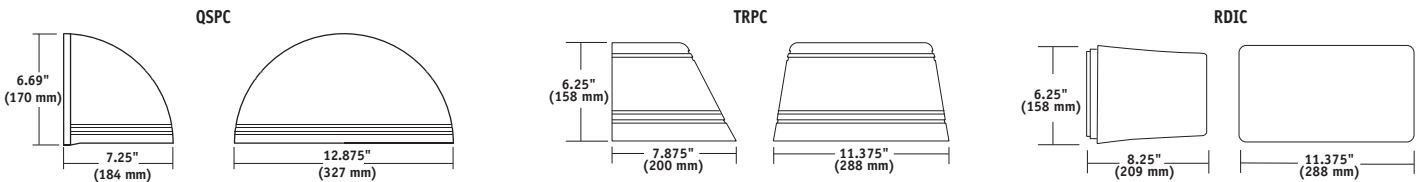
BZ Bronze

¹ Available in Bronze finish only

PERFORMANCE INFORMATION

Series Number	Equivalency			Delivered Lumens	System Watts	Lumens Per Watt	Mounting Height	CCT	Voltage	Drivers/Current
	MH	HPS	CFL							
 QSPC-13LU-5K	50w	50w	42w	1,184	23	51	10-12 ft.	5000K	120-277V	1@470mA
 RDIC-13LU-5K	50w	50w	42w	1,184	23	51	10-12 ft.	5000K	120-277V	1@470mA
 TRPC-13LU-5K	50w	50w	42w	1,184	23	51	10-12 ft.	5000K	120-277V	1@470mA

DIMENSIONS



TRP/QSP/TRP/RDI

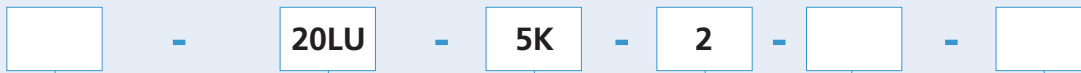
Architectural Wallpacks

- Architectural wallpack in four stylish shapes with contours to accentuate building architecture
- Provides excellent illumination and uniformity
- Durable die-cast aluminum construction
- Energy-efficient LED 36w system produces 2500 lumens with 70 LPW efficacy
- Type II distribution
- Quick-mount adapter for j-boxes and integral bubble level for easy installation
- LED color temperature 4700 nominal
- Listed to UL 1598 for use in wet locations
- Zero uplight, dark sky, neighbor friendly
- Five year limited warranty



WALLPACKS

ORDERING INFORMATION

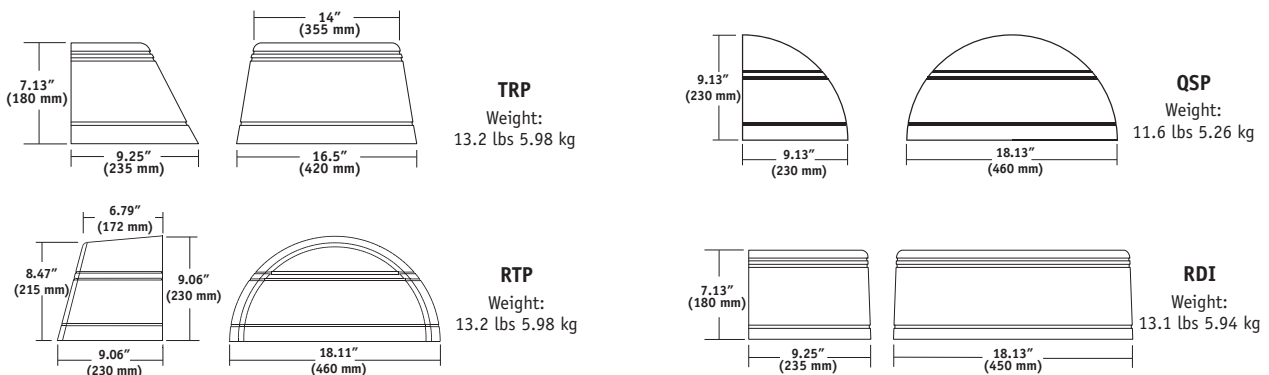


SERIES	#LEDS/SOURCE/VOLTAGE	CCT	DISTRIBUTION	FINISH	OPTIONS
TRP Trapeziod	20LU 20 LEDs, 120-277V	5K 4700K nominal	2 Type II	DB Bronze BL Black GR Gray WH White PS Platinum	PC(X) Button photocontrol, specify voltage 1-120V, 2-208V, 3-240V, 4-277V
RDI Radius					
RTP Radius Trapeziod					
QSP Quarter Sphere					

PERFORMANCE INFORMATION

Series Number	Equivalency			Delivered Lumens	System Watts	Lumens Per Watt	Mounting Height	CCT	Voltage	Drivers/Current
	MH	HPS	CFL							
TRP-20LU-5K	150w	150w	2x42w	2,466	35.5	68	12-15 ft.	4700K	120-277V	1@333mA
RDI-20LU-5K	150w	150w	2x42w	2,558	35.5	71	12-15 ft.	4700K	120-277V	1@333mA
RTP-20LU-5K	150w	150w	2x42w	2,509	35.5	70	12-15 ft.	4700K	120-277V	1@333mA
QSP-20LU-5K	150w	150w	2x42w	2,591	35.5	72	12-15 ft.	4700K	120-277V	1@333mA

DIMENSIONS



NRG® 312

Perimeter Wallpack

WALLPACKS




- Full polycarbonate front provides vandal resistance and uniform light distribution; Internally painted bronze finish for lasting appearance
- 12LED unit provides long-life with low energy consumption, a perfect upgrade for older units
- Rugged cast aluminum back housing for rigid mounting; Bottom 1/2" conduit knockout for surface conduit wiring
- Back hub allows access to recessed wiring boxes; Two point mounting
- Units available with or without 120V button photocontrol, see ordering information
- Listed to UL 1598 for use in wet locations
- Tamper resistant center pin Torx hardware included

ORDERING INFORMATION

Catalog Number ¹		Wattage	Voltage	Color	Weight lbs. (kg)
Without Photocontrol	With Photocontrol				
12 LED – 1120 Lumens – 5000K – 73 CRI					
NRG-312LU-5K-BZ	NRG-312LU-5K-BZ-PC¹	18w	120-277V (-PC120)	Bronze	6 (2.7)

¹ 120V only when ordered with photocontrol

PERFORMANCE INFORMATION

Series Number	Equivalency			Delivered Lumens	System Watts	Lumens Per Watt	Mounting Height	CCT	Voltage	Drivers/Current
	MH	HPS	CFL							
 NRG-312LU	50w	50w	42w	1120	18	63	Up to 10 ft.	5000K	120-277V	1@350mA

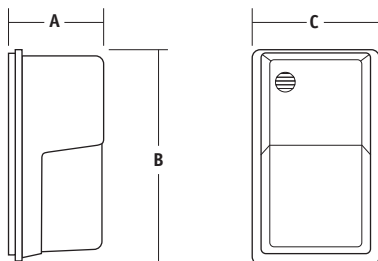
ACCESSORIES - Order Separately

Catalog Number	Description
PBT-1	Button photocontrol, 120V
PBT-234	Button photocontrol, 208, 240, 277V

REPLACEMENT PART

Catalog Number	Description
SM352-COVER	Polycarbonate front cover, Bronze

DIMENSIONS



A	B	C
5.39"	11.02"	6.89"
137 mm	280 mm	175 mm

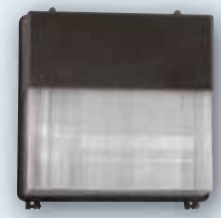
Perimaliter® LED Wallpacks

PGM3 Glass and PVL3 Polycarbonate

- Perimeter lighting for safety, security and identity - LED units provide 60-70% energy savings over typical pulse start wallpacks. Uses include office buildings, shopping centers, restaurants, schools, warehouses, parking garages and other commercial applications
- The die-cast aluminum housing provides firm mounting over recessed junction boxes; 1/2" side hubs for surface conduit wiring; Housing includes a top hub for use with button photo controls for dusk-to-dawn control; The construction not only provides a rigid mount but an excellent heat sink for the LED system, allowing proper operating temperature for optimum performance and long life (50,000hr)
- LEDs with CCT of 5100K, 4200K and 3000K are available
- Two door options are available: A cast aluminum with prismatic borosilicate glass assembly and an all polycarbonate, one-piece, vandal resistant door
- Typical mounting heights of 12-15 feet; The lateral spread allows typical spacing of three to four times the mounting height with excellent uniformity
- Available in two lumen outputs
- Listed to UL 1598 for use in wet locations



PGM3



PVL3





WALLPACKS

ORDERING INFORMATION

Catalog Number	Construction	Wattage	Drive Current	Voltage	Color Temperature	Lumens	LPW	Weight lbs. (kg)
PGM3-30LU-3K-BZ	Glass refractor	71	700ma	120-277V	3000K	3932	56	16
PGM3-30LU-3K-035-BZ	Glass refractor	34	350ma	120-277V	3000K	2338	69	15
PGM3-30LU-4K-BZ	Glass refractor	69	700ma	120-277V	4200K	5157	69	16
PGM3-30LU-4K-035-BZ	Glass refractor	34	350ma	120-277V	4200K	2955	88	15
PGM3-30LU-5K-BZ	Glass refractor	69	700ma	120-277V	5100K	5678	82	16
PGM3-30LU-5K-035-BZ	Glass refractor	34	350ma	120-277V	5100K	3209	96	15
PVL3-30LU-3K-BZ	Polycarbonate refractor	71	700ma	120-277V	3000K	3490	49	11
PVL3-30LU-3K-035-BZ	Polycarbonate refractor	34	350ma	120-277v	3000K	2089	62	10
PVL3-30LU-4K-BZ	Polycarbonate refractor	69	700ma	120-277V	4200K	4505	66	11
PVL3-30LU-4K-035-BZ	Polycarbonate refractor	34	350ma	120-277V	4200K	2614	78	10
PVL3-30LU-5K-BZ	Polycarbonate refractor	69	700ma	120-277V	5100K	4873	69	11
PVL3-30LU-5K-035-BZ	Polycarbonate refractor	34	350ma	120-277V	5100K	2757	81	10

Notes: *Units are universal voltage 50/ 60 hz. Change "U" to 347v or 480v for those voltage options. On PGM3, for other finishes, change BZ to BL-Black, WH-White, GR-Gray, PS-Platinum Silver

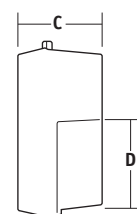
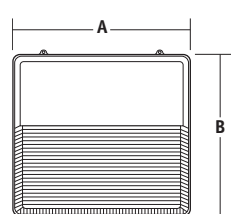
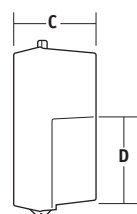
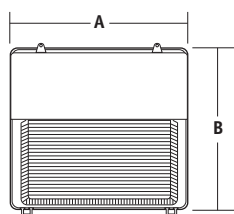
PERFORMANCE INFORMATION

Series Number	Equivalency			Delivered Lumens	System Watts	Lumens Per Watt	Mounting Height	CCT	Voltage	Drivers/ Current
	MH	HPS	CFL							
 PGM3-30LU	250w	250w	-	5,678	69	82	15-18 ft.	5100K	120-277V	1@700mA
 PVL3-30LU	250w	250w	-	4,873	69	71	15-18 ft.	5100K	120-277V	1@700mA

REPLACEMENT PARTS - Order Separately

Catalog Number	Description
200-0180-9904	Replacement lens/door PVL3
80033990104	Replacement lens/door PGM3

DIMENSIONS



	A	B	C	D
PGM3	14 7/8"	15"	8"	6 13/16"
	378 mm	381 mm	203 mm	173 mm

	A	B	C	D
PVL3	14 7/8"	15"	8"	7 7/16"
	378 mm	381 mm	203 mm	189 mm



HUBBELL
Outdoor Lighting

BRLU

Euroluxe® Decorative Wall/Ceiling Series

WALL/SURFACE



- Use for wall or ceiling applications at entrances, stairs, corridors or single story building accent
- Borosilicate glass lens with silicone gasket; Shields the lamp and softly spreads the light in a symmetrical distribution
- Die-cast aluminum housing and face trims; Two point mount to recessed wiring boxes; (no side conduit feeds); Twin stainless steel screws secure the trims and lens to the housing
- BRLU LED unit available in 15w, 120-277V, 830 lumens, 5000K, 50/60Hz
- Finishes in dark bronze, white and black
- Listed to UL1598 for use in wet locations

ORDERING INFORMATION

Catalog Number	Shape	Finish	Wattage	Volts	Weight lbs. (kg)
BRLU-01	Round	Bronze	15w	120-277V	6.0 (2.7)
BRLU-04	Round	White	15w	120-277V	6.0 (2.7)

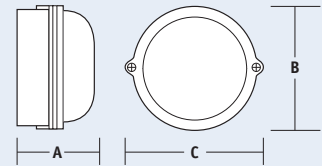
ACCESSORIES - Order Separately

Catalog Number	Description
BR-GX ¹	Cast aluminum guard for round fixture
BR-SX ¹	Cast aluminum shield for round fixture

¹ Finish must be specified, substitute X for: 1-bronze, 2-black, 4-white.

REPLACEMENT PARTS

Catalog Number	Description
266-0067-9904	BR replacement lens



	A	B	C
BRLU	5 1/2"	9 1/2"	10 1/8"
	140 mm	241 mm	257 mm

HVS

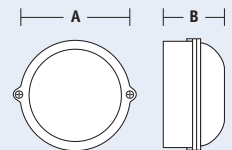
Hercules® Decorative Vandal Resistant Luminaires



- Opal polycarbonate lens retained with cast aluminum door/trim frame and gasketed to housing; Allen head tamper-resistant screws standard
- Two sizes (HVS/HVL) for proper scale; Cast aluminum housing with lag mount for durability; Cast trims provide styling and added protection
- Opal lens provides a soft uniform Type V distribution; Wattage/source selections allow the designer to select the desired footcandle level
- Powder paint finishes accent building trim and protect your investment; Standard color is dark bronze
- Listed to UL 1598 for use in wet locations

ORDERING INFORMATION: HVS COMPACT SERIES

Catalog Number	Style	Wattage	Source	Voltage	Finish
HVS0-6LU-5K-1	Opal Lens	15w	LED	120-277V	Bronze
HVSG-6LU-5K-1	Guard	15w	LED	120-277V	Bronze
HVSH-6LU-5K-1	Hood	15w	LED	120-277V	Bronze




REPLACEMENT PART

Catalog Number	Description
264-0400-9903	Replacement lens only for HVS units

	A	B
HVS0	10 1/10"	5"
	257 mm	127 mm
All Others	10 1/10"	5 1/2"
	257 mm	140 mm

PERFORMANCE INFORMATION

Series Number	Equivalency			Delivered Lumens	System Watts	Lumens Per Watt	Mounting Height	CCT	Voltage	Drivers/Current
	INC	HPS	CFL							
 BRLU/HVS	100w	50w	28w	830	15.2	55	Up to 10 ft.	5000K	120-277V	1@700mA

NRG® 4000 LED Series

Lumasquare® II High Performance LED Indoor/Outdoor Lowbay Series

- Designed for illumination of commercial indoor/outdoor lowbay applications including: mechanical rooms, retail, covered loading docks and utility areas
- Rugged, die-cast housing has a durable Lektrocote® finish available in bronze, white, black and gray. Mounts over recessed J-box and features two convenient 1/2" side hubs for surface conduit mounting
- Stainless steel vandal-resistant screws standard
- Fully gasketed for weatherproof/bug-proof integrity
- 4200K CCT (70 CRI) nominal and 5100K CCT (67 CRI) nominal
- One-piece, injection-molded, clear prismatic acrylic refractor enhances space with upright; High temperature acrylic for reduced yellowing, uniform light distribution and low glare; High transmittance acrylic featuring 82-84% efficiencies plus three times impact strength of standard acrylic
- Listed to UL1598 for use in wet locations
- Five year limited warranty
- 10KA surge protector standard







ORDERING INFORMATION

Catalog Number	Mounting	Wattage	Voltage	Lumens	Drive Current
NRG4-30LU-4K-035-BZ	Ceiling/conduit	35	120-277V	3355	350mA
NRG4-30LU-4K-BZ	Ceiling/conduit	70	120-277V	5872	700mA
NRG4-30LU-5K-035-BZ	Ceiling/conduit	35	120-277V	3543	350mA
NRG4-30LU-5K-BZ	Ceiling/conduit	70	120-277V	6122	700mA

1 For alternate housing finish change BZ to WH-White, BL-Black, GR-Gray

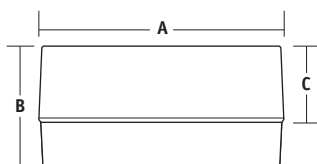
PERFORMANCE INFORMATION

Series Number	Equivalency			Number of LEDs	Delivered Lumens	System Watts	Lumens Per Watt	Mounting Height	Voltage	Drivers/Current
	MH	HPS	IND							
 NRG4-30LU-4K-035-BZ	70w	70w	70w	30	3355	35	96	up to 16 ft.	120-277V	1@350mA
 NRG4-30LU-4K-BZ	100w	100w	85w	30	5872	70	84	up to 16 ft.	120-277V	1@700mA
 NRG4-30LU-5K-035-BZ	70w	70w	70w	30	3543	35	101	up to 16 ft.	120-277V	1@350mA
 NRG4-30LU-5K-BZ	100w	100w	85w	30	6122	70	87	up to 16 ft.	120-277V	1@700mA

REPLACEMENT PART

Catalog Number	Description
800-3289-0100	Replacement refractor kit

DIMENSIONS



A	B	C	Weight
14" sq.	8 1/8"	4 3/4"	13.9 lbs.
356 mm	206 mm	121 mm	6.3 kg

Sedona – Surface/Ceiling/Garage Luminaire

CEILING/SURFACE/GARAGE



- For ceiling mount, parking garage, tunnel and walkway applications from an 8-18 foot mounting height; A wide range of lumen packages and optical distributions are available making the SCP Series luminaire both versatile and functional
- Vertically finned cast aluminum housing for maximum heat dissipation ensuring long component life and luminaire performance
- Choice of symmetric and asymmetric distributions for layout flexibility
- Dimming driver standard, 0-10V
- The SCP's hexagonal LED cluster design provides optical flexibility and light level scalability from a compact luminaire
- Lumen packages ranging from 3,700 – 8,600 with 18-36 LEDs
- Energy-efficient 92-100 lumens per watt
- IP-65 luminaire rating
- Choice of powder paint gray, bronze, black, white or platinum provides durable and lasting appearance
- Listed to UL 1598 for use in wet locations
- Occupancy, photocell, and wiHUBB wireless controls available for complete on/off and dimming operation

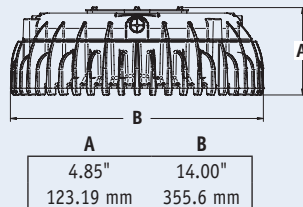
ORDERING INFORMATION



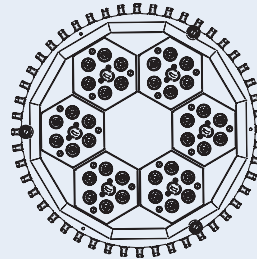
SERIES	NUMBER OF LEDs	VOLTAGE	CCT	IES DISTRIBUTION	FINISH	OPTIONS
SCP Sedona surface/ceiling/garage luminaire	18L 18 LEDs, 43w input 24L 24 LEDs, 57w input 36L 36 LEDs, 86w input	U 120-277V 1 120V 2 208V 3 240V 4 277V 5 480V F 347V	4K 4200K nominal, 70 CRI 5K 5100K nominal, 67 CRI	5M Type V square 5R Type V rectangle 4 Type IV	DB Bronze BL Black WH White PS Platinum Silver GR Gray	PC(X) Button photocontrol, replace X with voltage, specify 1-120V, 2-208V, 3-240V, 4-277V, 6-347V F(X) Fusing 1-120V, 2-208V, 3-240V, 4-277V, 6-347V WIH In fixture wireless control, consult factory

ACCESSORIES - ORDER SEPARATELY

Catalog Number	Description
SCP-SPC	Vandal shield
SCP-BS	Bird shield



Weight 16lbs. 7.27 kg



MOTION CONTROL OPTIONS

- SCO** On/Off control - No light output when no motion detected
- SCP** High/Low control - user programmable low settings of 70, 60, 50, 20% of power; Factory default is 50%

PERFORMANCE INFORMATION

Series Number	Equivalency			Number of LEDs	Delivered Lumens		System Watts	Lumens Per Watt	Mounting Height	Voltage	Drivers/Current
	MH	HPS	IND		4200K	5100K					
SCP-18LU-5R	70w	70w	70w	18	4020	4298	43	100	8 - 16 ft.	120-277V	2@700mA
SCP-24LU-5R	100w	100w	85w	24	5375	5750	57	100	8 - 16 ft.	120-277V	2@700mA
SCP-36LU-5R	150w	150w	100w	36	8030	8596	86	100	8 - 16 ft.	120-277V	3@700mA
SCP-18LU-5M	70w	70w	70w	18	3835	4102	43	95	8 - 16 ft.	120-277V	2@700mA
SCP-24LU-5M	100w	100w	85w	24	5110	5469	57	96	8 - 16 ft.	120-277V	2@700mA
SCP-36LU-5M	150w	150w	100w	36	7670	8204	86	95	8 - 16 ft.	120-277V	3@700mA
SCP-18LU-4	70w	70w	70w	18	3725	3981	43	92	8 - 16 ft.	120-277V	2@700mA
SCP-24LU-4	100w	100w	85w	24	5020	5369	57	94	8 - 16 ft.	120-277V	2@700mA
SCP-36LU-4	150w	150w	100w	36	7445	7962	86	92	8 - 16 ft.	120-277V	3@700mA

SCP Controls

Sedona LED luminaire with passive infrared motion sensor control option (individual luminaire control)

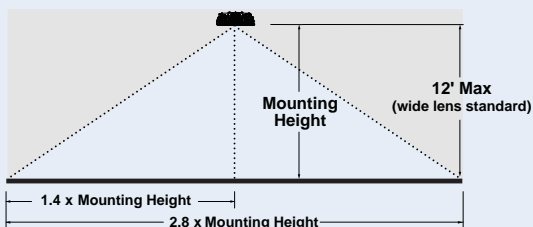
Sedona LED luminaires with motion sensor option can be configured to illuminate from low to high power or off to on when motion is detected. Luminaire will return to off or low when motion is no longer detected.

- Digital Passive Infrared (PIR) sensor with dual element pyrometer and spherical fresnel lens for detection of major human motion/activity; Objects in path of sensor line of sight can limit coverage
- Two versions available – high/low or on/off
- User programmable low settings of 70, 60, 50, 20 percent of power; Factory default is 50% of power
- 360° sensor range
- 12 ft. maximum mounting height indoors (wide lens standard)
- Low temperature (-30°C to 40°C maximum) indoor-outdoor sensors
- User programmable sensor setting mode (test/normal)
- Time out delay is field adjustable; User programmable settings of 5, 10, 15 & 30 min; Factory default setting is 5 minutes
- All units equipped with daylight harvesting which can be user enabled. Factory default setting is disabled; Ambient light range is user selectable from 1-50 FC; Daylight harvesting feature has precedence over motion control turning fixture completely on or off
- Sensor conforms to UL Standard 508, UL Standard 244A & IP65
- Conforms to California Title 24/ASRAE 90.1/CBEA

Design Considerations

- Vehicle detection is possible however less reliable than human detection; Vehicle detection is dependent upon the following: rate of speed, mounting height of luminaire and vehicle background temperature (see sensor range diagram below)
- Start up delay from initial motion detection to fixture illumination is approximately 1-2 seconds

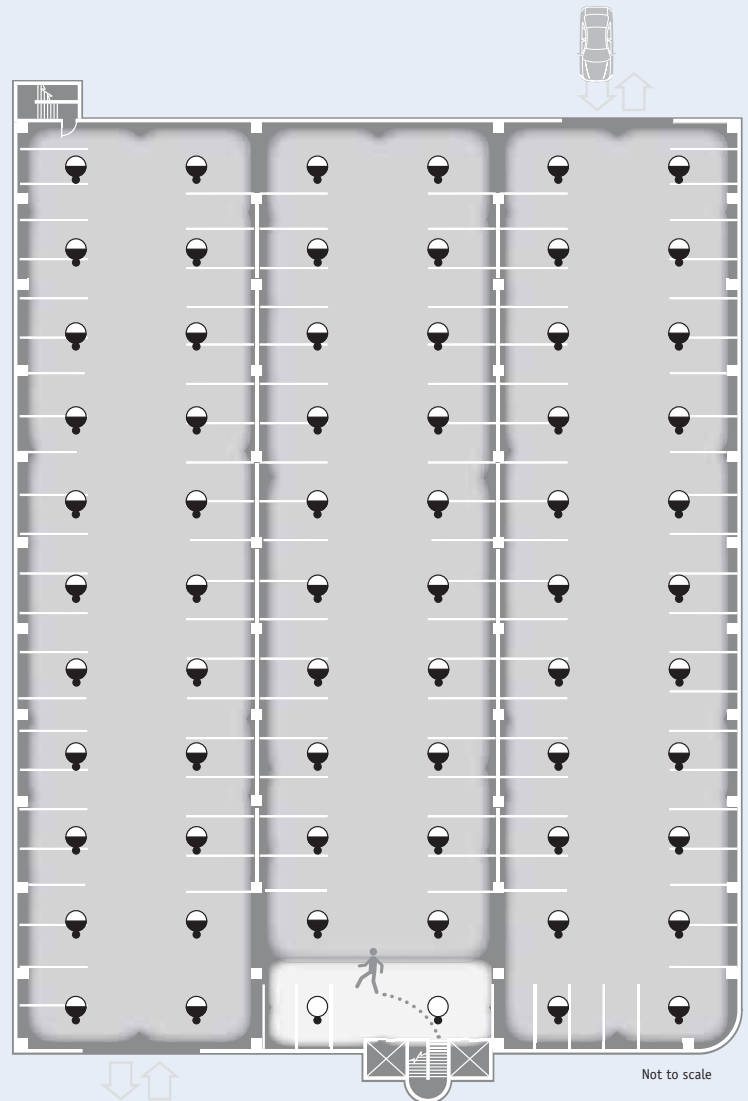
Sensor Range



Examples

Luminaires installed at a 12 ft mounting height results in a 11 ft detection radius (22 ft. diameter). A vehicle moving 10 mph travels a distance of 15 ft per second. As a result illumination would not occur until vehicle is beneath luminaire.

Luminaires installed at a 12 ft mounting height results in an 11 ft detection radius (22 ft. diameter). A pedestrian moving 3 mph travels a distance of 4.5 ft per second. As a result illumination would occur when pedestrian is within 6-8 ft of the luminaire.



Sedona Luminaire with passive infrared sensor control

- High 100% light output
- Low light output

Ordering Information

Sedona luminaire offers the following motion sensor options:

- SCO – On/Off control - No light output when no motion detected
Reference Sedona specification page for additional ordering information
- SCP – High/Low control – user programmable settings of 70, 60, 50, 20% of power; Factory default is 50%

RM LED

Roadway RM30 Series

ROADWAY



- Designed for roadway, parking, area and perimeter lighting; These versatile Roadway luminaires are designed to replace existing cobra-head style fixtures from 70-150w while saving up to 50% in energy; LED luminaires feature optimum uniformity, elimination of 'hot spots' and zero uplight
- 3800 lumens at 350 mA or 6700 lumens at 700 mA
- 30 LED light engine
- Standard IES distributions of Type II, III, IV, V with up to 111 LPW efficiency
- 120-277V, 347/480V electronic dimming drivers, 2 at 700 mA, 1 at 350 mA
- Die-cast aluminum housing
- Lektrocote® finish in 2 standard and custom colors
- IP65 LED light engine assembly and drivers
- 10KA surge protector standard
- DesignLights Consortium qualified

ORDERING INFORMATION

SERIES	NUMBER OF LEDS	VOLTAGE	CCT	IES DISTRIBUTION	DRIVE CURRENT	PHOTOCONTROL RECEPTACLE	OPTIONS	FINISH
RM	30L							
RM	30L 30 LEDs	U 120-277V 5 480V	3K 3000K nominal, 80 CRI 4K 4200K nominal, 70 CRI 5K 5100K nominal, 67 CRI	2 Type II 3 Type III 4 Type IV 5M Type V	BLANK 700 mA 035 350 mA	2 None 3 Yes	F(X) Fusing, replace X with voltage, specify: 1-120V 2-208V 3-240V 4-277V 5-480V 6-347V	BK Black DB Dark Bronze CC Custom Color (Reference RAL#) GR Gray PS Platinum Silver WH White

PERFORMANCE INFORMATION

Series Number	Equivalency		Delivered Lumens		Number of LEDs	System Watts		Lumens Per Watt	CCT	Drivers/Current
	MH	HPS	Type 2	Type 3		120V-277V	347V-480V			
RM-30LU-3K	175w	150w	4612	4632	30	70	70	65	3000K	2@700mA
RM-30LU-4K	250w	250w	5844	5840	30	70	70	83	4200K	2@700mA
RM-30LU-5K	250w	250w	6712	6718	30	70	70	95	5100K	2@700mA

DIMENSIONS



A	B	C	EPA	Weight
6.75"	13"	29.75"	0.6 ft. ²	14.20 lbs.
171 mm	330 mm	756 mm	.05 m ²	6.44 kg.

RL LED

Roadway RL60 Series

- Designed for roadway, parking, area and perimeter lighting; These versatile Roadway luminaires replace existing cobra-head style fixtures from 200-400w while saving up to 65% in energy; LED luminaires feature optimum uniformity, elimination of 'hot spots' and zero uplight
- 12000 lumens at 700 mA
- Standard IES distributions of Type II, III, IV, V with up to 86 LPW efficiency
- Two 30 LED light engines
- 120-277V, 347/480V electronic dimming drivers (4) standard
- Die-cast aluminum housing
- Lektrocote® finish in 2 standard and custom colors
- IP65 LED light engine assembly and drivers
- 10KA surge protector standard
- DesignLights Consortium qualified



ROADWAY

ORDERING INFORMATION

SERIES	NUMBER OF LEDS	VOLTAGE	CCT	IES DISTRIBUTION	DRIVE CURRENT	PHOTOCONTROL RECEPTACLE	OPTIONS	FINISH
RL Zero uplight large Roadway	60L 60 LEDs	U 120-277V 5 480V F 347V	3K 3000K nominal, 80 CRI 4K 4200K nominal, 70 CRI 5K 5100K nominal, 67 CRI	2 Type II 3 Type III 4 Type IV 5M Type V	BLANK 700 mA (141w)	2 None 3 Yes	F(X) Fusing, replace X with voltage, specify: 1-120V 2-208V 3-240V 4-277V 5-480V 6-347V	BK Black DB Dark Bronze CC Custom Color (Reference RAL#) GR Gray PS Platinum Silver WH White

PERFORMANCE INFORMATION

Series Number	Equivalency		Delivered Lumens		Number of LEDs	System Watts		Lumens Per Watt	CCT	Drivers/Current
	MH	HPS	Type 2	Type 3		120V-277V	347V-480V			
31% SAVINGS! RL-60LU-3K	250w	150w	8833	8694	60	141	141	63	3000K	4@700mA
56% SAVINGS! RL-60LU-4K	320w	400w	11044	11062	60	141	141	79	4200K	4@700mA
56% SAVINGS! RL-60LU-5K	320w	400w	11759	12058	60	141	141	85	5100K	4@700mA

DIMENSIONS



A	B	C	EPA	Weight
8.25"	15.75"	36.75"	1.0 ft. ²	28 lbs.
210 mm	400 mm	933 mm	0.1 m ²	12.7 kg.

VBGL/VWGL LED Series

Wet Location LED Vaportites

VAPORTITES



- Compact size measuring only 5.2" x 10.37" (wall mount version slightly larger)
- 757 lumens, 11w system, 70 LPW
- Frosted glass lens distributes light evenly without any LED brightness or glare
- Pendant mount version accommodates traditional 1/2" x 14 NPS threaded conduit
- 120-277V operation, 50/60Hz
- Rugged die-cast aluminum housing with removable cast aluminum guard with vandal resistant set screws included, gray finish
- IP65, listed to UL1598 for use in wet locations (unit is not rated for use in hazardous locations)
- Four color multi-language merchandising carton with application details

ORDERING INFORMATION

Catalog Number	Construction	Mount	Wattage	Drive Current	Voltage	Color Temperature	Lumens	LPW	Weight lbs. (kg)
VBGL-1	Globe refractor	Ceiling/Pendant	11	250mA	120-277V	4000K	757	70	3.4 (1.54)
VWGL-1	Globe refractor	Wall	11	250mA	120-277V	4000K	757	70	3.6 (1.63)

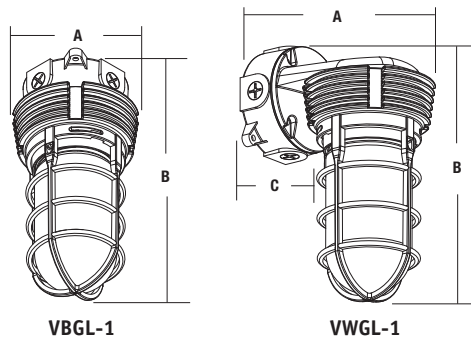
PERFORMANCE INFORMATION

Series Number	Equivalency		Delivered Lumens	System Watts	Lumens Per Watt	Beam Pattern	CCT	Voltage	Drivers
	INC	CFL							
VBGL-1	150w	32w	757	11	70	Symmetric	4000K	120-277V	1
VWGL-1	150w	32w	757	11	70	Symmetric	4000K	120-277V	1

REPLACEMENT GLOBES

Catalog Number	Description
VAMG-100	Amber
VBG-100	Blue
VBGP-100	Blue, tempered
VCGP-100	Clear, tempered
VCGPT-100	Clear, tempered w/ Tuffskin® coating
VGL-FG	Frosted globe
VGL-GUARD	Guard with set screws
VG-15	Clear, standard
VGG-100	Blue Green
VGGP-100	Blue Green, tempered
VPG-100	Purple
VRG-100	Ruby
VRGP-100	Ruby, tempered
VRGP-100	Ruby
VRS-100	Green

DIMENSIONS



	A	B	C
VBGL-1	5.2"	10.37"	-
	132 mm	263 mm	-
VWGL-1	7.34"	11"	5.2"
	186 mm	280 mm	132 mm

DDL Dusk-to-Dawn

Multi-purpose LED Luminaire

- Zero uplift design for environmentally friendly installations
- Refractor provides enhanced security lighting and LED brightness control
- 40w system with up to 3437 lumens and 86 LPW
- Symmetric lens installed standard
- Field rotatable asymmetric lens included
- 120V operation
- 120V twist-lock style photocontrol included
- Rugged die-cast aluminum housing with both 2-3/8" & 1-5/8" OD mast arm mount capability as well as direct wall/surface mounting
- Textured gray powder paint finish
- Four color multi-language merchandising carton with application details
- 24" (18" projection) arm included





DUSK-TO-DAWN

ORDERING INFORMATION

Catalog Number	Construction	Mount	Wattage	Drive Current	Voltage	Color Temperature	Lumens	LPW	Weight lbs. (kg)
DDL-9L1	Die-cast aluminum	Arm/Wall/Surface	40	1280mA	120V	5100K	3437	86	6.8 (3.08)

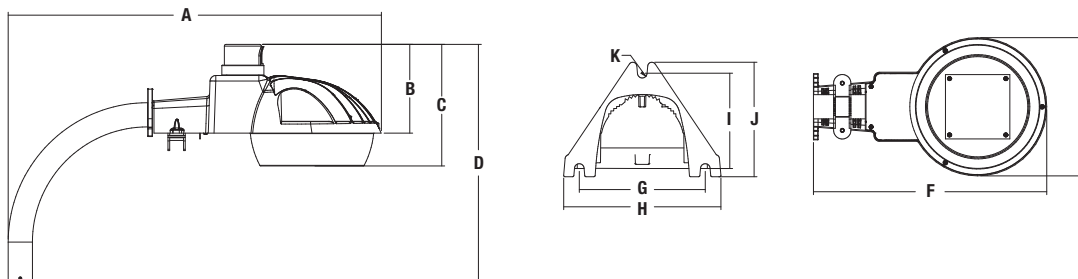
PERFORMANCE INFORMATION

Series Number	Equivalency			Delivered Lumens	System Watts	Lumens Per Watt	Mounting Height	CCT	Voltage	Drivers/Current
	MH	HPS	CFL							
 DDL-9L1 (Symmetric lens)	100w	100w	85w	3437	40	86	up to 20 ft.	5100K	120V	1@1280mA
 DDL-9L1 (Asymmetric lens)	100w	100w	85w	3246	40	81	up to 20 ft.	5100K	120V	1@1280mA



Shown with acrylic refractor attached

DIMENSIONS



A	B	C	D	E	F	G	H	I	J	K
29.72"	6"	8.25"	16.19"	9.45"	16"	3.62"	4.52"	2.74"	3.29"	.138"
754 mm	152 mm	209 mm	411 mm	240 mm	406 mm	92 mm	115 mm	69 mm	84 mm	3.5mm

12V LED Lightscape® System

Long Life, Easy to Install, No Maintenance Lighting System

LANDSCAPE



- LED landscape fixtures, long life, low energy consumption, no maintenance, three-year limited warranty
- Die-cast aluminum construction, professional grade, built to perform with durable design
- Powder coat polyester epoxy finish maintains lasting beauty
- 1.5w path fixtures in 7 styles; 3w flood and recessed uplight; 3000K CCT
- Path and flood fixtures are complete with stake, 4' fixture cable, and "Smart Connect" tool-free connector; Flat surface deck adapter included
- Control center is UL listed for wet locations and features non-metallic housing, grounded cord set, photocontrol, and easy cable connect

A simple system, easy to install and maintain, with low energy consumption for safety, security and property enhancement. Go Green with Hubbell Lightscape® LED products!

ORDERING INFORMATION

Catalog Number	Finish	Description	Weight
TULIP			
TL-AB	Antique Bronze	The plant lover's favorite. Sweeping stem tulip, 20" tall with decorative leaves. Use along paths, walks, or to accent special plantings. Creates a 6' pool of light to the front. Needs little or no watering!	2.25 lbs
TL-AG	Antique Green		
CONE			
CO-AB	Antique Bronze	Create a tropical image. The basic 7" dia. cone shape sits 15" high and creates a 5' lighted area with soft, indirect shielded light. Excellent for subtle illumination of plants or walkways.	2.0 lbs
CO-AG	Antique Green		
GREENVILLE			
GN-AB	Antique Bronze	A stately appearance with classic shape. Stands 16" tall with 5" dia. head. Frosted lens provides soft lighting of taller surrounding plantings with 5' coverage. Use along walkways, steps. Typical spacing 8'-12'.	2.75 lbs
GN-PT	Pewter		
MISSION			
MS-AB	Antique Bronze	Traditional and classic. Complements a wide variety of architecture. Soft glow to side and ground. Stands 16" tall with 5" square head. Typical spacing 8'-10'.	3.25 lbs
MS-AG	Antique Green		
SATURN			
SA-AB	Antique Bronze	Modern and distinctive. Shepherd's crook arm supports copper-top head with cone shape lens. Lighting covers 6' circle with ample vertical illumination for taller plantings. Adjustable arm. Make a statement with Saturn!	2.75 lbs
SA-PT	Pewter		
REIDVILLE			
RD-AB	Antique Bronze	Bell-shaped head supported by decorative arm and sturdy staff. Full cut-off pattern provides 5' light pool on ground with no glare. Perfect for highlighting walkways, flowers and specimen plants. Typical spacing 8'-10'.	3.25 lbs
RD-PT	Pewter		
SEASHELL			
SS-AB	Antique Bronze	Large seashell with adjustable knuckle. Use as full cut-off or tilt up (45° max.) for larger area coverage.	2.0 lbs
SS-AG	Antique Green	A powerful and flexible luminaire for lighting large flower beds or building perimeter plantings.	
EYELID			
EL-AB	Antique Bronze	Round eyelid for deck post or steplighting. Can be surface mounted or semi-recessed. Use for accent or small area illumination of perimeters or stairways. 2' mounting height provides soft coverage 5' w, 2' forward. 6' fixture cable.	1.0 lbs
EL-PT	Pewter		
RECESSED			
RE-PT	Pewter	Round recessed uplight for accent lighting of trees, columns and building facades. Powerful 3w LED projection beam. Provides hidden light source.	1.5 lbs
FLOODLIGHT			
FL-AB	Antique Bronze	Powerful 3w LED projection flood with adjustable knuckle for versatile aiming. Use for accent lighting of building facades, small signs or address numbers, columns, trees and residential flags to 20'.	2.0 lbs
CONTROL CENTER			
LVT56	Black	Non-metallic case protects timer controls and 120V to 12V transformer. Surge protected with grounded cord/plug set and easy 12V cable attachment. Photocontrol triggers "time on", eliminating seasonal adjustment. UL and cETL certified. 56w capacity.	4.0 lbs
CABLE			
CB-75	Black	Low voltage #14 cable runs from LVT56 transformer down path of lighting. UV protected, burial is not required, hide with mulch if desired. Perfect fit with fixture connectors for easy installation (150' is the max. run distance from transformer location to assure best fixture operation).	4.0 lbs
CB-150	Black		6.0 lbs

NOTE: All fixtures are complete with LED light engine, 4' minimum fixture cable and "Smart Connect" tool-free connector. Path lights and floods also include ground stake and a deck mount adapter for flat surfaces. When you purchase Lightscape®, you get it all!



HUBBELL
Outdoor Lighting

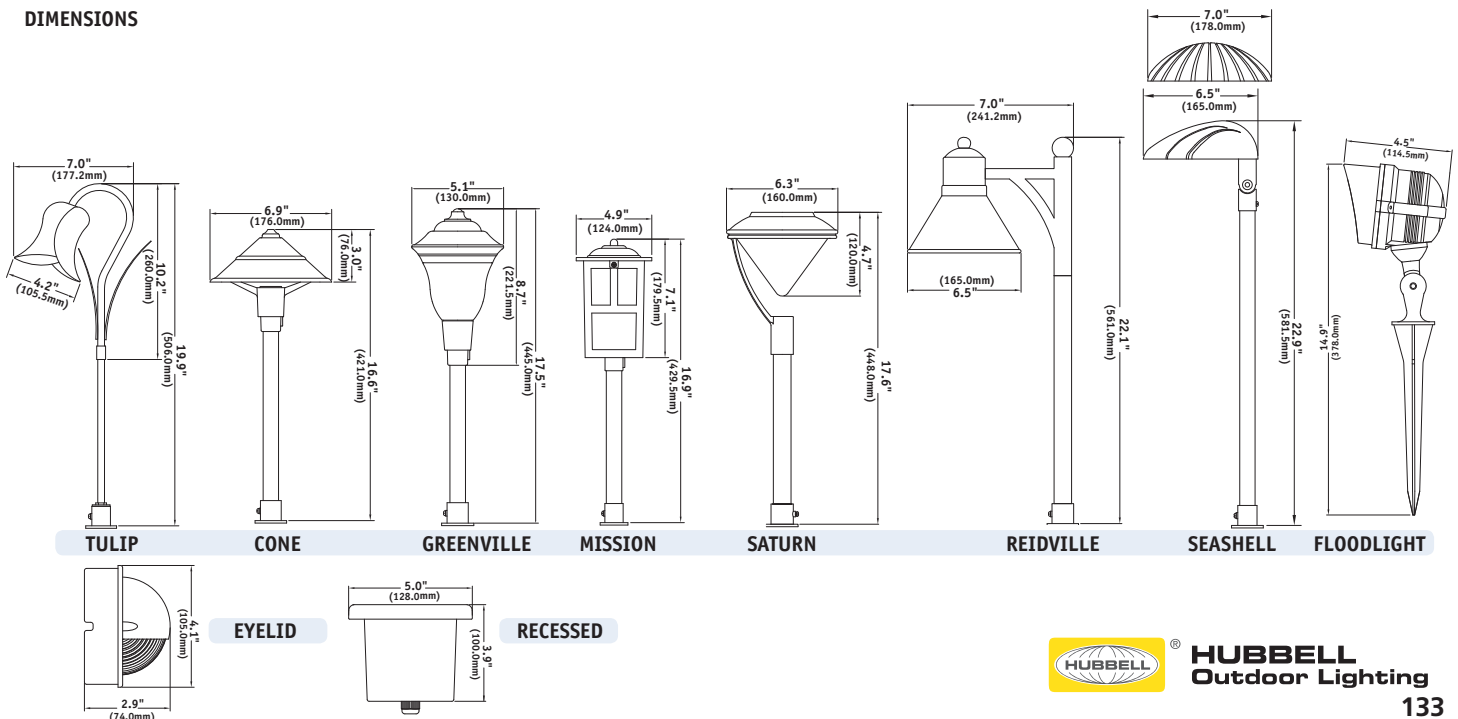
Lightscaper® Fixtures

12V LED

LANDSCAPE



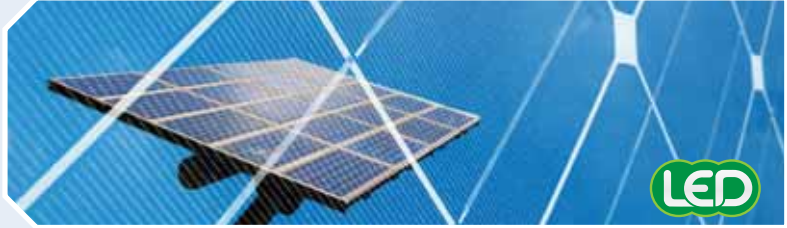
DIMENSIONS



SOLAR LIGHTING



Solar power is an abundant source of energy that can be converted directly into electricity using photovoltaics (PV). The energy of the sun (solar radiation) is captured by solar panels, an array of solar cells. With the advancements in solar technology coupled with the improvements in solid-state lighting, commercial and industrial applications can now realize the benefits of solar powered lighting. Hubbell Lighting is committed to providing innovative and sustainable lighting solutions which offset the rise in energy costs and our impact on the environment.



Hubbell Outdoor and Spaulding Lighting offer sustainable solar powered lighting solutions for area/site, roadway, floodlighting, pathway and wall ceiling applications using the most popular luminaires. The available products include: Roadway LED, Cimarron area/site LED, Laramie LFS flood LED, Eurolux® LED, Laredo LED wallpack and Tempe LED bollards. These solar powered lighting solutions offer an environmentally friendly “clean energy” solution to lighting with the potential benefits of receiving special incentives for renewable projects.

SOLAR POWERED LIGHTING FEATURES AND BENEFITS

- * Solar powered lighting offers an environmentally friendly solution to lighting
- * Security, navigation and identification lighting for areas where grid tied power may be inaccessible, unreliable or too costly
- * No trenching
- * No wires
- * No electric bills
- * Funding may exist in certain areas for renewable projects
- * Solar powered lighting system can be portable



THE SYSTEM – INTEGRATED SOLAR ELECTRIC POWER ASSEMBLIES



Energy-efficient solid state lighting fixture for variety of applications



Solar panel with self-contained electrical power assemblies – 5 to 340w



Round Straight Steel (RSS) and Round Straight Aluminum (RSA) construction poles available



Complete solar lighting solution with instant sustainable off-grid power source

Hubbell Lighting is pleased to partner with Solar Electric Power Company (SEPCO) to provide the most energy efficient and sustainable solar lighting solutions in the market.

Contact your Hubbell Lighting representative for details or visit www.hubbelloutdoor.com



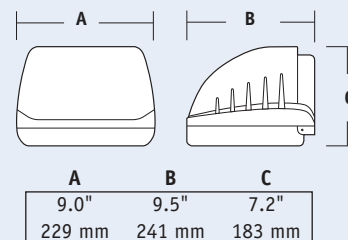
HUBBELL
Outdoor Lighting

- The LCC solar unit is used with Hubbell Lighting solar lighting package
- Decorative die-cast aluminum housing and door; Rugged design protects internal components and provides excellent thermal management for long life
- Flat, tempered, impact-resistant glass lens protects optics
- Powder paint finishes provide lasting appearance and are available in standard finishes: Dark Bronze, Black, White, Gray and Platinum
- Two-point lag mount securely holds housing to surface; Mounting template is provided
- 12 LED system delivers 820 lumens at 12.8w for 64 lumens per watt efficiency, 5000K CCT, 12V DC system
- Designed for mounting over standard recessed junction boxes or for wiring with surface conduit; 1/2" hubs with plugs provided on top and sides for versatile access
- IDA compliant entry or perimeter lighting
- Six to twelve foot typical mounting heights
- Suitable for use in wet locations



ORDERING INFORMATION (Must be ordered with Hubbell Lighting solar power assembly, see specification sheets for detailed information)

LCC	-	12LD	-	5K	
SERIES	NUMBER OF LEDS/SOURCE/VOLTAGE	CCT	FINISH		
LCC Laredo Compact Zero upright	12LD 12 LEDs, 12V DC	5K 5000K nominal	1 Bronze 2 Black 3 Gray 4 White 5 Platinum		
Catalog Number	Description				
LCC-SPC	Polycarbonate shield				



BRLD

Euroluxe® Solar

- The Euroluxe® solar luminaire is used with Hubbell Lighting Solar Package; Using Euroluxe's two finishes and accessory trims, various styles can be created for use in both interior or exterior applications such as entry, stairwells, perimeter walls, corridors; Units can be wall or ceiling mounted
- Borosilicate glass lens sealed to housing by silicone gasket and stainless steel philips head screws; Ribbed lens uniformly spreads light for a symmetrical, soft distribution
- Die-cast aluminum housing and face trims
- Dark bronze and White finishes are offered standard
- Suitable for use in wet locations
- 6 LEDs, 15w, 12V DC, 834 lumens, 5000K, 61.5 lumens per watt efficiency
- Units are designed to operate from -35° C to 40° C ambient
- Two point lag or hickey mount to recessed junction box.



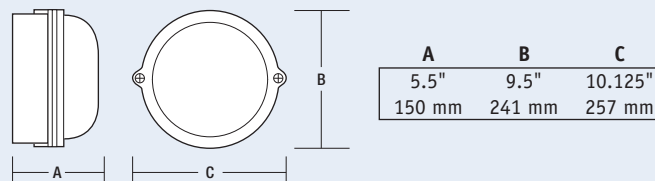
ORDERING INFORMATION (Must be ordered with Hubbell Lighting solar power assembly, see specification sheets for detailed information)

Catalog Number	Shape	Finish	Wattage	Weight lbs. (kg)
BRLD-01	Round	Bronze	15w	6.0 (2.7)
BRLD-04	Round	White	15w	6.0 (2.7)

ACCESSORIES - Order Separately

Catalog Number	Description
BR-GX ¹	Cast aluminum guard for round fixture
BR-SX ¹	Cast aluminum shield for round fixture

¹ Finish must be specified, bronze and white are stock, substitute X for: 1-bronze, 4-white



LFS

Compact Solar Flood

SOLAR



- The compact LED solar flood is used with Hubbell Lighting solar package; Laramie LFS is suited for illuminating signs, facades, small area illumination, flag poles and landscape accent
- Decorative die-cast aluminum construction
- Silicone gasketing for positive seal, 1/2" threaded knuckle for use with accessories or mounting by others
- Five standard polyester powder protective finishes plus custom color capability are offered
- Narrow beam (NEMA 1x1) provides a spot for flags, columns and accent lighting
- Medium beam (NEMA 4x4) delivers mid-range beam punch
- Wide beam (NEMA 6x6) with uniform distribution – great for close setbacks
- LED units offer long life with little maintenance and low energy consumption; 12 LEDs, 15w, 12VDC, 936-954 lumens, 5000K CCT, 64 lumens per watt efficiency
- Suitable for use in wet locations

ORDERING INFORMATION (Must be ordered with Hubbell Lighting solar power assembly, see specification sheets for detailed information)

SERIES	#OFLEDS/SOURCE/VOLTAGE/CCT/BEAM	FINISH
LFS Laramie Flood Small	12LD-5K-W 15w 12V DC, 6x6 12LD-5K-M 15w 12V DC, 4x4 12LD-5K-N 15w 12V DC, 1x1	BZ Bronze BL Black GR Gray WH White PS Platinum

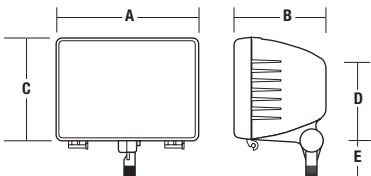
ACCESSORIES - Order Separately, Field Installed

Catalog Number	Description
1031-3	Portable spike with 1/2" top hub and 6ft cord set, platinum/gray finish
LFS-GS	Glare shield, black
LFP-JB-BZ	Round pole-side junction box with hardware, 1/2" cover and bottom hub, bronze
LFS-SPC	Polycarbonate shield
MIC-TB	Half yoke wiring box, bronze
NM-BC	Non-metallic box and cover burial box with cable connectors
S-302-M51	2" pipe (2 3/8" O.D.) slip-fitter with 1/2" top hub for LFS/LFP, bronze
S-302-M52	2" pipe (2 3/8" O.D.) slip-fitter with 1/2" top hub for LFS/LFP, white
S-302	2" pipe (2 3/8" O.D.) slip-fitter with 1/2" top hub for LFS/LFP, platinum/gray
S329B	Wet location surface box with cover, (4) side and (1) cover 1/2" hub, nat. alum.

REPLACEMENT PARTS

Catalog Number	Description
93004823	Replacement lens
207-5011-0264	Bronze knuckle

DIMENSIONS



	A	B	C	D	E
LFS	10.25"	6.5"	8"	4"	2.5"
	260 mm	165 mm	203 mm	102 mm	63.5

ROADWAY DC RMCT

Solar LED Roadway

- The LED RM unit is used with Hubbell Lighting's solar lighting package; This DC unit is powered by the solar panel and battery that is custom designed for your location; Typical applications include roadway, parking, area and perimeter lighting
- Units are available in 35w, 50w, and 70w configurations; 12V DC input current
- Die-cast aluminum housing and doors provide light weight, yet durable protection, A driver door allows easy access for both mounting and wiring
- A 30LED light engine provides standard IES distributions of Type II, III, IV, V square with up to 86 LPW efficiency
- Each LED has individual optical lens so every source contributes to the same IES pattern
- IP-65 LED light engine assembly and driver(s)
- Lektrocote® finish with 2 standard and custom colors available
- Fixture feature a twin clamp mounting to either 2 3/8" OD or 1 5/8" OD pipe; A center fulcrum allows leveling of +or- 5 degrees by clamp adjustment
- A 'bird shield' is included on all fixtures; Fixtures are capable of 3G installations.
- IDA fixture seal of approval
- Suitable for use in wet locations

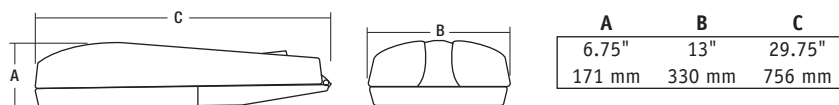


SOLAR

ORDERING INFORMATION (Must be ordered with Hubbell Lighting solar power assembly, see specification sheets for detailed information)

SERIES	NUMBER OF LEDS	VOLTAGE	CCT	IES DISTRIBUTION	DRIVE CURRENT	FINISH
RMCT Zero uplight medium solar Roadway	30L 30 LEDs	D 12V DC	4K 4200K nominal 5K 5100K nominal	2 Type II 3 Type III 4 Type IV 5 Type V	035 350 mA (35w) 052 525 mA (50w) 070 700 mA (71w)	M51 Bronze M53 Gray

DIMENSIONS



HUBBELL
Outdoor Lighting

CR1D

Cimarron Solar

FLOODLIGHTING

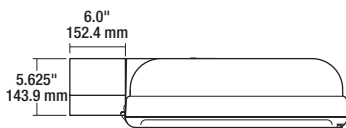
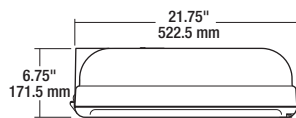
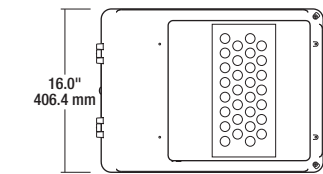


- The LED CR1 unit is used with Hubbell Lighting's solar lighting package; This DC unit is powered by the solar panel and battery that is custom designed for your location; Typical applications include roadway, parking, area and perimeter lighting
- Die-cast aluminum housing provides light weight, yet durable protection; Access to driver from two screws and hinged door for both mounting and wiring
- A 30LED light engine provides standard IES distributions of Type II, III, IV, V square with up to 86 LPW efficiency
- Each LED has individual optical lens so every source contributes to the same IES pattern
- Units are available in 35w, 50w, and 70w configurations; 12V DC input current
- CR1 fixtures feature straight arm mounting or optional mast arm fitter to 2 3/8" OD pipe
- IP-65 LED light engine assembly and driver(s)
- Units are designed to operate from -35° C to 40° C ambient
- Suitable for use in wet locations

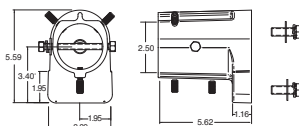
ORDERING INFORMATION (Must be ordered with Hubbell Lighting solar power assembly, see specification sheets for detailed information)

SERIES	MOUNTING	NUMBER OF LEDS/VOLTAGE	CCT	IES DISTRIBUTION	DRIVE CURRENT	FINISH
CR1D Solar Cimarron	A Arm mount (6" straight rigid arm included & acceptable for 90° configurations) MAF Mast arm fitter for 2 3/8" OD horizontal arm	30LD 30 LEDs, 12V DC	4K 4200K nominal 5K 5100K nominal	2 Type II 3 Type III 4 Type IV 5 Type V	035 350 mA (35w) 052 525 mA (50w) 070 700 mA (71w)	DB Dark Bronze GR Gray

DIMENSIONS



STRAIGHT ARM



MAST ARM FITTER OPTION

TMR/TMS

Solar LED Bollards

- The Tempe square and round bollards are used with Hubbell Lighting's solar lighting package; These DC units are designed to illuminate walkways and courtyards
- Extruded aluminum square or round housing, with tamper resistant hardware; Single screw access for top relamping; Decorative Southwestseries cast top
- Durable Lektrocote® TGIC thermoset polyester powder coat paint finish assures long life and maintenance-free service
- Units are available in 31w and 62w configurations, 12V DC input current
- 12 LED light engine, 31w, asymmetric distribution, 3500K or 5000K color temperature
- 24 LED light engine, 62w, symmetric distribution, 3500K or 5000K
- Sealed one-piece, clear acrylic lens; Specular, anodized aluminum optical systems
- Concealed, galvanized steel anchor base; Four 1/2" x 10" anchor bolts
- Suitable for use in wet locations



TEMPE ROUND

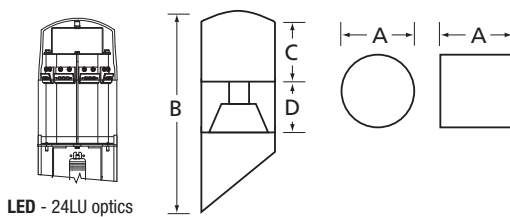
TEMPE SQUARE

FLOODLIGHTING

ORDERING INFORMATION (Must be ordered with Hubbell Lighting solar power assembly, see specification sheets for detailed information)

SERIES	NUMBER OF LEDS/CCT	VOLTAGE	FINISH
TMR Tempe Round	12LU-3K 12 LEDs, 31w, asymmetric distribution, 3500K	D 12V DC	DB Bronze
TMS Tempe Square	12LU-5K 12 LEDs, 31w, asymmetric distribution, 5000K		BL Gray
	24LU-3K 24 LEDs, 62w, symmetric distribution, 3500K		WH White
	24LU-5K 24 LEDs, 62w, symmetric distribution, 5000K		GR Gray
			PS Platinum Silver

DIMENSIONS



LED - 24LU optics

	A	B	C	D	Weight
TMR	7" dia. 178 mm	41 1/2" 1054 mm	5 1/2" 140 mm	4" 102 mm	41 lbs. 18.6 kg
TMS	6 3/4" dia. 171 mm	41 1/2" 1054 mm	5 1/2" 140 mm	4" 102 mm	41 lbs. 18.6 kg



SPAULDING LIGHTING

BRAND PROFILE

- Founded in 1955

Complete offering of outdoor area/site and pedestrian-level luminaires and poles for the commercial and institutional markets including parking areas, automotive dealerships, commercial developments, walkways and decorative roadway applications.

PRODUCT OFFERING

LED architectural area/site, post top, and bollard luminaires designed for the mid-specification and design-build markets, addressing their need for energy-savings, performance, delivery and value.





AREA/SITE LIGHTING

LED DESIGN GUIDE

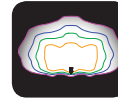
LED Area/site Design Guide pages 144-147



Cimarron CL1S Series pages 148-149



Cimarron CL1 Series pages 150-151



Cimarron ECL1PSE backlight control pages 151

POST TOPS



Peachtree PT Series pages 152



Vandalia VA Series pages 153

BOLLARDS



Tempe TMR/TMS Series pages 154



Fresno FN1/FN2 Series pages 155



LED Retrofit Kit BOLR/BOLS Series pages 156

MOUNTING ACCESSORIES & POLES



Cimarron Accessories CL1/CL1S Series pages 157



Poles FN1/FN2 Series pages 158-159

LED Design Guide

LED Optical Performance for Area/Site Lighting

LIGHTING SOLUTIONS UTILIZING LED SYSTEMS

Lighting decisions for today's commercial, retail and industrial property owners are rapidly changing. Today's lighting environment often requires businesses to look for innovative ways to dramatically reduce their overall energy costs, greenhouse gas emissions and overall operating risk. With the advancement of technology and rapidly changing criteria, business owners are often tasked with making tough decisions regarding the use of traditional light sources vs. an LED alternative solution.

Spaulding Lighting understands the importance of providing customers with the proper analysis and key data required to assist in their decision making process.

THE INNOVATIVE OPTICS OF THE SPAULDING CIMARRON LED SERIES LUMINAIRES:

- Utilize precise LED optical design and directional lens placement to maximize light delivery where it is needed
- Enable fewer fixtures to be used to deliver comparable light levels for significant energy savings
- Provide one solution to address the need to conserve natural resources without compromising safety and security
- Redistribute the light away from unwanted areas and place it where it can be better utilized
- Employ individual optics designed for maximum performance with very little wasted energy
- Offer enhanced uniformity for greater visibility

BEFORE



AFTER



LED Design Guide

LED Optical Performance for Area/Site Lighting

LED ADVANCEMENTS AND OPTICAL PERFORMANCE

With the rapid advancements of LED technology, visual acuity and better uniformity can be achieved while using less energy. Spaulding's Cimarron LED fixtures integrate the latest LED advancements and deliver optical performance that can perform as well as, and in most cases, better than historical HID fixtures with higher lumen packages.

Advancements in solid state technology have brought about the use of light sources such as LED that provide more energy efficiency and long life, and help protect the environment.

The Cimarron LED series delivers the following advantages:

- Delivers wider spacing and increased forward throw
- Improves overall uniformity
- Uses up to 50% less energy of an equivalent HID fixture at full brightness
- Bi-level control and continuous dimming options offer additional energy-savings
- Potential to reduce pole count
- Enables mounting heights from 15 ft. to over 35 ft.
- Performs virtually maintenance-free (L90 at 60,000 hours, projected per IESNA TM-21-11)
- Saves energy and reduces annual maintenance costs

FOR OUTDOOR PARKING APPLICATIONS, CONSIDERATION SHOULD BE MADE FOR THE FOLLOWING:

- Illuminance - minimum and uniformity requirements
- Energy savings
- Luminaire layout
- Maintenance
- Optical control
- Performance
- Environmental friendliness
- Total cost of ownership

CBEA Lighting Guidelines (Commercial Building Energy Alliance)	Minimum Horizontal	Uniformity
	Illuminance	Maximum: Minimum
Lighting Zone 0 Wilderness areas, parks and preserves, and undeveloped rural areas	N/A	N/A
Lighting Zone 1 Rural and low density residential areas	N/A	N/A
Lighting Zone 2 Light commercial business districts and high density or mixed use residential districts	0.50 fc	10:1
Lighting Zone 3 Large cities' business districts	0.75 fc	10:1
Lighting Zone 4 High intensity business or industrial zone districts	1.00 fc	10:1

The table above is taken from Commercial Building Energy Alliance Site Lighting Performance Specification for Exterior Parking Lots.

LIGHTING CONTROLS

The wiHUBB® control systems from HBA (Hubbell Building Automation) allow programmable control of site/parking luminaires for maximum energy savings. In-Fixture Modules feature full-range dimming capabilities into LED luminaires. Additionally, wiHUBB® Smart Pack and Preset Switch can be included for manual override control further maximizing savings (see Hubbell Building Automation pages 64 for more information)



WIHUBB® CONTROLS FEATURES AND BENEFITS

- Energy savings
- Programmable control of site luminaires wiHUBB® devices communicate utilizing the most advanced radio RF technology
- Fixture scheduling for On/Off and dimmed levels of illumination
- Lower installation costs, no additional wiring
- No rewiring or trenching on retrofit applications
- Factory installed wireless modules
- Expandable/scalable system grows as your facility and lighting needs grow



LED Design Guide

LED Optical Performance for Area/Site Lighting

AREA/SITE DESIGN GUIDE

APPLICATION BASED SOLUTIONS

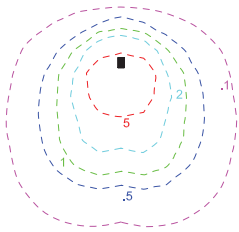
Examples show a photometric layout designed to the Commercial Building Energy Alliances (CBEA) Lighting Zone 4 minimum horizontal luminance of 1 foot candle utilizing LED. **The advantages and cost savings with LED are summarized below.**

It is also important to consider current IESNA recommended RP20 guidelines for designing fixed lighting for parking facilities. IESNA recommendations only apply to the design of new lighting systems for parking facilities. The lighting recommendations given here are for the reasonably safe movement of vehicular and pedestrian traffic in parking facilities. These values should be considered a minimum guideline, which are subject to changes based on sound engineering judgment. Considerations on illuminance requirements of a parking facility are affected by layout, opera-

tion, and vehicular traffic safety issues, plus the visibility and security needs of pedestrians walking to or from their vehicles. More commonly, parking lots are illuminated to higher levels for safety and security reasons.

IESNA RP 20 recommended maintained illuminance values for parking lots	Basic	Enhanced
Minimum horizontal illuminance	0.2 fc	0.5 fc
Uniformity ratio, (max/min)	20:1	15:1

TECHNOLOGY COMPARISON



EXAMPLE 1

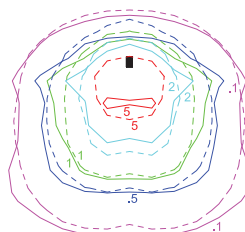
--- HYDROFORMED

Traditional HID

The large area of excessive lumens in the center of the diagram above provides a visual representation of wasted energy.

HID shoeboxes typically use a lamp in the horizontal position, emitting most of the light straight down at 0 degrees. The excessive lumens gather directly underneath the fixture resulting in:

- Bright, hot spot
- Increase in overall average footcandle levels for poor uniformity



EXAMPLE 2

--- HYDROFORMED — SEGMENTED

HID Segmented Reflectors

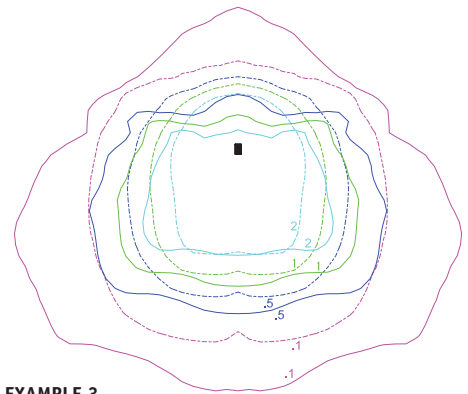
The diagram above illustrates how segmented reflectors redirect light where it is needed in comparison to hydroformed optics.

The use of segmented reflectors:

- Reduces the hot spot
- Enhances overall visual acuity
- Improves lumen distribution and uniformity

Depending on certain criteria, it is even possible to:

- Reduce the overall fixture count
- Save money during initial installation
- Consume less energy throughout the year



EXAMPLE 3

--- HYDROFORMED — CIMARRON LED

LED – Cimarron

The diagram above illustrates the performance of the Type IV Cimarron LED. Note the absence of excessive lumens directly under the fixture.

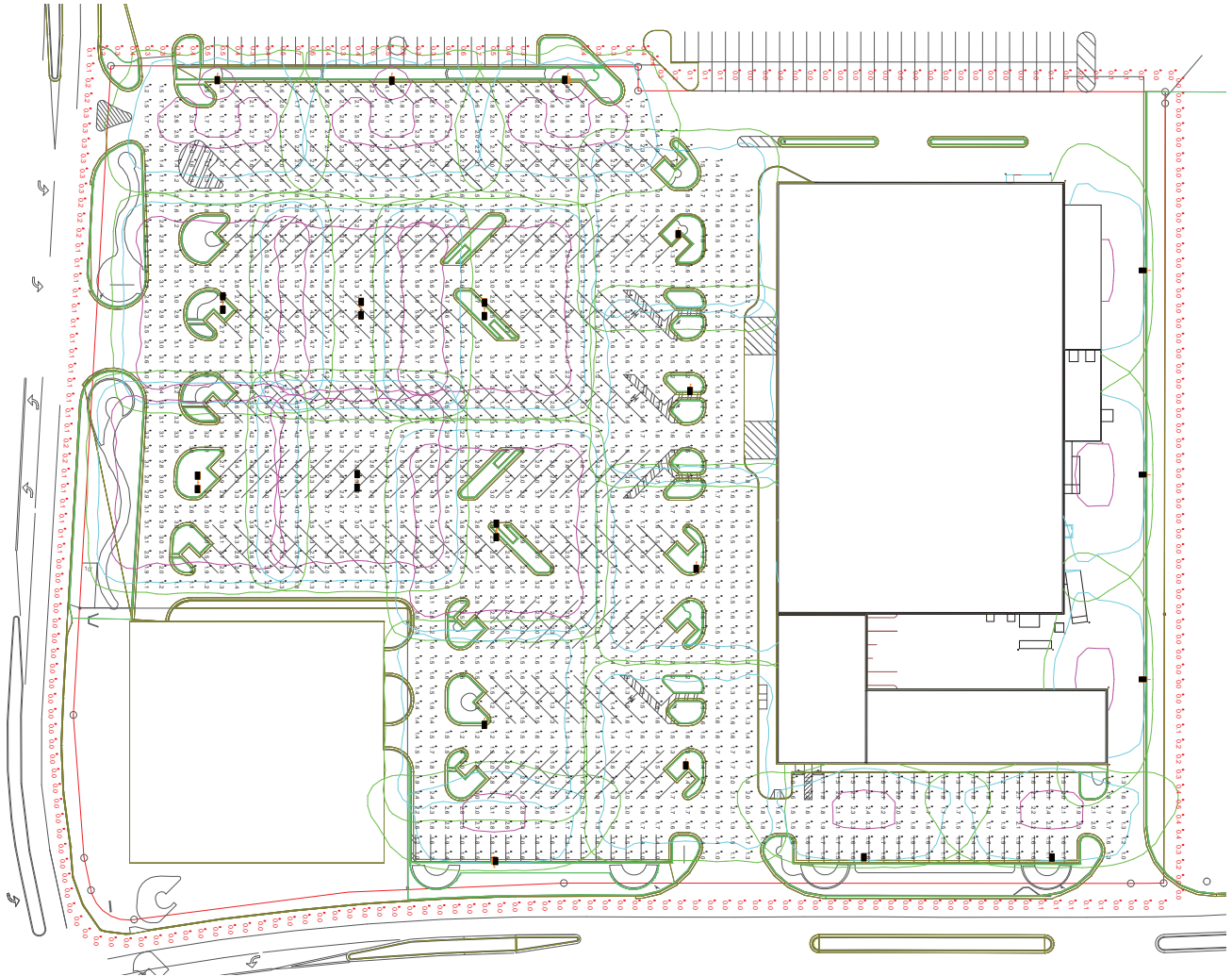
Each LED optical configuration is designed for maximum performance. The advantages of Cimarron LED include:

- Energy-efficiency
- Better uniformity
- Reduced pole and fixture count
- Long life
- Money savings during installation
- Virtually maintenance free (no re-lamping)

LED Design Guide

Large Parking Area Layout with Cimarron LED

LUMINAIRES: 90 LEDS, MOUNTED AT 34 FT.



ILLUMINATION DATA

Maximum: 7.1 fc

Minimum: 1.0 fc

Average: 2.39 fc

Max/Min: 7.1

Avg/Min: 2.39

Lamp Lumen Depreciation	.95
Luminaire Dirt Depreciation	.95
Light Loss Factor	.90

Cimarron LED cost analysis example

Quantity of luminaires/poles	26/20
Total installed cost*	\$93,450
Input watts per fixture	336
Annual hrs per fixture @ 11 hrs/day	4015
Total site annual KWH	35017
Annual energy costs @ \$.10 per KWH	\$3,407

- Annual energy savings of 72% plus reduced maintenance offset the initial investment
- Higher KWH rate will increase cost savings and accelerate payback
- The implementation of controls provides additional cost and energy savings

Note: Large parking area layout designed with 5100K CCT Cimarron LED fixtures

*Estimated fixture, pole, base, trenching and labor; Annual maintenance costs not included

For complete LED area/site information visit: www.spauldinglighting.com

**SPAULDING
LIGHTING**

CL1S

Cimarron LED Pedestrian Scale Series

RECTANGULAR LUMINAIRES



FEATURES

- Stylish vertically finned die-cast solid top housing and lower heat sink optimize heat dissipation
- Decorative integral arm houses two stage hinge mechanism
- Features quick-mount plate and quick-connect wiring for easy installation
- Drivers have greater than 90% power factor and less than 20% THD
- Optional 0-10VDC continuous dimming to 10%
- Automatic thermal self protection
- Surge protection standard
- -30 deg C to 40 deg C ambient operation
- Lektrocote TGIC polyester powder coat finish
- Stainless steel bezel mechanically compresses gasketed light engine for IP66 rating
- Nominal 3000K, 80 CRI; 4200K, 70 CRI; 5100K, 67 CRI
- Choice of 54 high brightness LED configurations with individual acrylic lenses aimed to produce IES type II, III, IV and V distributions
 - Backlight control option reduces spill light behind pole by 85%, doesn't change fixture appearance or EPA
- Features exclusive wiHUBB technology
 - Wireless system for On/Off and 0-10VDC continuous dimming control to 10% light output
 - Programmable autonomous operation
- DesignLights Consortium qualified
- Listed to UL1598 and CSA C22.2#250.0 24 for wet locations
- New turtle friendly Amber available
- IES Progress Award Winner – 2013

ORDERING INFORMATION

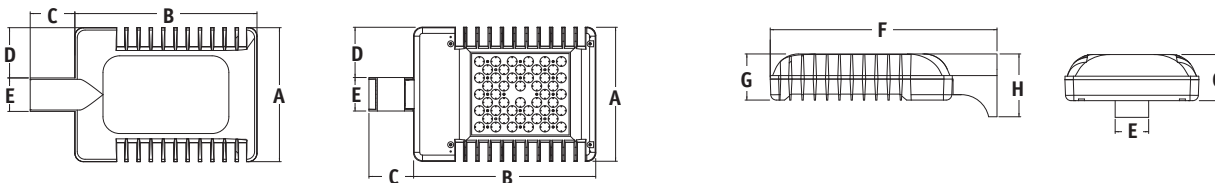
CL1S - A - [] - [] - [] - [] - [] - []

SERIES	NO. OF LEDS	VOLTAGE	CCT	DRIVE CURRENT	OPTIONS
CL1S Cimarron LED Pedestrian Scale	16L 16 High brightness LEDs 32L 32 High brightness LEDs 48L 48 High brightness LEDs	U ³ Universal 120V-277V, 50/60 Hz 1 ¹ 120V 2 ¹ 208V 3 ¹ 240V 4 ¹ 277V 5 480V, 60 Hz F 347V, 60 Hz E ⁴ 220V, 50 Hz	3K 3000K, 80 CRI 4K 4200K, 70 CRI 5K 5100K, 67 CRI AM ^{6,9} Amber (590 μm available for "Turtle Friendly"/observatory applications (consult factory))	Leave blank for 700mA (standard) 035 350mA Amber (590 μm available for "Turtle Friendly"/observatory applications (consult factory))	BC ⁵ Backlight control CD ^{2,7} Continuous dimming F(X) ^{3,4} Fusing (replace X with voltage: 1-120V, 2-208V, 3-240V, 4-277V, 5-480V, 6-347V) RPA3 3" Round pole adapter RPA4 4" Round pole adapter TB Terminal block WB Wall bracket WHB White LED bezel PR(X) ² NEMA Photocell receptacle (replace X with voltage: U = 120-277, 5 = 480, 6 = 347) WIH ^{2,8} In-fixture wireless control module
MOUNTING					
A 4" straight arm attached to housing complete with quick-mount plate					
DISTRIBUTION					
2 Type II 3 Type III 4 Type IV 5S Type V Short 5M Type V Medium 5W Type V Wide 2L Type II rotated left 3L Type II rotated left 4L Type IV rotated left 2R Type II rotated right 3R Type III rotated right 4R Type IV rotated right					
COLOR					
DB Dark Bronze BL Black WH White GR Gray PS Platinum Silver RD Red (premium color) FG Forest Green (premium color) CC Custom Color					
MOTION CONTROL OPTIONS					
SCO No light output when no motion detected / On/Off control SCP High/low control – user programmable settings of 70, 60, 50, 20% of power; Factory default is 50%					

ACCESSORIES SEE PAGE: 157










- Notes: 1 - Select only when using voltage specific options F, WIH
 2 - WIH cannot be combined CD or PR(X) options
 3 - Fuse option not available with U voltage
 4 - Select F3 fusing option for 220V
 5 - Not recommended for Type 5S, 5M or 5W
 6 - 350mA required with amber CCT
 7 - Dimming leads accessible for connection to third party dimming systems
 8 - Available with 120V, 277V, 347V or 480V
 9 - Amber option only available in 48L configuration

DIMENSIONS



	A	B	C	D	E	F	G	H	Weight
CL1S	12"	16.312"	4"	4.5"	3"	20.312"	4.13"	4.13"	19 lbs.
	305 mm	414 mm	102 mm	114 mm	76 mm	515 mm	105 mm	105 mm	8.62 kg

PERFORMANCE INFORMATION

Catalog Number	Equivalency		Delivered Lumens						System Watts		Lumens Per Watt	CCT	Drivers/Current
	MH	HPS	Type 2	Type 3	Type 4	Type 5M	Type 5S	Type 5W	120V-277V	347V-480V			
 CL1S-16L-3K	70w	50w	2,438	2,456	2,486	2,737	2,761	2,725	39	39	71	3000K	1@700mA
 CL1S-32L-3K	100w	70w	4,788	4,823	4,881	5,375	5,422	4,918	76	76	71	3000K	2@700mA
 CL1S-48L-3K	150w	100w	7,236	7,288	7,377	8,123	8,193	9,662	111	111	72	3000K	3@700mA
 CL1S-16L-4K	100w	70w	3,077	3,099	3,136	3,454	3,484	3,160	39	39	89	4200K	1@700mA
 CL1S-32L-4K	150w	100w	6,042	6,085	6,159	6,782	6,841	6,206	76	76	90	4200K	2@700mA
 CL1S-48L-4K	175w	150w	9,131	9,593	9,309	10,250	10,339	9,379	111	111	93	4200K	3@700mA
 CL1S-16L-5K	100w	70w	3,053	3,075	3,113	3,731	3,457	3,166	39	39	96	5100K	1@700mA
 CL1S-32L-5K	150w	100w	6,527	6,574	6,654	7,327	7,391	6,704	76	76	96	5100K	2@700mA
 CL1S-48L-5K	175w	150w	9,864	9,935	10,056	11,073	11,169	10,132	111	111	101	5100K	3@700mA

QUICK MOUNT INSTALLATION

The Cimarron CL1S installation features:

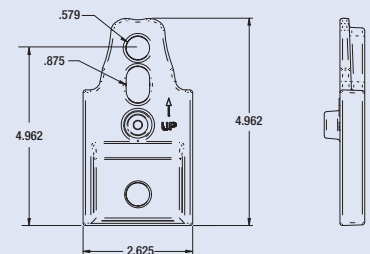
- 1** Quick-mount plate attaches to pole with two 1/2" bolts
- 2** 4 - slot hex 1/4" captured screws secure luminaire door to top
- 3** Safety-latch holds luminaire door to prevent "free swing" door
- 4** Two stage hinge mechanism built into integral arm
- 5** Quick-connect wiring for a simplified, hassle-free installation



For installation video scan this code or visit link below:



<http://www.youtube.com/user/hubbelloutdoorbrands>



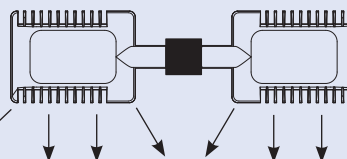
QUICK-MOUNT PLATE



FIXTURE MOUNTING – FACTORY ROTATED OPTICS

For proper light distribution and performance, rotated optics must be mounted as referenced in illustration. Consult instruction sheet included when mounting.

- 2L Type II rotated 90° left
- 3L Type III rotated 90° left
- 4L Type IV rotated 90° left



- 2R Type II rotated 90° right
- 3R Type III rotated 90° right
- 4R Type IV rotated 90° right

CL1 LED

Cimarron LED Series

RECTANGULAR LUMINAIRES



FEATURES

- Stylish vertically finned die-cast solid top housing and lower heat sink optimize heat dissipation;
- Isolated electrical compartment with integral heat sinking for cooler operation and longer driver life
- Drivers have greater than 90% power factor and less than 20% THD
- Optional continuous dimming to 10% or dual circuitry available
- Automatic thermal self protection
- Surge protection standard
- 60,000 hours life (L90 @ 40°C)*
- Shipped with upswept or straight arm for uniform look and ease of installation
- -30 deg C to 40 deg C ambient operation
- Lektrocote TGIC polyester powder coat finish
- 3000K, 80 CRI; 4200K, 70 CRI; 5100K, 67 CRI

- New stainless steel bezel (Dec 2013)
- Choice of 3 high brightness LED configurations with individual acrylic lenses aimed to produce IES type II, III, IV and V distributions
 - Backlight control option reduces spill light behind pole by 85%, doesn't change fixture appearance or EPA
- Features exclusive wiHUBB technology
 - Wireless system for On/Off and 0-10VDC continuous dimming control to 10% light output
 - Programmable autonomous operation
- DesignLights Consortium qualified
- IP65
- Listed to UL1598 and CSA C22.2#250.0-24 for wet locations
 - Increased lumen output with use of 1050mA driver (90L only)
- New turtle friendly Amber available

ORDERING INFORMATION



SERIES	NO. OF LEDs	VOLTAGE	CCT	DRIVE CURRENT	OPTIONS
CL1 Cimarron LED	90L 90 High brightness LEDs 60L 60 High brightness LEDs 30L 30 High brightness LEDs	U³ Universal 120V-277V, 50/60 Hz 1⁷ 120V 2⁷ 208V 3⁷ 240V 4⁷ 277V 5 480V, 60 Hz F 347V, 60 Hz E⁴ 220V, 50 Hz	3K 3000K, 80CRI 4K 4200K, 70CRI 5K 5100K, 67CRI AM Amber (590 μm available for "Turtle Friendly" applications (consult factory))	Leave blank for 700mA (standard) 035 350mA Amber (590 μm available for "Turtle Friendly"/observatory applications (consult factory)) 105 1050mA (use with 90L only for higher lumen output)	BC⁶ Backlight control BL^{1,2,5} Bi-level control CD² Continuous dimming WB Wall bracket RPA3 3" Round pole adapter RPA4 4" Round pole adapter RPA5 5" Round pole adapter RPA6 6" Round pole adapter F(X)^{3,4} Fusing (replace X with voltage: 1-120V, 2-208V, 3-240V, 4-277V, 5-480V, 6-347V) SSB⁹ Stainless steel LED bezel VG Vandal guard PR(X)⁵ NEMA Photo cell receptacle (replace X with voltage: U=120-277, 5=480, 6=347) WIH^{2,5,7} In-fixture wireless control module (120, 277, 347 & 480V)

MOUNTING

- A** Arm mount construction (6" straight rigid arm included & acceptable for 90° configurations)
- AD** Decorative arm mount const. (6" decorative upswept arm incl. & acceptable for 90° configurations)
- MAF** Mast arm fitter for mounting to standard 2 3/8" mast arm bracket, includes 6" straight rigid arm

Notes: 1 For BL option 90L and 60L; N/A 347V & 480V
 2 BL, CD and or WIH cannot be combined
 3 Fuse option not available with universal voltage
 4 Select F3 fusing option for 220V
 5 Photocell receptacle not available with BL or WIH options
 6 Recommended for Type II, III or Type IV distributions only
 7 Replace XX with color designation (see below)
 8 Direct pole mount only, not compatible with tenon adapters
 9 Bezel changed to stainless steel as standard Dec. 1 2013

DISTRIBUTION

- 2** Type II
- 3** Type III
- 4** Type IV
- 5S** Type V Short
- 5M** Type V Medium
- 5W** Type V Wide

COLOR

- DB** Dark Bronze
- BL** Black
- WH** White
- GR** Gray
- PS** Platinum Silver
- RD** Red (premium color)
- FG** Forest Green (premium color)
- CC** Custom Color

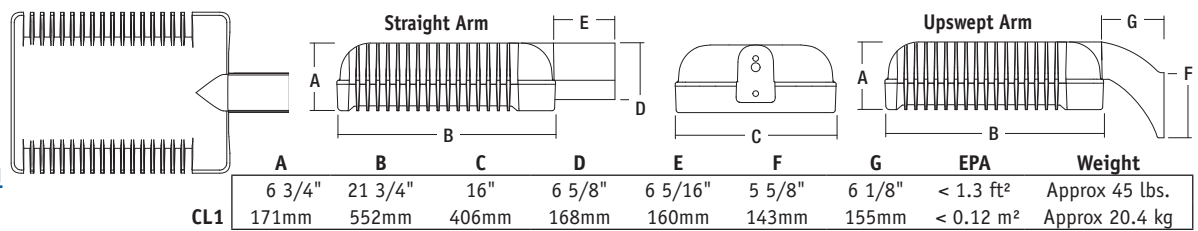
ENERGY DATA	
Power Factor	>.9
Total Harmonic Distortion	<20%

ACCESSORIES SEE PAGE: 157
 *Projected per IESNA TM-21-11
 NOTE: All poles to be drilled with #2 pattern

MOTION CONTROL OPTIONS

- SCO** No light output when no motion detected / On/Off control
- SCP** High/low control – user programmable settings of 70, 60, 50, 20% of power; Factory default is 50%

DIMENSIONS



CL1 LED

Cimarron LED Series

RECTANGULAR LUMINAIRES

PERFORMANCE INFORMATION

Series Number	Equivalency		Delivered Lumens						System Watts		Lumens Per Watt	CCT	Drivers/ Current
	MH	HPS	Type 2	Type 3	Type 4	Type 5M	Type 5S	Type 5W	120V-277V	347V-480V			
 CL1-30L-3K	175w	150w	4,606	4,668	4,686	4,858	4,902	4,601	70	87	70	3000K	2@700mA
 CL1-60L-3K	250w	150w	9,013	9,175	9,216	9,409	9,461	8,844	140	157	68	3000K	4@700mA
 CL1-90L-3K	320w	200w	13,360	13,601	13,575	13,923	14,004	13,902	210	227	66	3000K	6@700mA
 CL1-90L-3K-105	400w	250w	17,645	17,612	17,469	17,950	18,271	17,330	336	363	54	3000K	6@1050mA
 CL1-30L-4K	250w	250w	6,089	6,109	6,104	6,417	6,439	6,046	70	87	92	4200K	2@700mA
 CL1-60L-4K	320w	400w	11,583	11,468	12,036	12,038	12,581	11,807	140	157	95	4200K	4@700mA
 CL1-90L-4K	400w	400w	17,143	16,973	17,648	18,521	20,220	17,394	210	227	98	4200K	6@700mA
 CL1-90L-4K-105	750w	750w	23,896	23,912	24,199	24,583	25,357	23,128	336	363	80	4200K	6@1050mA
 CL1-30L-5K	250w	250w	6,384	6,164	6,641	7,108	6,999	6,619	70	87	101	5100K	2@700mA
 CL1-60L-5K	320w	400w	13,300	12,842	13,125	13,185	13,675	12,954	140	157	95	5100K	4@700mA
 CL1-90L-5K	400w	400w	19,684	19,006	19,202	20,592	19,610	18,973	210	227	98	5100K	6@700mA
 CL1-90L-5K-105	750w	750w	26,974	25,351	26,548	25,793	27,445	25,195	336	363	80	5100K	6@1050mA

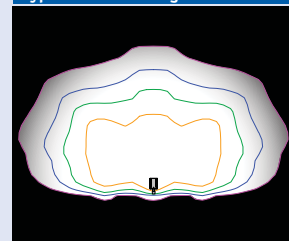
ECL1PSE

Backlight Control

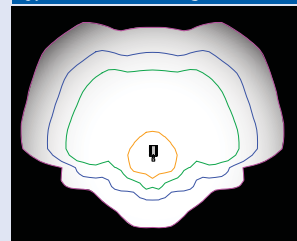
For those LED projects that require minimal light behind the pole, Spaulding Lighting has a solution – ECL1PSE Backlight Control. This unique system, designed specifically for LED lighting, will virtually eliminate the light spill behind the pole and is available on Cimarron LED CL1 and CL1S models. (See CL1 and CL1S page(s) for ordering information)

- Reduce light 85% behind the pole – industry leading performance
- No change to fixture appearance or EPA
- Achieves impressive Backlight-Uplight-Glare (BUG) rating
- Neighbor-friendly lighting
- 2012 IES Progress Report Award winner

Type IV with Backlight Control



Type IV without Backlight Control



ORDERING INFORMATION – SEE CIMARRON CL1 AND CL1S ORDERING OPTIONS



OPTIONS

BC Backlight control

PT

Peachtree

POST TOPS



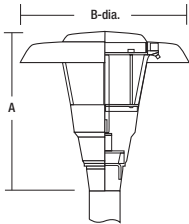
- Spun aluminum hood, hinges up for relamping
- Cast aluminum base and slipfitter with steel rods to secure lens and hood
- Borosilicate glass refractors provide Type III or V round light patterns; Polycarbonate refractor provides Type V round light pattern
- Cast aluminum fitters for 3" OD pole top or 2.375" OD tenon; secured by set screws in fitter
- 28 high brightness LEDs at 700mA delivers symmetric distribution at 64w, providing up to 4010 delivered lumens; 4200K and 5100K color temperatures
- 50,000 hour LED rating L70 at 25°C
- Universal voltage driver (120-277V) with +/- 10% tolerance, starting temperature rate -20°F
- Durable Lektrocote® TGIC thermoset polyester powder coat paint finish assures long life and maintenance-free service
- Listed to UL1598 for use in wet locations



ORDERING INFORMATION

SERIES	MOUNT	SOURCE/WATTAGE/CCT	LENS	COLOR	OPTIONS
PT Peachtree	2F Post-top mount (2 3/8" tenon) F45 Internal fitter (4 1/2" round pole)	28-LU-4K 28 LEDs, 64w symmetric distribution, 120-277V, 50/60Hz, 4200K, 70 CRI 28-LU-5K 28 LEDs, 64w symmetric distribution, 120-277V, 50/60Hz, 5100K, 67 CRI	VP Type 5 polycarbonate refractor VG Type 5 glass refractor (standard) 3G Type 3 glass refractor	DB Dark Bronze BL Black WH White GR Gray PS Platinum Silver RD Red (premium color) FG Forest Green (premium color) CC Custom Color (consult factory)	P(X) Photo button (replace X with voltage: 1-120, 2-208, 3-240, 4-277)

DIMENSIONS



	A	B	EPA	Weight
PT	24"	23 1/4"	2.4 ft ²	30 lbs.
	610 mm	591 mm	0.2 m ²	13.6 kg

PTR - Peachtree Retrofit module

ORDERING INFORMATION

- Retrofits existing Peachtree HID/HPS systems
- 28 high brightness LEDs at 700mA delivers symmetric distribution at 64w, providing up to 4010 delivered lumens; 4200K and 5100K color temperatures
- Long life 50,000 hour LED rating L70 at 25°C
- Universal voltage driver (120-277V) with +/- 10% tolerance, starting temperature rate -20°F

SERIES	SOURCE
PTR Peachtree LED Retrofit	28-LU-4K 28 LEDs, 64w symmetric distribution, 120-277V, 50/60Hz, 4200K 28-LU-5K 28 LEDs, 64w symmetric distribution, 120-277V, 50/60Hz, 5100K

- Cast aluminum ribbed frame and fitter assembly; Spun aluminum top cover with single screw access to re-lamp
- Polycarbonate refractor provides Type V round light pattern
- Cast aluminum fitters; internal mount for 4.5" OD pole, secured by internal cast expansion fitter; slipfitter mount for 2.375" OD tenon, secured by set screws in fitter
- LED – 4200K or 5100K color temperature
- 42 high brightness LEDs at 700mA deliver symmetric distribution at 110w, providing up to 1670 delivered lumens
- 50,000 hour LED rating L70 at 25°C
- Universal voltage driver (120-277V) with +/- 10% tolerance, starting temperature rated -20°F
- Durable Lektrocote® TGIC thermoset polyester powder coat paint finish assures long life and maintenance-free service
- Listed to UL1598 for use in wet locations

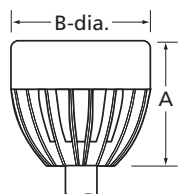


POST TOPS

ORDERING INFORMATION

SERIES	MOUNT	SOURCE/WATTAGE/CCT	LENS	COLOR	OPTIONS
VA Vandalia	2F Post-top mount (2 3/8" tenon) F45 Internal fitter (4 1/2" round pole)	42-LU-4K 42 LEDs 110w, 120-277V, 50/60hz, 4200K, 70 CRI 42-LU-5K 42 LEDs 110w, 120-277V, 50/60hz, 5100K, 67 CRI	VP Type 5 polycarbonate refractor IIP Type 2 polycarbonate refractor	DB Dark Bronze BL Black WH White GR Gray PS Platinum Silver RD Red (premium color) FG Forest Green (premium color) CC Custom Color (consult factory)	P(X) Photo button (replace X with voltage: 1-120, 2-208, 3-240, 4-277)

DIMENSIONS



	A	B	EPA	Weight
VA	18"	20"	2.8 ft ²	47 lbs.
	457 mm	508 mm	0.3 m ²	21.3 kg

Tempe Bollards

BOLLARDS



TEMPE ROUND

TEMPE SQUARE

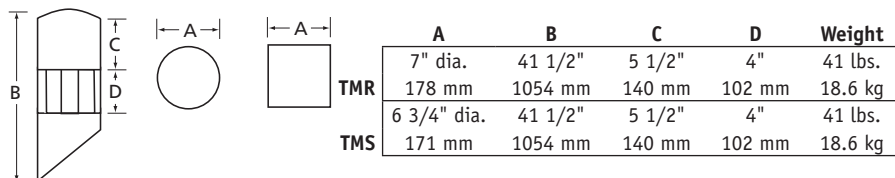
- Rotatable LED assembly adjustment for ideal placement and aiming of asymmetric light pattern
- 24 high brightness LEDs at 500mA deliver symmetric distribution at 46w
- 12 high brightness LEDs at 700mA deliver asymmetric distribution at 30w
- Available in two different color correlated temperatures (3500K and 5100K)
- 50,000 hour L70 rated at 25°C
- Extruded aluminum housing with single screw access for top relamping; Decorative cast top with tamper resistant hardware
- Sealed one-piece, clear acrylic lens
- Durable Lektrocote® TGIC thermoset polyester powder coat paint finish assures long life and maintenance-free service
- Concealed, galvanized steel anchor base; Four 1/2" x 10" anchor bolts on 4" diameter bolt circle
- Listed to UL1598 for use in wet locations
- 5 year limited system warranty

ORDERING INFORMATION

SERIES	SOURCE/WATTAGE/LED	COLOR	OPTIONS
TMR Tempe Round	12-LU-3K 12 LEDs, 30w, asymmetric distribution, 3500K, 120-277V, 50/60 Hz	DB Dark Bronze	F(X) Fusing (replace X with voltage: 1-120V, 2-208V, 3-240V, 4-277V)
TMS Tempe Square	12-LU-5K 12 LEDs, 30w, asymmetric distribution, 5000K, 120-277V, 50/60 Hz	BL Black	P(X) Photo button (replace X with voltage: 1-120V, 2-208V, 3-240V, 4-277V)
	24-LU-3K 24 LEDs, 46w, symmetric distribution, 3500K, 120-277V, 50/60 Hz	WH White	24 24" luminaire height
	24-LU-5K 24 LEDs, 46w, symmetric distribution, 5000K, 120-277V, 50/60 Hz	GR Gray	30 30" luminaire height
		PS Platinum Silver	36 36" luminaire height
		RD Red (premium color)	CD Continuous dimming
		FG Forest Green (premium color)	PAB Pre-ship anchor bolts
		CC Custom Color (consult factory)	

Series Number	Equivalency			Delivered Lumens	System Watts	Lumens Per Watt	Distribution	CCT	Voltage	Drivers/Current
	MH	HPS	CFL							
57% SAVINGS! TMR-12LU-3K	70w	70w	42w	1,080	30	36	Asymmetric	4200K	120-277V	1@700mA
57% SAVINGS! TMR-12LU-5K	70w	70w	42w	1,543	30	51	Asymmetric	5100K	120-277V	1@700mA
54% SAVINGS! TMR-24LU-3K	100w	100w	42w	1,720	46	37	Symmetric	4200K	120-277V	2@520mA
54% SAVINGS! TMR-24LU-5K	100w	100w	42w	2,622	46	51	Symmetric	5100K	120-277V	2@520mA
57% SAVINGS! TMS-12LU-3K	70w	70w	42w	1,010	30	35	Asymmetric	4200K	120-277V	1@700mA
57% SAVINGS! TMS-12LU-5K	70w	70w	42w	1,093	30	36	Asymmetric	5100K	120-277V	1@700mA
54% SAVINGS! TMS-24LU-3K	100w	100w	42w	1,644	46	36	Symmetric	4200K	120-277V	2@520mA
54% SAVINGS! TMS-24LU-5K	100w	100w	42w	1,947	46	42	Symmetric	5100K	120-277V	2@520mA

DIMENSIONS



Fresno Bollards

- Rotatable LED assembly adjustment for ideal placement and aiming of asymmetric light pattern
- 24 high brightness LEDs at 500mA deliver symmetric distribution at 46w
- 12 high brightness LEDs at 700mA deliver asymmetric distribution at 30w
- Available in two different color correlated temperatures (3500K and 5100K)
- 50,000 hour L70 rated at 25°C
- Extruded aluminum housing with single screw access for top relamping; Decorative cast top with tamper resistant hardware
- Sealed one-piece, clear acrylic lens
- Durable Lektrocote® TGIC thermoset polyester powder coat paint finish assures long life and maintenance-free service
- Concealed, galvanized steel anchor base; Four 1/2" x 10" anchor bolts on 4" diameter bolt circle
- Listed to UL1598 for use in wet locations
- 5 year limited system warranty



FRESNO SQUARE

FRESNO ROUND

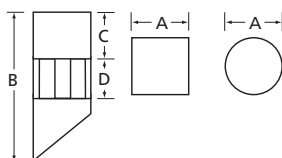
BOLLARDS

ORDERING INFORMATION

SERIES	SOURCE/WATTAGE/LED	COLOR	OPTIONS
FN1 Fresno Square	12-LU-3K 12 LEDs, 30w, asymmetric distribution, 3500K, 120-277V, 50/60 Hz	DB Dark Bronze	F(X) Fusing (replace X with voltage: 1-120V, 2-208V, 3-240V, 4-277V)
FN2 Fresno Round	12-LU-5K 12 LEDs, 30w, asymmetric distribution, 5000K, 120-277V, 50/60 Hz	BL Black	P(X) Photo button (replace X with voltage: 1-120V, 2-208V, 3-240V, 4-277V)
	24-LU-3K 24 LEDs, 46w, symmetric distribution, 3500K, 120-277V, 50/60 Hz	WH White	24 24" luminaire height
	24-LU-5K 24 LEDs, 46w, symmetric distribution, 5000K, 120-277V, 50/60 Hz	GR Gray	30 30" luminaire height
		PS Platinum Silver	36 36" luminaire height
		RD Red (premium color)	CD Continuous dimming
		FG Forest Green (premium color)	PAB Pre-ship anchor bolts
		CC Custom Color (consult factory)	

Series Number	Equivalency			Delivered Lumens	System Watts	Lumens Per Watt	Distribution	CCT	Voltage	Drivers/ Current
	MH	HPS	CFL							
57% SAVINGS! FN1-12LU-3K	70w	70w	42w	1,080	30	36	Asymmetric	4200K	120-277V	1@700mA
57% SAVINGS! FN1-12LU-5K	70w	70w	42w	1,543	30	51	Asymmetric	5100K	120-277V	1@700mA
54% SAVINGS! FN1-24LU-3K	100w	100w	42w	1,720	46	37	Symmetric	4200K	120-277V	2@520mA
54% SAVINGS! FN1-24LU-5K	100w	100w	42w	2,622	46	51	Symmetric	5100K	120-277V	2@520mA
54% SAVINGS! FN2-12LU-3K	70w	70w	42w	1,010	30	35	Asymmetric	4200K	120-277V	1@700mA
54% SAVINGS! FN2-12LU-5K	70w	70w	42w	1,093	30	36	Asymmetric	5100K	120-277V	1@700mA
57% SAVINGS! FN2-24LU-3K	100w	100w	42w	1,644	46	36	Symmetric	4200K	120-277V	2@520mA
57% SAVINGS! FN2-24LU-5K	100w	100w	42w	1,947	46	42	Symmetric	5100K	120-277V	2@520mA

DIMENSIONS

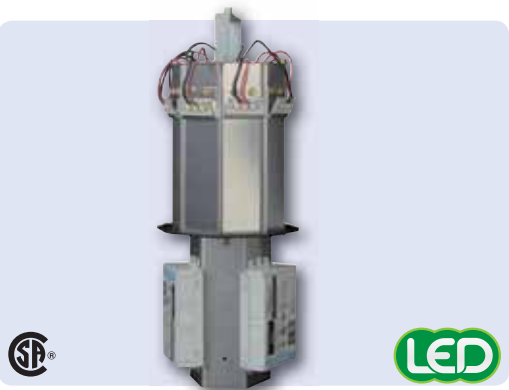


	A	B	C	D	Weight
FN1	6 3/4" sq. 171 mm	42" 1067 mm	6" 152 mm	4" 102 mm	41 lbs. 18.6 kg
FN2	7" dia. 178 mm	42" 1067 mm	6" 152 mm	4" 102 mm	41 lbs. 18.6 kg

BOLR/BOLS

LED Retrofit Kit

BOLLARDS



- LED retrofit kit fits Fresno, Modesto or Tempe bollards
- Easy installation process, retrofit existing HID or CFL systems in 10 minutes or less
- Features 12 or 24 high brightness, energy-efficient LEDs
- Available in two different color correlated temperatures (3500K and 5100K)
- 12 LED system: 700mA, asymmetric distribution, 31w
- 24 LED system: 500mA, symmetric distribution 46w
- 50,000 hr L70 rated at 25° C
- Optional continuous dimming to 10% (0-10V)



ORDERING INFORMATION

SERIES	LED PLATFORM	VOLTAGE	CCT	OPTIONS	ACCESSORIES
BOLR LED Retrofit Kit - Round	24L 24 LEDs, 46w, symmetric distribution, 120-277V, 50/60 Hz	U Universal 120 - 277V, 50/60 Hz	3K 3500K 5K 5100K	F1 Fusing - 120V F2 Fusing - 208V F3 Fusing - 240V F4 Fusing - 277V CD² Continuous dimming	BOLR-LENS¹ Round replacement lens BOLS-LENS¹ Square replacement lens
BOLS LED Retrofit Kit - Square	12L 12 LEDs, 31w, asymmetric distribution, 120-277V, 50/60 Hz	1 120V 2 208V 3 240V 4 277V			

1 Required for Modesto bollard
2 Dimming control by others

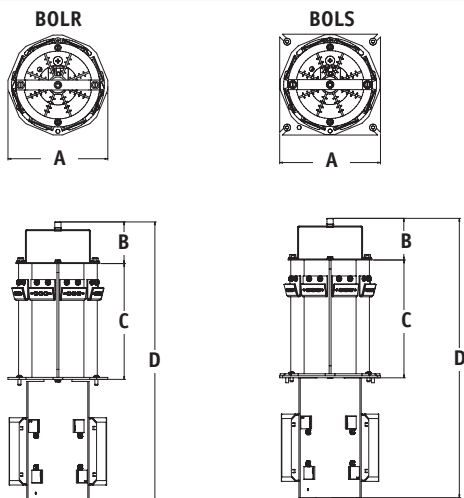


For installation video scan this code or visit link below:



<http://www.youtube.com/user/hubbelloutdoorbrands>

DIMENSIONS



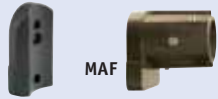
	A	B	C	D	Weight
BOLR	6.25" dia. 158 mm	2.61" 66 mm	7.25" 184 mm	17.48" 444 mm	5.35 lbs. 2.43 kg
BOLS	6.31" dia. 160 mm	2.61" 66 mm	7.38" 187 mm	17.48" 444 mm	5.35 lbs. 2.43 kg

Mounting Accessories

CIMARRON CL1 ACCESSORIES (ORDER SEPARATELY)

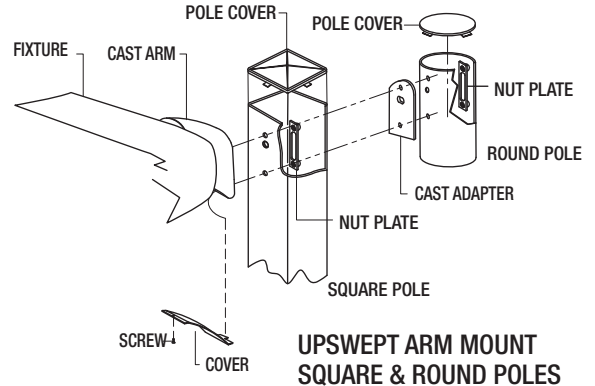
CR-RPAX-XX

MAF

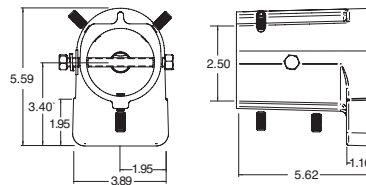
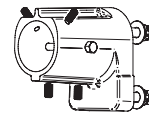


Catalog Number	Description
CR-RPA3-XX ¹	Round pole adapter for straight arm (3 ¹ / ₄ - 3 ³ / ₄ "
CR-RPA4-XX ¹	Round pole adapter for straight arm (3 ⁷ / ₈ - 4 ¹ / ₂ "
CR-RPA5-XX ¹	Round pole adapter for straight arm (5")
CR-RPA6-XX ¹	Round pole adapter for straight arm (6")
CRD-RPA2-XX ¹	Round pole adapter for upswept arm (2 ³ / ₄ - 3 ¹ / ₈ "
CRD-RPA3-XX ¹	Round pole adapter for upswept arm (3 ¹ / ₄ - 3 ³ / ₄ "
CRD-RPA4-XX ¹	Round pole adapter for upswept arm (3 ⁷ / ₈ - 4 ¹ / ₂ "
CRD-RPA5-XX ¹	Round pole adapter for upswept arm (5")
CRD-RPA6-XX ¹	Round pole adapter for upswept arm (6")
WB-CR-XX ¹	Wall bracket
TPLB-XX ¹	Twin parallel luminaire bracket
MAF-CL-XX ²	Horizontal mast arm fitter for 2 3/8" OD arm. Mounts to standard 6" arm (ordered with fixture)

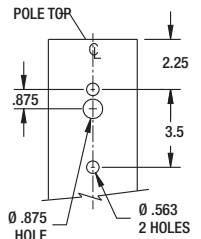
CIMARRON LED CL1 FIXTURE MOUNTING – SQUARE & ROUND



**UPSWEPT ARM MOUNT
SQUARE & ROUND POLES**



**MAF – HORIZONTAL MAST ARM FITTER
(CL1 ONLY)**



**#2 DRILL PATTERN FOR POLES
(CL1 AND CL1S)**

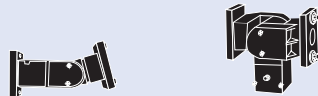
ADJUSTABLE MOUNTING ARMS

ARM-CL-K-S-XX

ARM-CL-TK-TA-XX

Adjusts in 4° increments

Adjusts in 4° increments

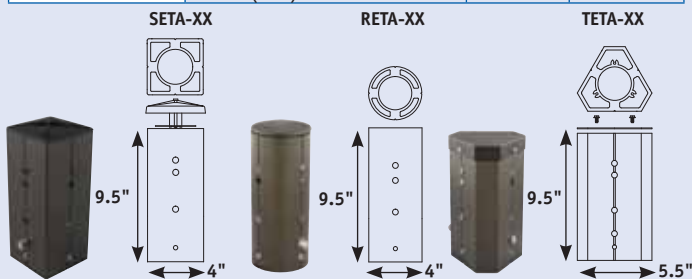


Catalog Number	Description	EPA ft ² (m ²)	Weight lbs. (kg)
ARM-CL-K-TA-XX ¹	2 3/8" OD tenon slipfitter for single fixture	—	5 (2.3)
ARM-CL-TK-TA-XX ¹	2 3/8" OD tenon slipfitter for twin fixture (180°)	—	7 (3.2)
ARM-CL-K-S-XX ¹	10" Adjustable arm	0.5 (0.05)	5.75 (2.6)

Replace XX with color designation: **DB** - Dark Bronze, **BL** - Black, **WH** - White, **GR** - Gray, **PS** - Platinum Silver, **RD** - Red (Premium Color), **FG** - Forest Green (Premium Color), **CC** - Custom Color (consult factory)

TENON TOP POLE BRACKET ACCESSORIES CL1 AND CL1S (ORDER SEPARATELY)

Catalog Number	Description	EPA ft ² (m ²)	Weight lbs. (kg)
SETA-XX ¹	4" Square pole top tenon adapter 2 3/8" OD slipfitter for max. four fixtures (90°)	0.4 ft ² (.04 m ²)	20 lbs. 9 kgs.
RETA-XX ¹	4" Round pole top tenon adapter 2 3/8" OD slipfitter for max. four fixtures (90°)	0.2 ft ² (.02 m ²)	20 lbs. 9 kgs.
TETA-XX ¹	Three sided pole top tenon adapter 2 3/8" OD slipfitter for max. four fixtures (120°)	0.2 ft ² (.02 m ²)	20 lbs. 9 kgs.



CIMARRON CL1S ACCESSORIES (ORDER SEPARATELY)

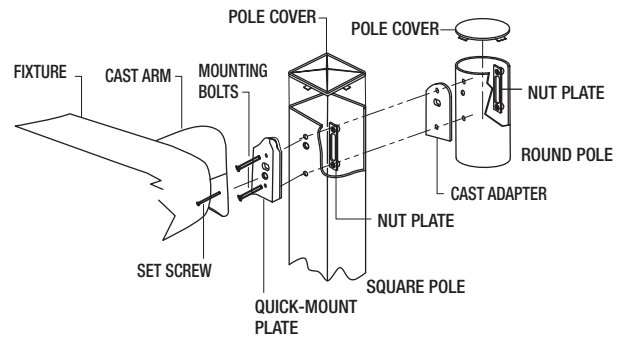
CL1S-RPAX-XX



Catalog Number	Description
CL1S-RPA3AAC-XX ¹	Round pole adapter for straight arm (3 ¹ / ₄ - 3 ³ / ₄ "
CL1S-RPA4AAC-XX ¹	Round pole adapter for straight arm (3 ⁷ / ₈ - 5")
WB-CR-XX ¹	Wall bracket

¹ Replace XX with color choice, eg.: **DB** for Dark Bronze

CIMARRON LED CL1S FIXTURE MOUNTING – SQUARE & ROUND

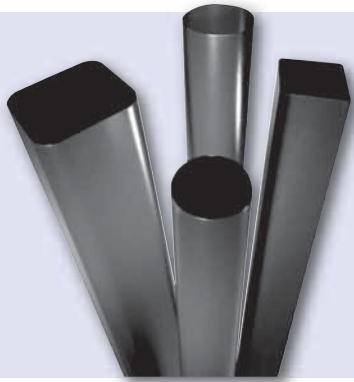


ADDITIONAL ACCESSORIES (ORDER SEPARATELY)

Catalog Number	Description
PTL-1	Photocontrol - twist-lock cell (120V)
PTL-8	Photocontrol - twist-lock cell (120-277V)
PTL-5	Photocontrol - twist-lock cell (480V)
PTL-6	Photocontrol - twist-lock cell (347V)
PSC	Shorting cap - twist-lock

Poles

POLES



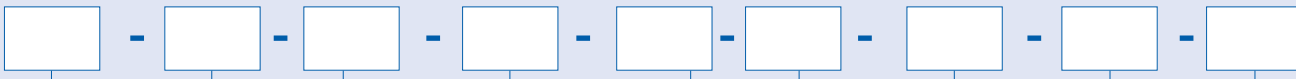
Spaulding's complete line of poles offers simple solutions for all your lighting needs from 8 to 60 feet in height. Pole applications include general floodlighting, sports lighting, auto dealerships commercial site lighting, and roadways. Mounting configurations include tenon top, side mount, pad mount, or open top models to match any luminaire style.

Constructed with exacting standards, both our aluminum and steel poles meet

strict guidelines for quality, strength, and finish. Protecting your investment is our Lektrocote paint or galvanized finish. Both guarantee your investment for years. From shaft cutting through painting, quality control inspections are conducted throughout a highly automated process.

Lastly, to ensure the finish is not damaged during shipment, all poles are protected with a durable yet easily removed material.

ORDERING INFORMATION



CROSS SECTION

- S Square
- R Round

STYLE

- S Straight
- T Tapered
- H Hinged (square steel only)

NOMINAL LENGTH

- 08 8 Feet
- 10 10 Feet
- 12 12 Feet
- 14 14 Feet
- 15 15 Feet
- 16 16 Feet
- 18 18 Feet
- 20 20 Feet
- 25 25 Feet
- 27 27 Feet
- 30 30 Feet
- 35 35 Feet
- 39¹ 39 Feet
- 40 40 Feet
- 45 45 Feet
- 50 50 Feet
- 60 60 Feet

NOMINAL SHAFT DIMENSIONS

- 30² 3 Inch
- 40 4 Inch
- 45² 4.5 Inch
- 50 5 Inch
- 55² 5.5 Inch
- 60 6 Inch
- 65³ 6.5 Inch
- 70³ 7 Inch
- 80³ 8 Inch
- 85³ 8.5 Inch
- 90³ 9 Inch
- 95³ 9.5 Inch
- 10³ 10 Inch
- 11³ 11 Inch
- 12³ 12 Inch

LUMINAIRE MOUNTING TYPE

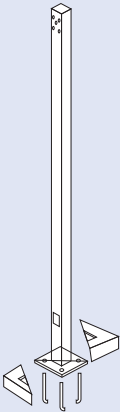
- AX⁴ Side - single
- BX⁴ Side - double at 90°
- CX⁴ Side - double at 180°
- DX⁴ Side - triple at 90°
- EX⁴ Side - triple at 120°
- FX⁴ Side - quad at 90°
- P1 Pad mount - spider type
- P2 Pad mount - yoke type
- P3 Pad mount - yoke type (Proformer XL only)
- TR⁹ Removable tenon (2 3/8 x 4 1/4)
- TA Tenon (2 3/8" OD)
- TB Tenon (2 7/8" OD)
- OT Open top (for post top luminaires)
- CD Concord top (use with Concord luminaires only)

OPTIONS

- Q55 Internal coating (Hubbell seal)
- Q18⁵ 15A GFCI receptacle and cover
- Q22⁵ Extra hand hole
- Q26⁵ 1/2" coupling
- Q27⁵ 3/4" coupling
- Q30⁵ 2" coupling
- Q32⁵ Mid-pole luminaire bracket
- Q41 Fast mode vibration damper
- Q42 Second mode vibration damper
- Q45⁶ Square base cover
- Q46⁷ Round base cover
- LAB Less anchor bolts
- CSA⁸ CSA Certified (consult factory)

MATERIAL

- S Steel
- A Aluminum



SHAFT THICKNESS

- 1 Steel - Standard (11 GA / .119)
- 7 Steel - Heavy (7 GA / .179)
- 3 Steel - Extra heavy (3 GA / .226 - .250)
- A Aluminum - Standard (.125)
- B Aluminum - Heavy (.188)
- C Aluminum - Extra heavy (.220 - .250)

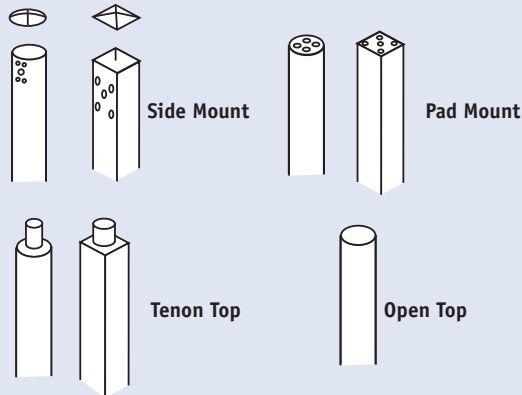
FINISH

- DB Dark Bronze
- BL Black
- WH White
- GR Gray
- PS Platinum Silver
- RD Red (premium color)
- FG Forest Green (premium color)
- CC Custom Color (consult factory)
- PR Primer Only
- GL Hot Dip Galvanized
- NA Natural Aluminum (aluminum poles only)

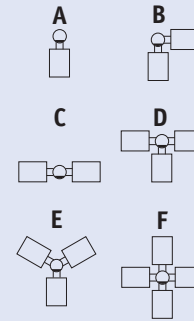
- 1 Round tapered steel poles only
- 2 Round Straight Poles only
- 3 Tapered Poles only
- 4 DRILL PATTERNS: Consult specific pole pages
- 5 Specify option location using logic found in pole introduction pages; The location of all options must start a minimum of six inches above the hand hole and be located one foot apart from one another; Consult factory for any exceptions
- 6 Optional base cover only needed when not provided as standard
- 7 Optional round base cover
- 8 SSS & RSS poles only
- 9 Removable tenon used in conjunction with side arm mounting on SSS series poles; First specify desired arm configuration followed by "TR" notation
Example: SSS-25-40-7-C6-TR-DB

⊗ This pole logic is for reference use only. The appropriate pole table should be used when sizing and ordering poles. Please visit spauldinglighting.com for complete pole information including EPA, wind maps and AASHTO ratings

LUMINAIRE MOUNTING

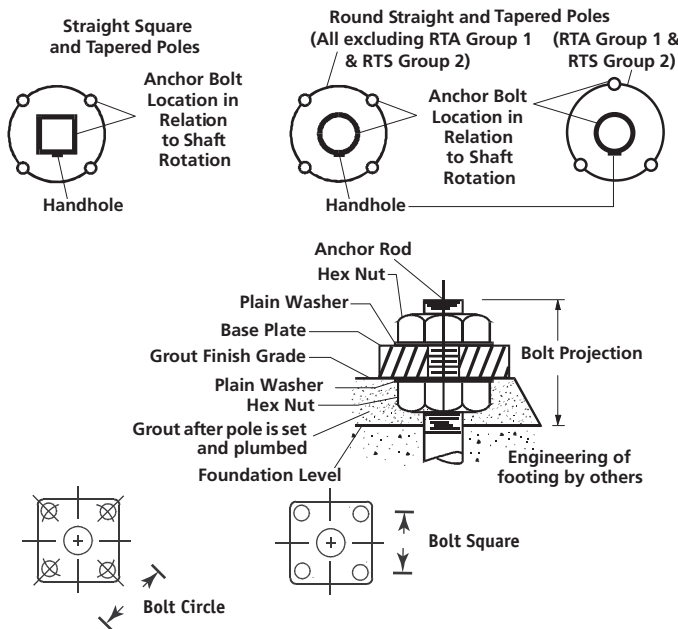


SIDE MOUNTING LOCATIONS



Denotes handhole location

ANCHOR BOLT DETAIL BASE DIAGRAM

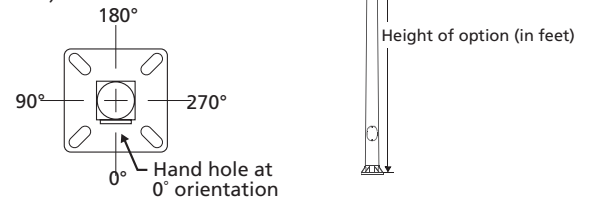


OPTION ORIENTATION

Follow the logic below when ordering location specific options.

For each option, include its orientation (in degrees) and its height (in feet). Example: Option Q26 should be ordered as:

SSS-20-40-1-A1-DB-Q26-0-15
(1/2" coupling on the hand hole/arm side of pole, 15 feet up from the pole base)



STANDARD ANCHOR BOLTS (Included with pole purchase)

TAB-15	1/2 x 15 x 3" (Non-galvanized) qty: 4
TAB-17-M38	3/4 x 17 x 3" (Galvanized) qty: 3
TAB-30-M38	3/4 x 30 x 3" (Galvanized) qty: 4
TAB-36-M38	1 x 36 x 4" (Galvanized) qty: 4
TAB-42-M38	1 1/4 x 42 x 6" (Galvanized) qty: 4

REPLACEMENT NUT/WASHER KIT

80033249902	3/4" TAB30 Set
80033259902	1" TAB36 Set
80036599903	1 1/4" TAB42 Set

Note Fabricated from high tensile steel, each anchor bolt has two nuts and two washers; Galvanized anchor bolts are hot dipped; (Galvanizing includes threaded portion plus six inches minimum); Anchor bolt template included with pole purchase

POLE BASE COVERS

Catalog Number	Description
Pole Base Covers for Square Poles	
SBC-4-XX ¹	10 1/2" Sq x 5" Deep (use on 4" sq poles)
SBC-4L-XX ¹	12 1/4" Sq x 5" Deep (use 4" sq poles)
SBC-5-XX ¹	12 1/4" Sq x 5" Deep (use on 5" sq poles)
SBC-6-XX ¹	12 1/4" Sq x 5" Deep (use on 6" sq poles)
Pole Base Covers for Round Poles	
SBC-3R-XX ¹	9" Sq x 5" Deep (use on 3" round poles)
SBC-4R-XX ¹	10 1/2" Sq x 5" Deep (use on 4" round poles)
SBC-45R-XX ¹	10 1/2" Sq x 5" Deep (use on 4 1/2" round poles)
SBC-5R-XX ¹	10 1/2" Sq x 5" Deep (use on 5" round poles)
SBC-6R-XX ¹	10 1/2" Sq x 5" Deep (use on 6" round poles)
RBC-4R-XX ¹	10.91" Dia. x 5" Deep (use on 4" round poles)
RBC-4RL-XX ¹	14.35" Dia. x 5" Deep (use on 4" round poles)
RBC-45R-XX ¹	10.91" Dia. x 5" Deep (use on 4 1/2" round poles)
RBC-45RL-XX ¹	14.35" Dia. x 5" Deep (use on 4 1/2" round poles)
RBC-5R-XX ¹	11.91" Dia. x 5" Deep (use on 5" round poles)
RBC-5RL-XX ¹	14.35" Dia. x 5" Deep (use on 5" round poles)
RBC-6R-XX ¹	11.91" Dia. x 5" Deep (use on 6" round poles)
RBC-6RL-XX ¹	14.35" Dia. x 5" Deep (use on 6" round poles)
RTS-2065-XX-Q45 ¹	13" Sq x 5" Deep (use on 6 1/2" round poles)
RTS-2570-XX-Q45 ¹	13" Sq x 5" Deep (use on 7" round poles)
RTS-3080-XX-Q45 ¹	13" Sq x 5" Deep (use on 8" round poles)
RTS-3585-XX-Q45 ¹	13" Sq x 5" Deep (use on 8 1/2" round poles)
RTS-3990-XX-Q45 ¹	13" Sq x 5" Deep (use on 9" round poles)

¹ Replace XX with color choice, eg.: DB for Dark Bronze



STERNER™

BRAND PROFILE

- Founded in 1961.

A leader in designing and manufacturing a wide selection of performance optical lighting systems, Sterner Lighting is recognized worldwide for the highest quality architectural lighting products.

PRODUCT OFFERING

Sterner Lighting has developed a wide range of specification grade extruded area/site, steel and aluminum poles, instrumentation-quality floodlighting, airport apron, and indoor sports/arena products for the architectural lighting market. Sterner Lighting is committed to providing innovative product and design solutions that are responsive to our customers' most specific needs. The combination of unique reflector systems with superior mechanical engineering allows Sterner to offer products that meet the most stringent of requirements.

PRECISION LED SITE LIGHTING



EXEC-Executive LED
page 161

EXEC RT21/RT25 - LED

Executive Series

PRECISION LED SITE LIGHTING

Extruded LED aluminum site/ area lighter with 8" straight extruded arm.

TOOL-LESS ACCESS

- Fully accessible by a front tool-less push button—an Executive trademark

PRIMARY ELECTRICAL DISCONNECT

- All power is terminated as soon as the door opens
- Fully serviceable without needing to shut down power to the entire circuit; No exposed live connections

ON THE DOOR SERVICEABILITY

- Both the LEDs and driver tray assemblies mount directly to the extruded doorframe

- Remove the entire door or each assembly without tools to service; Fully rotatable reflector hinges on door for easy re-lamping

FULLY SEALED OPTICS

- All optical systems are fully sealed from exterior contaminants to ensure great performance year round; Full cut-off

OPTIONAL ANODIZED FINISHES

- A finish that cannot peel, flake or fade, and is resistant to corrosive and harsh climates

WIRELESS ACCESSORY

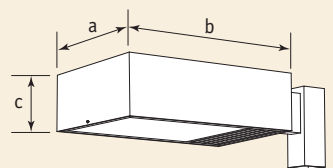
- Features exclusive wiHUBB technology - On/Off programmable accessory



ORDERING INFORMATION - ORDERING EXAMPLE: EXEC-RT21-30L-U-3K-120-C-10-N-N-BZ-STR



EXEC	HOUSING	STYLE/SIZE	VOLTAGE	QUANTITY/MOUNTING	COMPLETE FIXTURE OPTIONS ³	HOUSING FINISH ³	POLE SECTION ³
EXEC	EXEC	RT21 21" RT25 25"	U Universal 120V-277V, 50/60Hz 1 ¹ 120V 2 ¹ 208V 3 ¹ 240V 4 ¹ 277V 5 480V, 60Hz F 347V, 60Hz	10 28 29 32 ⁴ 39 49	N Not required WM Wall mount VF Vertical slip fitter (2 ³ / ₈ " O.D. tenon) HF Horizontal slip fitter (2 ³ / ₈ " O.D. tenon) EXI ² Extruded arm insert	POWDER BK Black BZ Dark Bronze WH White AL Natural Aluminum ANODIZED LBZ Light Bronze MBZ Medium Bronze DBZ Dark Bronze ABK Black AAL Natural Aluminum NS Non-standard (provide color chip)	STR Square Straight C30 3.0" dia Round C35 3.5" dia Round C40 4.0" dia Round C45 4.5" dia Round C50 5.0" dia Round C60 6.0" dia Round
		NUMBER OF LEDS 30L 30 High brightness LEDS 60L 60 High brightness LEDS		CCT 3K 3000K 4K 4200K 5K 5100K	POWER DOOR OPTIONS FL Fuse luminaire BC Backlight control		EXTRUDED ARM^{2,3} INSERT FINISH Use HOUSING FINISH ordering nomenclature



EXEC-RT21
EPA: 1.6 WT: 36 lbs.
Dimensions: a = 16" b = 21" c = 6.75"
Arm: 2" x 4" x 8"

EXEC-RT25
EPA: 2.2 WT: 64 lbs.
Dimensions: a = 20" b = 25" c = 8.75"
Arm: 2" x 4" x 8"

- Specify voltage (120, 208, 240, 277V) only when FL (Fuse) option selected - otherwise use "U" voltage (120-277V)
- Color for extruded arm brushed aluminum unless specified otherwise
- Not required for replacement power door
- 32 Mounting (3@120) available with round pole only

DISTRIBUTION	CONTROL OPTIONS
2 Type II 3 Type III 4 Type IV 5M Type V Medium 5S Type V Short 5W Type V Wide	SCO Motion control, no light output, On/Off control SCP High/low control - user programmable settings of 70, 60, 50, 20% of power; Factory default is 50% PR(X) ³ NEMA Photo cell receptacle (replace X with voltage: U=120-277, 5=480, 6=347) WIH In-fixture wireless control module (120, 277, 347 & 480V)

EXPD - EXEC Retrofit power door

ORDERING INFORMATION

STYLE/SIZE	NUMBER OF LEDS	VOLTAGE	CCT	DISTRIBUTION	POWER DOOR OPTIONS	CONTROL OPTIONS
EXPD RT21 21"	30L 30 High brightness LEDS	U Universal 120V-277V, 50/60Hz	3K 3000K 4K 4200K 5K 5100K	2 Type II 3 Type III 4 Type IV	FL Fuse luminaire BC Backlight control	SCO Motion control, no light output, On/Off control SCP High/low control - user programmable settings of 70, 60, 50, 20% of power; Factory default is 50%
EXPD RT25 25"	60L 60 High brightness LEDS	5 480V, 60Hz F 347V, 60Hz		5M Type V Medium 5S Type V Short 5W Type V Wide		WIH In-fixture wireless control module (120, 277, 347 & 480V)

DEVINE LIGHTING



DEVINETM LIGHTING

BRAND PROFILE

- Founded in 1933.

With on-building and surface mounted outdoor luminaires, Devine Lighting has been a mainstay in the specification and architectural community.

PRODUCT OFFERING

With a product offering featuring a variety of steplights, including energy efficient LED technology, induction parking garage luminaires as well as wall packs and pole mounted fixtures, Devine Lighting will meet your specification needs. The entire line of products strongly emphasizes durability, performance and quality.

Manufacturing capabilities are located in Christiansburg, VA in a modern 330,000 square foot manufacturing facility where implementation of lean manufacturing techniques maximizes efficiency, quality control, and customer service.

ARCHITECTURAL STEPLIGHTS



LMS 100
LED, Rugged Cast
Design
page 163



LMS 400
LED, Rugged
Architectural Cut-Off
page 163

LMS 100/400

Steplight

FEATURES

- 6w LED, 132 lumens, 6530K CCT, 120V, 350mA drive current
- Rugged cast aluminum housing and face
- Concrete pour and drywall designs (must specify)
- 3/4" conduit hubs in external wiring compartment
- Tempered, frosted glass for soft even distribution; Gasketed for wet locations
- Stainless-steel allen-head screws are standard
- Standard finishes include dark bronze, black, white and platinum; Brushed finish on optional cast bronze face; Custom colors available, consult factory
- Listed to UL1598 for use in wet locations



STEPLIGHTS

ORDERING INFORMATION

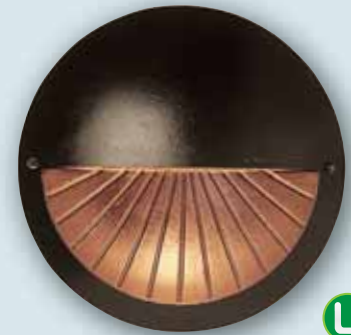
SERIES	WATTAGE/SOURCE	VOLTAGE	FINISH	OPTIONS
LMS100 LMS 100 Series	LMS 100 SERIES 5L ² 6w LED	120 120V	DB Dark Bronze BLK Black WHT White SAL Platinum	DW¹ Drywall CP¹ Concrete pour JBTW Junction box through wire

1 Must select drywall or concrete pour
2 120 V only, 132 lumens, 6530°K CCT

	A	B	Depth
LMS100	8 ⁷ / ₁₆ "	3 ⁷ / ₈ "	3"
	214 mm	98 mm	76 mm

FEATURES

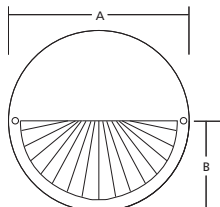
- 6w LED, 73 lumens, 6530K CCT, 120V, 350mA drive current
- Rugged Devine design cast aluminum construction
- Housing designs for concrete pour and drywall installations
- 3/4" wiring box hubs
- Stainless steel allen-head tamper-resistant hardware
- Units designed for use in wet locations
- Clear tempered glass lens is mounted for cut-off distribution; Decorative glow from lower face adds architectural element
- Standard finishes are dark bronze, black, white and platinum



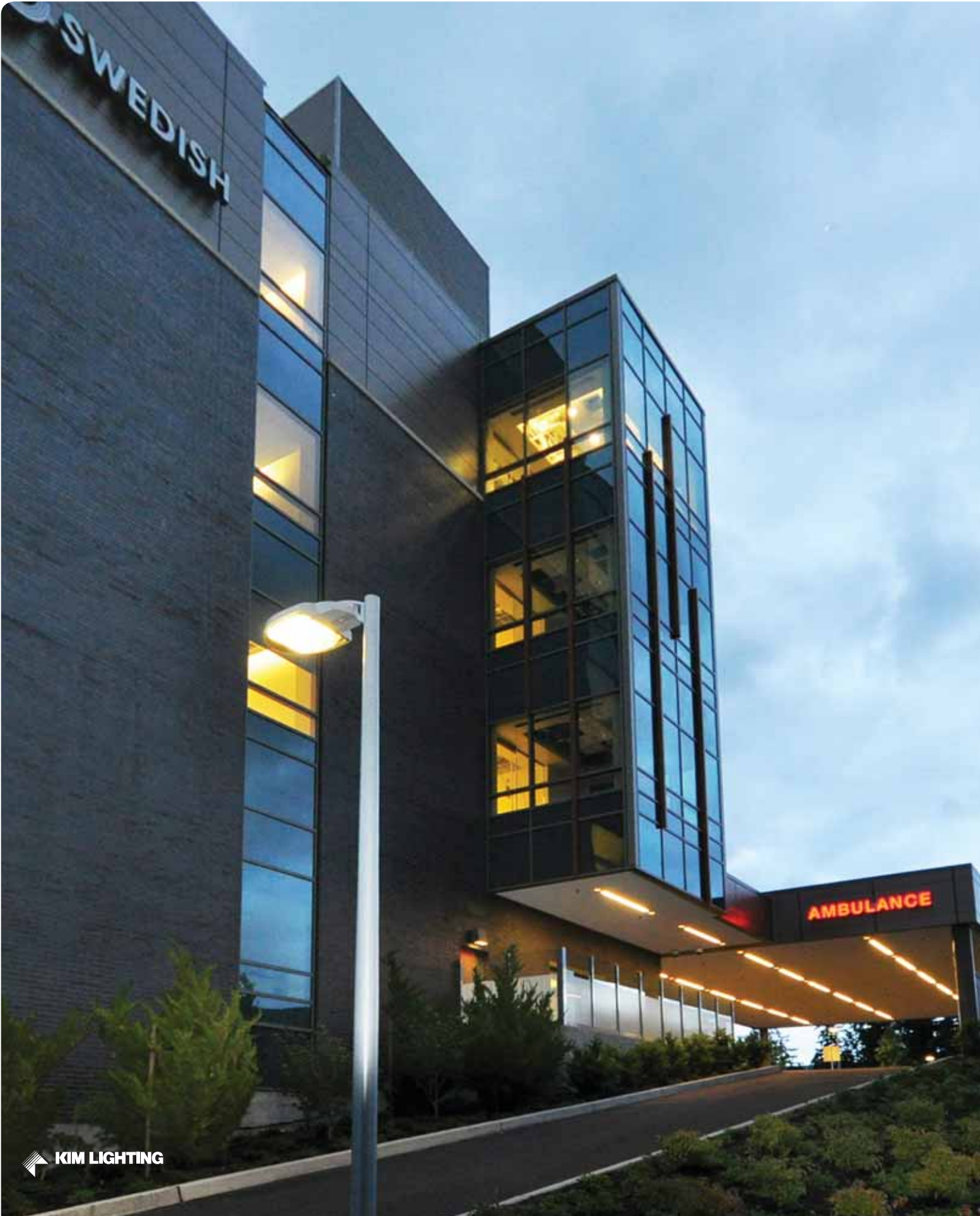
ORDERING INFORMATION

SERIES	WATTAGE/SOURCE	VOLTAGE	FINISH	OPTIONS
LMS400 LMS 400 Series	LMS 400 SERIES 5L ² 6w LED	120 120V	DB Dark Bronze BLK Black WHT White SAL Platinum	DW¹ Drywall CP¹ Concrete pour

1 Must select drywall or concrete pour
2 120V only, 73 lumens, 6530K CCT



	A	B	Depth
LMS400	7 ¹ / ₄ "	3 ⁵ / ₈ "	4"
	184 mm	92 mm	102 mm





BRAND PROFILE

- Founded in 1934.
- A leading designer and manufacturer of quality, architecturally relevant, high-performance outdoor architectural and landscape lighting products.
- Leading the industry in the development of outdoor, high performance LED products.
- Patented PicoPrism™ optics.

PRODUCT OFFERING

Site, roadway, pedestrian, low-level, landscape and building-mounted solutions for contemporary or traditional commercial, industrial and institutional applications.







SITE / ROADWAY

ALT	Altitude™	168
WP9	WARP9®	169
AR/SAR	The Archetype®	170
SRS1	Solitaire®	171
BNS1/BNM	Bounce®/MiniBounce	172
RA	Era®	173
AE/BE	Era® Acorn/Era® Bell.....	174
LE	Era® Lantern	175
CC/CCS	Curvilinear	176
MX	Matrix	178
SET/ET	The Entablature®	179
STS/STL	Structural	180
SOLAR	Solar Powered Lighting	181

PARKING STRUCTURE

PGL7	LED Parking Garage Luminaires	182
------	-------------------------------------	-----

ARCHITECTURAL FLOODLIGHTS

CFL	Compact Floodlights	183
-----	---------------------------	-----

WALL MOUNTED

WF	Wall Forms®	184
SW	Site Wallforms®	185
WD	Wall Director®	186

LOW LEVEL

GEM	GEM® Bollard	187
BNB	Bounce Bollard	188
LE	Era® Lantern Bollard	189
VRB/VSB	Vandal Resistant Bollards	190
CB	Compact Bollard	191
SL	Site Lightforms	192

IN-GRADE

LTV	Lightvault® 8	193
-----	---------------------	-----

LANDSCAPE

12V/120V	Landscape.....	199
----------	----------------	-----

ALTITUDE™

ALT60, ALT96, ALT120, ALT180, ALT240, ALT300 LED Luminaire

SITE / ROADWAY



FEATURES

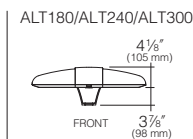
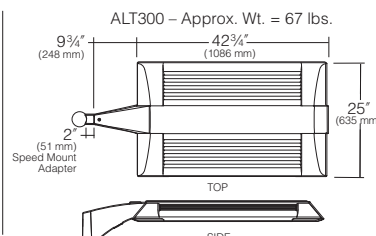
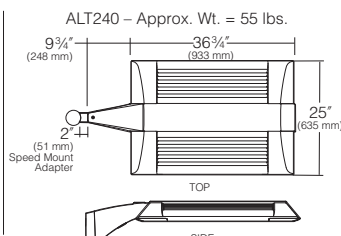
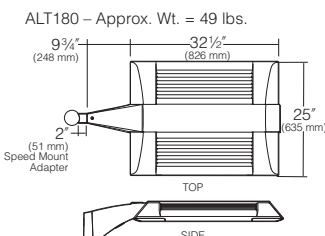
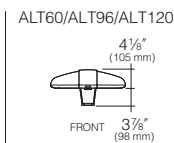
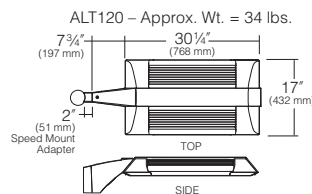
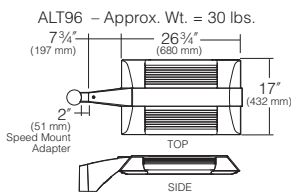
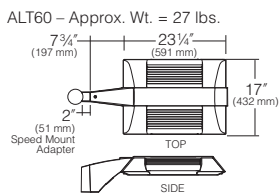
- The ultimate in LED luminaire design featuring innovative engineering, thermal management and unique patented¹ PicoPrism™ optics
- Proportional and scalable aesthetic housing, available in six sizes to cover more environments than ever before
- WiHUBB features on/off/variable and step dimming control, SNAP protocol mesh network, AES-128 encryption detection, occupancy sensor interface and intuitive, user-friendly software



ORDERING INFORMATION (Example)

1SA	ALT3P35	120L5K277	WH	SF/A26	PRA20-4188SA/WH	—																																																																																																																																				
MOUNTING		ELECTRICAL MODULE		FIXTURE OPTIONS		POLE																																																																																																																																				
<table border="1"> <thead> <tr> <th></th> <th>EPA</th> <th>ALT60</th> <th>ALT96</th> <th>ALT120</th> </tr> </thead> <tbody> <tr> <td>1SA</td> <td>1 Arm Side Mt.</td> <td>0.58</td> <td>0.64</td> <td>0.72</td> </tr> <tr> <td>2SB</td> <td>2 Arm Side Mt.</td> <td>1.17</td> <td>1.28</td> <td>1.44</td> </tr> <tr> <td>2SL</td> <td>2 Arm Side Mt.</td> <td>0.91</td> <td>0.97</td> <td>1.05</td> </tr> <tr> <td>3ST</td> <td>3 Arm Side Mt.</td> <td>1.50</td> <td>1.61</td> <td>1.77</td> </tr> <tr> <td>3SY*</td> <td>3 Arm Side Mt.</td> <td>1.50</td> <td>1.61</td> <td>1.77</td> </tr> <tr> <td>4SC</td> <td>4 Arm Side Mt.</td> <td>1.66</td> <td>1.78</td> <td>1.93</td> </tr> <tr> <td>1W</td> <td>Single Wall Mt.</td> <td>n/a</td> <td>n/a</td> <td>n/a</td> </tr> </tbody> </table>			EPA	ALT60	ALT96	ALT120	1SA	1 Arm Side Mt.	0.58	0.64	0.72	2SB	2 Arm Side Mt.	1.17	1.28	1.44	2SL	2 Arm Side Mt.	0.91	0.97	1.05	3ST	3 Arm Side Mt.	1.50	1.61	1.77	3SY*	3 Arm Side Mt.	1.50	1.61	1.77	4SC	4 Arm Side Mt.	1.66	1.78	1.93	1W	Single Wall Mt.	n/a	n/a	n/a	<table border="1"> <thead> <tr> <th>Source</th> <th>Color Temperature³</th> <th colspan="2">Voltages</th> </tr> </thead> <tbody> <tr> <td>60L 60 LEDs</td> <td>2K 580nm⁴</td> <td>120</td> <td>120V</td> </tr> <tr> <td>96L 96 LEDs</td> <td>3K 3000K</td> <td>208</td> <td>208V</td> </tr> <tr> <td>120L 120 LEDs</td> <td>4K 4200K</td> <td>240</td> <td>240V</td> </tr> <tr> <td>180L 180 LEDs</td> <td>5K 5100K</td> <td>277</td> <td>277V</td> </tr> <tr> <td>240L 240 LEDs</td> <td></td> <td>347</td> <td>347V⁵</td> </tr> <tr> <td>300L 300 LEDs²</td> <td></td> <td>480</td> <td>480V⁵</td> </tr> </tbody> </table>		Source	Color Temperature ³	Voltages		60L 60 LEDs	2K 580nm ⁴	120	120V	96L 96 LEDs	3K 3000K	208	208V	120L 120 LEDs	4K 4200K	240	240V	180L 180 LEDs	5K 5100K	277	277V	240L 240 LEDs		347	347V ⁵	300L 300 LEDs ²		480	480V ⁵	<table border="1"> <thead> <tr> <th colspan="2">FIXTURE OPTIONS</th> </tr> </thead> <tbody> <tr> <td>1SW</td> <td>Wall Mounting</td> </tr> <tr> <td>SF</td> <td>120 Volt Single Fuse</td> </tr> <tr> <td>DF</td> <td>208 Volt Double Fuse</td> </tr> <tr> <td>DF</td> <td>240 Volt Double Fuse</td> </tr> <tr> <td>SF</td> <td>277 Volt Single Fuse</td> </tr> <tr> <td>SF</td> <td>347 Volt Single Fuse</td> </tr> <tr> <td>DF</td> <td>480 Volt Double Fuse</td> </tr> <tr> <td>A26</td> <td>Photocell Receptacle</td> </tr> <tr> <td>FGL</td> <td>Flat Glass Lens</td> </tr> <tr> <td>FPL</td> <td>Flat Polycarbonate Lens⁶</td> </tr> <tr> <td>NFO</td> <td>Type III or IV Neighbor Friendly Optic</td> </tr> <tr> <td>WIH-IM</td> <td>In-Fixture wireless control module</td> </tr> </tbody> </table>		FIXTURE OPTIONS		1SW	Wall Mounting	SF	120 Volt Single Fuse	DF	208 Volt Double Fuse	DF	240 Volt Double Fuse	SF	277 Volt Single Fuse	SF	347 Volt Single Fuse	DF	480 Volt Double Fuse	A26	Photocell Receptacle	FGL	Flat Glass Lens	FPL	Flat Polycarbonate Lens ⁶	NFO	Type III or IV Neighbor Friendly Optic	WIH-IM	In-Fixture wireless control module	<table border="1"> <thead> <tr> <th colspan="2">POLE</th> </tr> </thead> <tbody> <tr> <td colspan="2">See Arms & Poles Selection Guide at www.kimlighting.com for pole EPA & ordering.</td> </tr> <tr> <th colspan="2">SLIPFITTER MOUNTING OPTIONS</th> </tr> <tr> <th colspan="2">HORIZONTAL</th> </tr> <tr> <td>HSF</td> <td>Horizontal Slipfitter Mount</td> </tr> <tr> <th colspan="2">VERTICAL</th> </tr> <tr> <td colspan="2">4" Round, Standard Fixtures</td> </tr> <tr> <td>VSF-1SA</td> <td>1 fixture side mt.</td> </tr> <tr> <td>VSF-2SB</td> <td>2 fixtures side mt. 180°</td> </tr> <tr> <td>VSF-2SL</td> <td>2 fixtures side mt. 90°</td> </tr> <tr> <td>VSF-3ST</td> <td>3 fixtures side mt. 90°</td> </tr> <tr> <td>VSF-3SY</td> <td>3 fixtures side mt. 120°⁵</td> </tr> <tr> <td>VSF-4SC</td> <td>4 fixtures side mt. 90°</td> </tr> <tr> <td colspan="2">4" Square, Standard Fixtures</td> </tr> <tr> <td>SVSF-1SA</td> <td>1 fixture side mt.</td> </tr> <tr> <td>SVSF-2SB</td> <td>2 fixtures side mt. 180°</td> </tr> <tr> <td>SVSF-2SL</td> <td>2 fixtures side mt. 90°</td> </tr> <tr> <td>SVSF-3ST</td> <td>3 fixtures side mt. 90°</td> </tr> <tr> <td>SVSF-4SC</td> <td>4 fixtures side mt. 90°</td> </tr> </tbody> </table>	POLE		See Arms & Poles Selection Guide at www.kimlighting.com for pole EPA & ordering.		SLIPFITTER MOUNTING OPTIONS		HORIZONTAL		HSF	Horizontal Slipfitter Mount	VERTICAL		4" Round, Standard Fixtures		VSF-1SA	1 fixture side mt.	VSF-2SB	2 fixtures side mt. 180°	VSF-2SL	2 fixtures side mt. 90°	VSF-3ST	3 fixtures side mt. 90°	VSF-3SY	3 fixtures side mt. 120° ⁵	VSF-4SC	4 fixtures side mt. 90°	4" Square, Standard Fixtures		SVSF-1SA	1 fixture side mt.	SVSF-2SB	2 fixtures side mt. 180°	SVSF-2SL	2 fixtures side mt. 90°	SVSF-3ST	3 fixtures side mt. 90°	SVSF-4SC	4 fixtures side mt. 90°
	EPA	ALT60	ALT96	ALT120																																																																																																																																						
1SA	1 Arm Side Mt.	0.58	0.64	0.72																																																																																																																																						
2SB	2 Arm Side Mt.	1.17	1.28	1.44																																																																																																																																						
2SL	2 Arm Side Mt.	0.91	0.97	1.05																																																																																																																																						
3ST	3 Arm Side Mt.	1.50	1.61	1.77																																																																																																																																						
3SY*	3 Arm Side Mt.	1.50	1.61	1.77																																																																																																																																						
4SC	4 Arm Side Mt.	1.66	1.78	1.93																																																																																																																																						
1W	Single Wall Mt.	n/a	n/a	n/a																																																																																																																																						
Source	Color Temperature ³	Voltages																																																																																																																																								
60L 60 LEDs	2K 580nm ⁴	120	120V																																																																																																																																							
96L 96 LEDs	3K 3000K	208	208V																																																																																																																																							
120L 120 LEDs	4K 4200K	240	240V																																																																																																																																							
180L 180 LEDs	5K 5100K	277	277V																																																																																																																																							
240L 240 LEDs		347	347V ⁵																																																																																																																																							
300L 300 LEDs ²		480	480V ⁵																																																																																																																																							
FIXTURE OPTIONS																																																																																																																																										
1SW	Wall Mounting																																																																																																																																									
SF	120 Volt Single Fuse																																																																																																																																									
DF	208 Volt Double Fuse																																																																																																																																									
DF	240 Volt Double Fuse																																																																																																																																									
SF	277 Volt Single Fuse																																																																																																																																									
SF	347 Volt Single Fuse																																																																																																																																									
DF	480 Volt Double Fuse																																																																																																																																									
A26	Photocell Receptacle																																																																																																																																									
FGL	Flat Glass Lens																																																																																																																																									
FPL	Flat Polycarbonate Lens ⁶																																																																																																																																									
NFO	Type III or IV Neighbor Friendly Optic																																																																																																																																									
WIH-IM	In-Fixture wireless control module																																																																																																																																									
POLE																																																																																																																																										
See Arms & Poles Selection Guide at www.kimlighting.com for pole EPA & ordering.																																																																																																																																										
SLIPFITTER MOUNTING OPTIONS																																																																																																																																										
HORIZONTAL																																																																																																																																										
HSF	Horizontal Slipfitter Mount																																																																																																																																									
VERTICAL																																																																																																																																										
4" Round, Standard Fixtures																																																																																																																																										
VSF-1SA	1 fixture side mt.																																																																																																																																									
VSF-2SB	2 fixtures side mt. 180°																																																																																																																																									
VSF-2SL	2 fixtures side mt. 90°																																																																																																																																									
VSF-3ST	3 fixtures side mt. 90°																																																																																																																																									
VSF-3SY	3 fixtures side mt. 120° ⁵																																																																																																																																									
VSF-4SC	4 fixtures side mt. 90°																																																																																																																																									
4" Square, Standard Fixtures																																																																																																																																										
SVSF-1SA	1 fixture side mt.																																																																																																																																									
SVSF-2SB	2 fixtures side mt. 180°																																																																																																																																									
SVSF-2SL	2 fixtures side mt. 90°																																																																																																																																									
SVSF-3ST	3 fixtures side mt. 90°																																																																																																																																									
SVSF-4SC	4 fixtures side mt. 90°																																																																																																																																									
FIXTURE		FIXTURE FINISH																																																																																																																																								
350 Milliamp		700 Milliamp		SG Stealth Gray																																																																																																																																						
ALT1P35 Type I		ALT1P70 Type I		BL Black																																																																																																																																						
ALT2P35 Type II		ALT2P70 Type II		DB Dark Bronze																																																																																																																																						
ALT3P35 Type III		ALT3P70 Type III		LG Light Gray																																																																																																																																						
ALT4P35 Type IV		ALT4P70 Type IV		PS Platinum Silver																																																																																																																																						
ALT5P35 Type V		ALT5P70 Type V		WH White																																																																																																																																						
ALTRP35 Type R, Right		ALTRP70 Type R, Right		CC Custom Color*																																																																																																																																						
ALTLP35 Type L, Left		ALTLP70 Type L, Left		*Consult representative																																																																																																																																						

¹ US Patent No. D674,965 S. Other patents pending.
² 300L available in 350mA only.
³ For custom optics and color temperature configurations, contact factory.
⁴ Turtle friendly
⁵ 347V & 480V currents may be supplied with step-down transformer.
⁶ Use only when vandalism is anticipated to be high. Required only for vandal protection in locations where fixtures can be reached by unauthorized persons.



WARP9™ with PicoPrism™

Small & Large Luminaire

FEATURES

- LED PicoPrism™ technology with up to 150% boost in lumen output
- Patented design, incorporating visual stealth technology
- Sealed optical chamber, IP-66 rated

Features exclusive wiHUBB technology

- Wireless system with a 0 - 10V dimming interface with a dimming range of 10 - 100%



WP9LP-LED

WP9SP-LED

NEW

SITE / ROADWAY

ORDERING INFORMATION (Example)

1SA

WP9S1P70

60L5K120

SG

SF/A-25

PRA12-5125SA/SG

—

MOUNTING	EPA		
	WP9SP	WP9LP	
1SA	1 Arm Side Mt.	0.52	0.95
2SB	2 Arm Side Mt.	1.04	1.9
2SL	2 Arm Side Mt.	0.82	1.47
3ST	3 Arm Side Mt.	1.3	2.5
3SY ¹	3 Arm Side Mt.	1.3	2.5
4SC	4 Arm Side Mt.	1.5	2.7
1W*	Single Wall Mt.	n/a	n/a

*Wall Mounting: A cast-aluminum mounting plate is mounted to the wall with four bolts (by others). Fixture and arm are mounted to the cast aluminum cover plate before attaching to the wall mounting plate.

NOTE: EPA is for Fixture only

FIXTURE

- WP9S1P70 Type I
- WP9S2P70 Type II
- WP9S3P70 Type III
- WP9S4P70 Type IV
- WP9S5P70 Type V
- WP9SRP70 Type R Right
- WP9SLP70 Type L Left
- WP9L1P70 Type I
- WP9L2P70 Type II
- WP9L3P70 Type III
- WP9L4P70 Type IV
- WP9LP70 Type V
- WP9LRP70 Type R Right
- WP9LLP70 Type L Left

FIXTURE FINISH

- BL Black
 - DB Dark Bronze
 - SG Stealth Gray
 - PS Platinum Silver
 - WH White
 - CC Custom Color*
- *Consult representative

FIXTURE OPTIONS

- 1W Wall Mounting
- SF 120 Volt Single Fuse
- DF 208 Volt Double Fuse
- DF 240 Volt Double Fuse
- SF 277 Volt Single Fuse
- SF 347 Volt Single Fuse
- DF 480 Volt Double Fuse
- A-25 Photocell Receptacle
- WIH-IM In-Fixture wireless control module
- NFO Neighbor Friendly Optic

POLE

See Arms & Poles Selection Guide at www.kimlighting.com for pole EPA & ordering.

SLIPFITTER MOUNTING OPTIONS

HORIZONTAL

HSF Horizontal Slipfitter Mount

VERTICAL

4" Round, Standard Fixtures

- VSF-1SA 1 fixture side mt.
- VSF-2SB 2 fixtures side mt. 180°
- VSF-2SL 2 fixtures side mt. 90°
- VSF-3ST 3 fixtures side mt. 90°
- VSF-3SY 3 fixtures side mt. 120°
- VSF-4SC 4 fixtures side mt. 90°

4" Square, Standard Fixtures

- SVSF-1SA 1 fixture side mt.
- SVSF-2SB 2 fixtures side mt. 180°
- SVSF-2SL 2 fixtures side mt. 90°
- SVSF-3ST 3 fixtures side mt. 90°
- SVSF-4SC 4 fixtures side mt. 90°

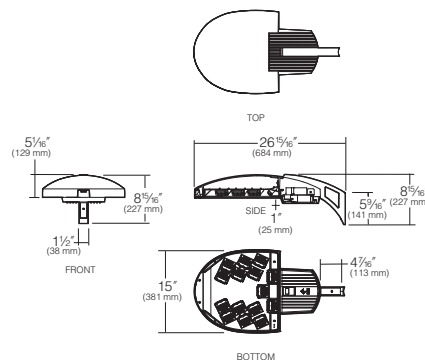
HID to LED Upgrade Kits available. Contact factory.

ELECTRICAL MODULE

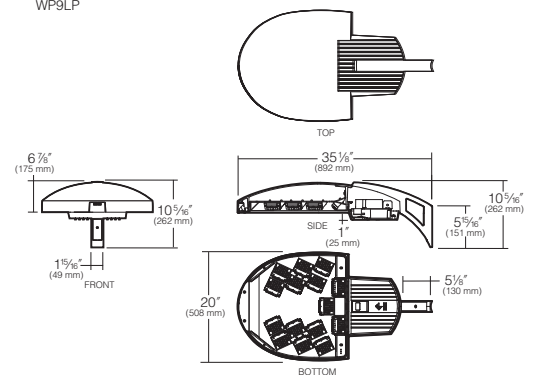
Source	Color Temperature	Voltages
60L 60 LEDs, 131W For WP9SP	2K 580nm580nm	120 120V
	3K 3000K	208 208V
120L 120 LEDs, 270W For WP9LP	4K 4200K	240 240V
	5K 5100K	277 277V
		347 347V
		480 480V

¹ 3Y only available on round slipfitter.

WP9SP



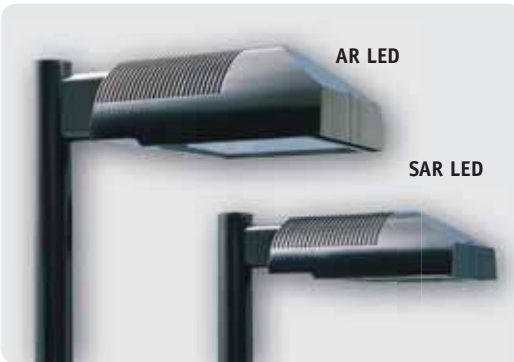
WP9LP



The Archetype®

SAR Small and AR Large Luminaire

SITE / ROADWAY



FEATURES

- Efficient, effective downward control of light with full uplight cutoff
- IES Type II, III, IV, V, and One-Way L or R distribution patterns
- Easy-access, tool-less latches for lower maintenance
- LED models incorporating patent pending LED MicroEmitter technology

Features exclusive wiHUBB technology

- Wireless system for 0-10VDC full range dimming control
- Programmable autonomous operation



ORDERING INFORMATION (Example)

MOUNTING		EPA	
		SAR LED	AR LED
1SA	1 Arm Side Mt.	0.7	1.2
2SB	2 Arm Side Mt.	1.4	2.4
2SL	2 Arm Side Mt.	1.2	2.0
3ST	3 Arm Side Mt.	1.9	3.2
3SY ¹	3 Arm Side Mt.	1.9	3.2
4SC	4 Arm Side Mt.	2.5	3.9
1W ²	Single Wall Mt.	n/a	n/a

NOTE: EPA is for Fixture only

FIXTURE

SAR2	Type II Full Cutoff
SAR3	Type III Full Cutoff
SAR4	Type IV Full Cutoff
SAR5	Type V Full Cutoff
SARR	Type R Full Cutoff
SARL	Type L Full Cutoff
AR2	Type II Full Cutoff
AR3	Type III Full Cutoff
AR4	Type IV Full Cutoff
AR5	Type V Full Cutoff
ARR	Type R Full Cutoff
ARL	Type L Full Cutoff

ELECTRICAL MODULE

	Source	Color Temperature	Voltages
60L	60 LEDs, 73W For SAR LED	2K 580nm	120 120V
		3K 3000K	208 208V
120L	120 LEDs, 140W For AR LED	4K 4200K	240 240V
		5K 5100K	277 277V
			347 347V ³
			480 480V ³

FIXTURE FINISH	
BL	Black
DB	Dark Bronze
LG	Light Gray
SG	Stealth Gray
PS	Platinum Silver
WH	White
CC	Custom Color*

*Consult representative

FIXTURE OPTIONS	
A-30	120 Volt photocell
A-30	120 Volt photocell
A-31	208 Volt photocell
A-32	240 Volt photocell
A-33	277 Volt photocell
A-34	480 Volt photocell
A-35	347 Volt Photocell
CGL	Convex Glass Lens
LS	Polycarbonate Lens
TL	Tamper Resistant Latch ⁴
AF	Air Filter
WIH-IM	In-Fixture wireless control module

POLE / POLE ARM	
See Arms & Poles Selection Guide at www.kimlighting.com for pole EPA & ordering.	

SLIPFITTER MOUNTING OPTIONS

VERTICAL	
4" Round, Standard Fixtures	
VSF-1SA	1 fixture side mt.
VSF-2SB	2 fixtures side mt. 180°
VSF-2SL	2 fixtures side mt. 90°
VSF-3ST	3 fixtures side mt. 90°
VSF-3SY	3 fixtures side mt. 120°
VSF-4SC	4 fixtures side mt. 90°
4" Square, Standard Fixtures	
SVSF-1SA	1 fixture side mt.
SVSF-2SB	2 fixtures side mt. 180°
SVSF-2SL	2 fixtures side mt. 90°
SVSF-3ST	3 fixtures side mt. 90°
SVSF-4SC	4 fixtures side mt. 90°
HORIZONTAL	
HSF for Pole Davit Arm	

¹ 3Y only available on round slipfitter.

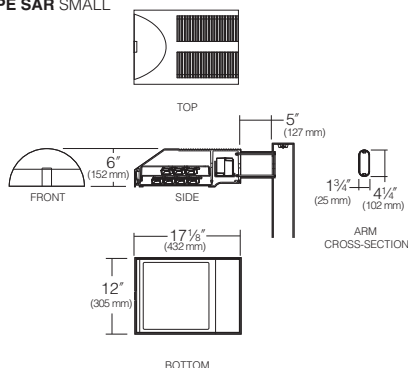
² Junction box in wall must provide adequate fixture support.

³ Due to current unavailability of 347V and 480V drivers, specification of these voltages may feature an integral step-down transformer.

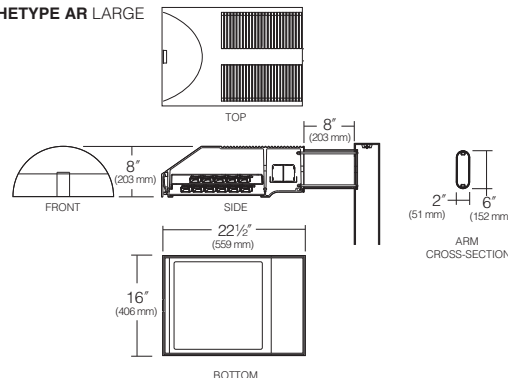
⁴ Required only for vandal protection in locations where fixtures can be reached by unauthorized persons.

HID to LED Upgrade Kits available. Contact factory.

THE ARCHETYPE SAR SMALL



THE ARCHETYPE AR LARGE



Solitaire

SRS1 Clear Acrylic Lens, Die-Cast Aluminum Top

FEATURES

- LED models incorporating patent pending LED MicroEmitter® technology
- Solitaire is a classic, yet relevant to current architecture styles
- IES Type II, III, IV, V, and One-Way L or R distribution patterns
- Sealed optical chamber, IP-66 rated

Features exclusive wiHUBB technology

- Wireless system for 0-10VDC full range dimming control
- Programmable autonomous operation



SRS1
LED



SITE / ROADWAY

ORDERING INFORMATION (Example)

FM			SRS1H3	60L5K120	DB	A-30	PRA12-4125FM/DB	
MOUNTING		EPA	FIXTURE		FIXTURE FINISH	FIXTURE OPTIONS		POLE
	FM	Flush Mnt. 4" O.D. Poles only	1.5	SRS1H1 Type I	BL Black	A-30	120 Volt photocell	See Arms & Poles Selection Guide at www.kimlighting.com for pole EPA & ordering.
	PT	Pole Tenon Mnt. 2" Pipe-size Tenon	1.5	SRS1H2 Type II	DB Dark Bronze	A-31	208 Volt photocell	
	2SB	Twin Mnt. 4" or 5" O.D. Poles only	4,25	SRS1H3 Type III	LG Light Gray	A-32	240 Volt photocell	
	1W	Single Wall Mt.	n/a	SRS1H4 Type IV	SG Stealth Gray	A-33	277 Volt photocell	
				SRS1H5 Type V	PS Platinum Silver	A-34	480 Volt photocell	
				SRS1HR Type R Right	WH White	A-35	347 Volt Photocell	
				SRS1HL Type L Left	CC Custom Color*	WA	White Acrylic Lens	
					*Consult representative	CP	Clear Polycarbonate Lens ²	
						WP	White Polycarbonate Lens ²	
						WIH-IM	In-Fixture wireless control module	
						SF	120 Volt Single Fuse	
						DF	208 Volt Double Fuse	
						DF	240 Volt Double Fuse	
						SF	277 Volt Single Fuse	
						SF	347 Volt Single Fuse	
						DF	480 Volt Double Fuse	

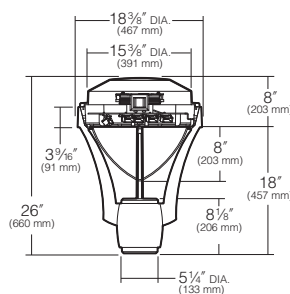
NOTE: EPA is for arm & Fixture

ELECTRICAL MODULE

Source	Color Temperature	Voltages
60L 60 LEDs, 73W	2K 580nm	120 120V
	3K 3000K	208 208V
	4K 4200K	240 240V
	5K 5100K	277 277V
		347 347V ¹
		480 480V ¹

¹ Due to current unavailability of 347V and 480V drivers, specification of these voltages may feature an integral step-down transformer.

² CAUTION: Use only when vandalism is anticipated to be high. Useful life of lens is limited by UV discoloration from sunlight.



FM

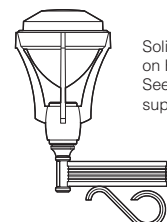


4" O.D. extruded aluminum pole

PT



Pole with 2" pipe-size tenon (2 3/8" O.D. x 4 1/2" min. length)



Solitaire shown on HA32S arm. See p.763 for other support arm options.

Bounce® & MiniBounce®

Pole and Wall Mounted Luminaires

SITE / ROADWAY



FEATURES

- LED models incorporating patented MicroEmitter® technology
- Ideal for traditional or contemporary architecture requiring a European accent
- MiniBounce is a smaller version of the popular Bounce Series for pole or wall mounting at lower mounting heights
- Sealed optical chamber, IP-66 rated

Features exclusive wiHUBB technology

- Wireless system for 0-10VDC full range dimming control
- Programmable autonomous operation



ORDERING INFORMATION (Example)

FM	BNS1H5	60L5K120	BL	A-30	PRA12-5125FM/BL
MOUNTING		ELECTRICAL MODULE		FIXTURE FINISH	
EPA		Bounce		BL Black	
Bounce		Bounce		DB Dark Bronze	
• FM	Flush Mnt. 4" O.D. Poles only	Source	Color Temperature	Volts	120V
• PT	Pole Tenon Mnt. 2" Pipe-size Tenon	60L 60 LEDs, 73W	2K 580nm 580nm	120	120V
•• 2SB	Twin Mnt. 4" or 5" O.D. Poles only		3K 3000K	208	208V
• 1W	Single Wall Mt.		4K 4200K	240	240V
			5K 5100K	277	277V
				347	347 ¹
				480	480V ¹
Mini-Bounce		Mini-Bounce		PS Platinum Silver	
• FM	Flush Mount	Source	Color Temperature	Volts	Universal
• PT	Pole Tenon Mt.	18L 18 LEDs	2K 580nm	UV	Voltage from
•• 2B	Twin Mount	27L 27 LEDs	3K 3000K		120 to 277V
••• 4C	Quad Mount	36L 36 LEDs	4K 4200K		with a ±10% tolerance
• 1W	Single Wall Mt.		5K 5100K		
				*Consult representative	
				POLE	
				See Arms & Poles Selection Guide at www.kimlighting.com for pole EPA & ordering.	
				FIXTURE OPTIONS	
				Bounce	
				A-30	120 Volt photocell
				A-30	120 Volt photocell
				A-31	208 Volt photocell
				A-32	240 Volt photocell
				A-33	277 Volt photocell
				A-34	480 Volt photocell
				A-35	347 Volt photocell
				CGL	Convex Glass Lens
				CP	Flat Polycarbonate Lens ²
				Mini-Bounce	
				HS	Houseside Shield
				TG	Textured Glass Lens
				BBC	Dark-Sky compliant Black Ballast Cover
				BBC	Black Ballast Cover ³
				SF	120 Volt Single Fuse
				DF	208 Volt Double Fuse
				DF	240 Volt Double Fuse
				SF	277 Volt Single Fuse
				SF	347 Volt Single Fuse
				DF	480 Volt Double Fuse

NOTE: EPA is for Fixture only

FIXTURE

Bounce

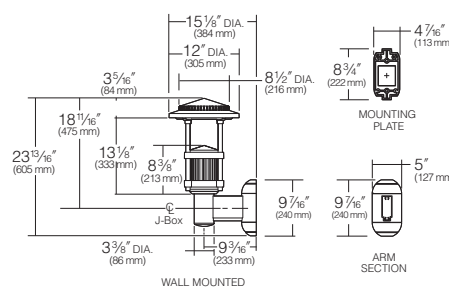
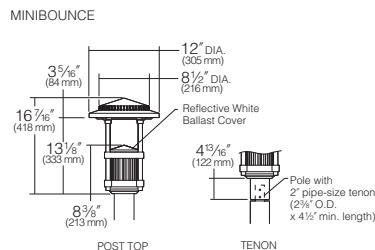
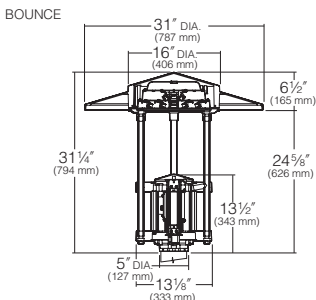
- BNS1H1** Type I
 - BNS1H2** Type II
 - BNS1H3** Type III
 - BNS1H4** Type IV Forward Throw
 - BNS1H5** Type V Square
- Mini-Bounce
- BNM** Round Type V

¹ Due to current unavailability of 347V and 480V drivers, specification of these voltages may feature an integral step-down transformer.

² CAUTION: Use only when vandalism is anticipated to be high. Useful life of lens is limited by UV discoloration from sunlight.

³ For full-cutoff distributions. Use with Black or Dark Bronze fixtures only.

Wall Mount Bollard also available. See p. 188
HID to LED Upgrade Kits available. Contact factory.



RA17 Small & RA25 Large Luminaire

FEATURES

- LED models incorporating patented LED MicroEmitter technology
- Era offers an alternative to rectilinear designs without compromising illumination performance
- Sealed optical chamber, IP-66 rated

Features exclusive wiHUBB technology

- Wireless system for 0-10VDC full range dimming control
- Programmable autonomous operation



SITE / ROADWAY

ORDERING INFORMATION (Example)

1A		RA175		60L5K120	WH	A-30	HSAF16-64188A-HA02S/WH
MOUNTING		EPA		FIXTURE FINISH		FIXTURE OPTIONS	
		RA17	RA25	BL Black	A-30 120 Volt photocell	SF 120 Volt Single Fuse	POLE / POLE ARM See Arms & Poles Selection Guide at www.kimlighting.com for pole EPA & ordering. 1W Wall Mount arm not included and must be ordered separately.
•	1A 1 Arm Side Mt.	0.8	1.5	DB Dark Bronze	A-31 208 Volt photocell	DF 208 Volt Double Fuse	
•	2B 2 Arm Side Mt.	1.6	3.0	LG Light Gray	A-32 240 Volt photocell	DF 240 Volt Double Fuse	
•	3Y 3 Arm Side Mt.	2.4	4.5	SG Stealth Gray	A-33 277 Volt photocell	SF 277 Volt Single Fuse	
•	4C 4 Arm Side Mt.	2.8	5.2	PS Platinum Silver	A-34 480 Volt photocell	SF 347 Volt Single Fuse	
•	1W Single Wall Mt.	n/a	n/a	WH White	A-35 347 Volt Photocell	DF 480 Volt Double Fuse	
				CC Custom Color*	CGL Convex Glass Lens	WIH-IM In-Fixture wireless control module	
				60L 60 LEDs, 68W For RA17	LS Polycarbonate Lens ²		
				120L 120 LEDs, 134.5W For RA25			

NOTE: EPA is for Fixture only

FIXTURE

- RA171** Type I Full Cutoff
- RA172** Type II Full Cutoff
- RA173** Type III Full Cutoff
- RA174** Type IV Full Cutoff
- RA175** Type V Square Full Cutoff
- RA17R** Type R Right Full Cutoff
- RA17L** Type L Left Full Cutoff
- RA251** Type I Full Cutoff
- RA252** Type II Full Cutoff
- RA253** Type III Full Cutoff
- RA254** Type IV Full Cutoff
- RA255** Type V Square Full Cutoff
- RA25R** Type R Right Full Cutoff
- RA25L** Type L Left Full Cutoff

ELECTRICAL MODULE

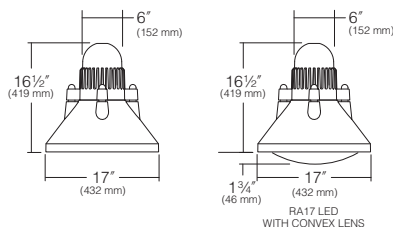
Source	Color Temperature	Voltages	
60L 60 LEDs, 68W For RA17	2K 580nm	120	120V
	3K 3000K	208	208V
120L 120 LEDs, 134.5W For RA25	4K 4200K	240	240V
	5K 5100K	277	277V
		347	347V¹
		480	480V¹

¹ Due to current unavailability of 347V and 480V drivers, specification of these voltages may feature an integral step-down transformer.

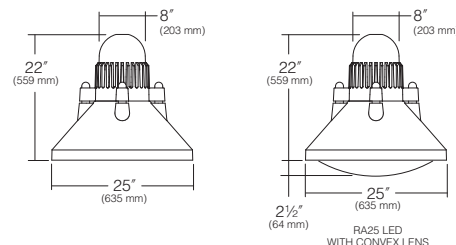
² Use only in high-vandalism situations. Useful life is limited by UV discoloration from sunlight.

HID to LED Upgrade Kits available. Contact factory.

ERA RA17



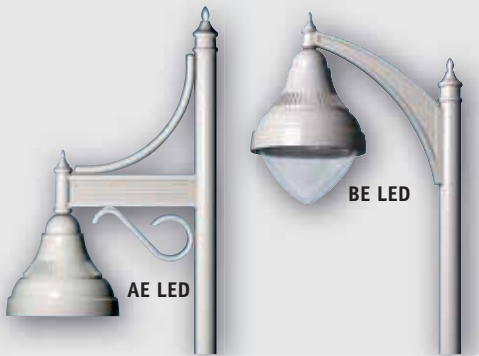
ERA RA25



Era® Acorn /Era® Bell

AE/BE17 Small & AE/BE21 Large Luminaire

SITE / ROADWAY



FEATURES

- LED models incorporating patent pending LED MicroEmitter technology
- The Era Acorn retains the classic acorn-shaped enclosure, but in a clear material that allows full optical performance with very low brightness
- The Era Bell utilizes a flat glass lens for full-cutoff performance, satisfying the most demanding light control specifications

Features exclusive *wiHUBB* technology

- Wireless system for 0-10VDC full range dimming control
- Programmable autonomous operation



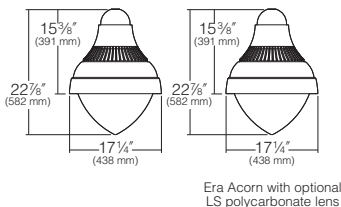
ORDERING INFORMATION (Example)

1A	AE171	60L5K120	WH	A-30	HSAS14-534188SA-HA11S/WH																																																																																
MOUNTING		ELECTRICAL MODULE		FIXTURE FINISH																																																																																	
<table border="1"> <thead> <tr> <th></th> <th>EPA</th> <th>AE/BE17</th> <th>AE/BE21</th> </tr> </thead> <tbody> <tr> <td>• 1A</td> <td>1 Arm Side Mt.</td> <td>0.6</td> <td>0.8</td> </tr> <tr> <td>•• 2B</td> <td>2 Arm Side Mt.</td> <td>1.2</td> <td>1.6</td> </tr> <tr> <td>••• 3Y</td> <td>3 Arm Side Mt.</td> <td>1.8</td> <td>2.4</td> </tr> <tr> <td>•••• 4C</td> <td>4 Arm Side Mt.</td> <td>2.1</td> <td>2.8</td> </tr> <tr> <td>• 1W</td> <td>Single Wall Mt.</td> <td>n/a</td> <td>n/a</td> </tr> </tbody> </table>			EPA	AE/BE17	AE/BE21	• 1A	1 Arm Side Mt.	0.6	0.8	•• 2B	2 Arm Side Mt.	1.2	1.6	••• 3Y	3 Arm Side Mt.	1.8	2.4	•••• 4C	4 Arm Side Mt.	2.1	2.8	• 1W	Single Wall Mt.	n/a	n/a	<table border="1"> <thead> <tr> <th>Source</th> <th>Color Temperature</th> <th colspan="2">Voltages</th> </tr> </thead> <tbody> <tr> <td>60L</td> <td>60 LEDs, 68.1W</td> <td>2K</td> <td>580nm</td> <td>120</td> <td>120V</td> </tr> <tr> <td></td> <td>For AE/BE17</td> <td>3K</td> <td>3000K</td> <td>208</td> <td>208V</td> </tr> <tr> <td>120L</td> <td>120 LEDs, 134.5W</td> <td>4K</td> <td>4200K</td> <td>240</td> <td>240V</td> </tr> <tr> <td></td> <td>For AE/BE21</td> <td>5K</td> <td>5100K</td> <td>277</td> <td>277V</td> </tr> <tr> <td></td> <td></td> <td></td> <td></td> <td>347</td> <td>347V¹</td> </tr> <tr> <td></td> <td></td> <td></td> <td></td> <td>480</td> <td>480V¹</td> </tr> </tbody> </table>		Source	Color Temperature	Voltages		60L	60 LEDs, 68.1W	2K	580nm	120	120V		For AE/BE17	3K	3000K	208	208V	120L	120 LEDs, 134.5W	4K	4200K	240	240V		For AE/BE21	5K	5100K	277	277V					347	347V ¹					480	480V ¹	<table border="1"> <tbody> <tr> <td>BL</td> <td>Black</td> </tr> <tr> <td>DB</td> <td>Dark Bronze</td> </tr> <tr> <td>LG</td> <td>Light Gray</td> </tr> <tr> <td>SG</td> <td>Stealth Gray</td> </tr> <tr> <td>PS</td> <td>Platinum Silver</td> </tr> <tr> <td>WH</td> <td>White</td> </tr> <tr> <td>CC</td> <td>Custom Color*</td> </tr> </tbody> </table>		BL	Black	DB	Dark Bronze	LG	Light Gray	SG	Stealth Gray	PS	Platinum Silver	WH	White	CC	Custom Color*	POLE / POLE ARM See Arms & Poles Selection Guide at www.kimlighting.com for pole EPA & ordering. 1W Wall Mount arm not included and must be ordered separately.	
	EPA	AE/BE17	AE/BE21																																																																																		
• 1A	1 Arm Side Mt.	0.6	0.8																																																																																		
•• 2B	2 Arm Side Mt.	1.2	1.6																																																																																		
••• 3Y	3 Arm Side Mt.	1.8	2.4																																																																																		
•••• 4C	4 Arm Side Mt.	2.1	2.8																																																																																		
• 1W	Single Wall Mt.	n/a	n/a																																																																																		
Source	Color Temperature	Voltages																																																																																			
60L	60 LEDs, 68.1W	2K	580nm	120	120V																																																																																
	For AE/BE17	3K	3000K	208	208V																																																																																
120L	120 LEDs, 134.5W	4K	4200K	240	240V																																																																																
	For AE/BE21	5K	5100K	277	277V																																																																																
				347	347V ¹																																																																																
				480	480V ¹																																																																																
BL	Black																																																																																				
DB	Dark Bronze																																																																																				
LG	Light Gray																																																																																				
SG	Stealth Gray																																																																																				
PS	Platinum Silver																																																																																				
WH	White																																																																																				
CC	Custom Color*																																																																																				
NOTE: EPA is for Fixture only																																																																																					
FIXTURE																																																																																					
Era Acorn			Era Bell																																																																																		
AE171	Type I Full Cutoff	BE171	Type I Full Cutoff	A-30	120 Volt photocell																																																																																
AE172	Type II Full Cutoff	BE172	Type II Full Cutoff	A-31	208 Volt photocell																																																																																
AE173	Type III Full Cutoff	BE173	Type III Full Cutoff	A-32	240 Volt photocell																																																																																
AE174	Type IV Full Cutoff	BE174	Type IV Full Cutoff	A-33	277 Volt photocell																																																																																
AE175	Type V Square Full Cutoff	BE175	Type V Square Full Cutoff	A-34	480 Volt photocell																																																																																
AE17R	Type R Right Full Cutoff	BE17R	Type R Right Full Cutoff	A-35	347 Volt Photocell																																																																																
AE17L	Type L Left Full Cutoff	BE17L	Type L Left Full Cutoff	CGL	Convex Glass Lens ²																																																																																
AE211	Type I Full Cutoff	BE211	Type I Full Cutoff	LS	Polycarbonate Lens ³																																																																																
AE212	Type II Full Cutoff	BE212	Type II Full Cutoff	SF	120 Volt Single Fuse																																																																																
AE213	Type III Full Cutoff	BE213	Type III Full Cutoff	DF	208 Volt Double Fuse																																																																																
AE214	Type IV Full Cutoff	BE214	Type IV Full Cutoff	DF	240 Volt Double Fuse																																																																																
AE215	Type V Square Full Cutoff	BE215	Type V Square Full Cutoff	SF	277 Volt Single Fuse																																																																																
AE21R	Type R Right Full Cutoff	BE21R	Type R Right Full Cutoff	SF	347 Volt Single Fuse																																																																																
AE21L	Type L Left Full Cutoff	BE21L	Type L Left Full Cutoff	DF	480 Volt Double Fuse																																																																																
				WIH-IM	In-Fixture wireless control module																																																																																

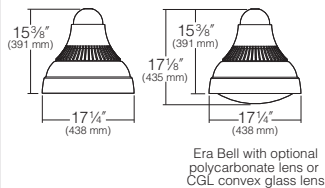
¹ Due to current unavailability of 347V and 480V drivers, specification of these voltages may feature an integral step-down transformer.
² For BE Era Bell only.
³ Use only in high-vandalism situations. Useful life is limited by UV discoloration from sunlight.

HID to LED Upgrade Kits available. Contact factory.

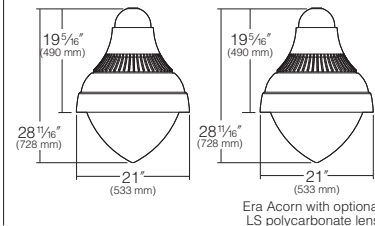
17" ERA ACORN



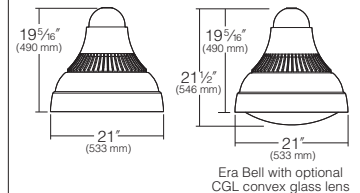
17" ERA BELL



21" ERA ACORN



21" ERA BELL



Era® Lantern LED

19" & 26" Bottom or Top Mount Luminaire

FEATURES

- LED models incorporating patented LED MicroEmitter® technology
- Heritage style meets modern performance
- Three arm options; Single Straight, Single Curved, and Double Curved
- Three decorative accent options; medallion with DC Arm, leaflets with SS Arm, and top housing finial

Features exclusive w/HUBB technology

- Wireless system for 0-10VDC full range dimming control
- Programmable autonomous operation



SITE / ROADWAY

ORDERING INFORMATION (Example)

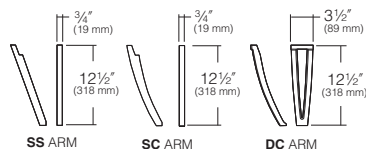
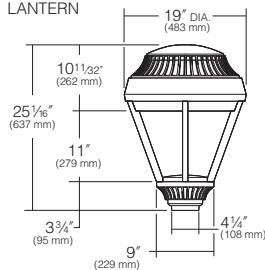
1A		LET	19	SS	3	60L5K120	WH	LEAF/A-30	HSAS14-534188SA-HA11S/WH	
MOUNTING		SIZE		REFLECTOR			FIXTURE FINISH		POLE / POLE ARM	
	EPA 19"	EPA 26"	19 19" Dia.	1	Type I Full Cutoff			BL	Black	
• FM	Flush Mt.	1.0	26 26" Dia.	2	Type II Full Cutoff			DB	Dark Bronze	
• PT	Pipe Tenon Mt.	1.0		3	Type III Full Cutoff			LG	Light Gray	
• 1A	1 Arm Side Mt.	0.7		4	Type IV Full Cutoff			SG	Stealth Gray	
• 2B	2 Arm Side Mt.	1.4		5	Type V Full Cutoff			PS	Platinum Silver	
• 3Y	3 Arm Side Mt.	2.1		R	Type R Right Full Cutoff			WH	White	
• 4C	4 Arm Side Mt.	2.4		L	Type L Left Full Cutoff			CC	Custom Color*	
• 1W	Single Wall Mt.	n/a						*Consult representative		
				FIXTURE ARM					FIXTURE OPTIONS	
				SS	Single Straight Arm			LEAF	Leaflets, top & bottom of arm (SS only)	
				SC	Single Curved Arm			MDL	Medallions, top of arm (DC only)	
				DC	Double Curved Arm			TF	Finial (bottom mt. fixture only)	
							CGL	Convex glass lens		
							A-30	120 Volt photocell		
							A-31	208 Volt photocell		
							A-32	240 Volt photocell		
							A-33	277 Volt photocell		
							A-34	480 Volt photocell		
							A-35	347 Volt Photocell		

NOTE: EPA is for Fixture only

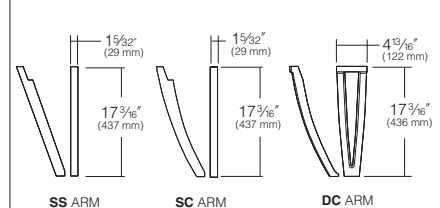
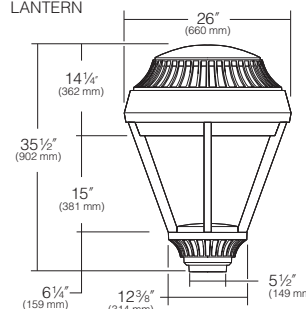
¹ Due to current unavailability of 347V and 480V drivers, specification of these voltages may feature an integral step-down transformer.

HID to LED Upgrade Kits available. Contact factory.

19" ERA LANTERN



26" ERA LANTERN



Curvilinear

CC/CCS17 & CC/CCS21 LED Post Top Mount

SITE / ROADWAY



CCS

FEATURES

- Classic, curvilinear style luminaire for architectural relevance and reduced wind loads
- LED models incorporating patented LED MicroEmitter technology
- Dark-Sky compliant, full-cutoff optics with flat glass lens

Features exclusive wiHUBB technology

- Wireless system for 0-10VDC full range dimming control
- Programmable autonomous operation



ORDERING INFORMATION (Example)

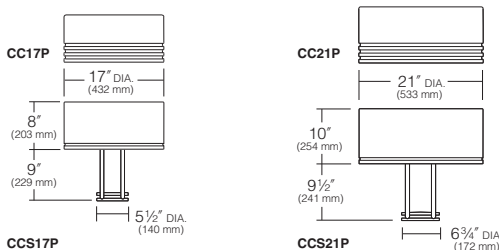
FM	CC17P3	DB	60L5K120	A-30	PRA12-5125FM/DB
MOUNTING		FIXTURE FINISH		FIXTURE OPTIONS	
EPA 17" 21"		BL Black DB Dark Bronze LG Light Gray SG Stealth Gray PS Platinum Silver WH White CC Custom Color* *Consult representative		1W Wall Mounting ² A-30 120 Volt photocell A-30 120 Volt photocell A-31 208 Volt photocell A-32 240 Volt photocell A-33 277 Volt photocell A-34 480 Volt photocell A-35 347 Volt Photocell	
FM Flush Mount 0.7 1.0 PT Post Tenon Mount 0.7 1.0 DM Direct Mount — 1.0 NOTE: EPA is for Fixture only				CGL Convex Glass Lens L17F Polycarbonate Lens ³ REV Accent Reveals (CC only) WIH-IM In-Fixture wireless control module	
				POLE / POLE ARM	
				See Arms & Poles Selection Guide at www.kimlighting.com for pole EPA & ordering.	

FIXTURE - POST TOP MOUNT				
	CC-17"	CCS-17"	CC-21"	CCS-21"
Type I	CC17P1	CCS17P1	CC21P1	CCS21P1
Type II	CC17P2	CCS17P2	CC21P2	CCS21P2
Type III	CC17P3	CCS17P3	CC21P3	CCS21P3
Type IV	CC17P4	CCS17P4	CC21P4	CCS21P4
Type V	CC17P5	CCS17P5	CC21P5	CCS21P5
Type R	CC17PR	CCS17PR	CC21PR	CCS21PR
Type L	CC17PL	CCS17PL	CC21PL	CCS21PL

ELECTRICAL MODULE		
Source	Color Temperature	Voltages
60L 60 LEDs 68.1W	LK Amber	120 120V
	3K 3000K	208 208V
120L 120 LEDs 134.5W	4K 4000K	240 240V
	5K 5000K	277 277V
		347 347V ¹
		480 480V ¹

¹ Due to current unavailability of 347V and 480V drivers, specification of these voltages may feature an integral step-down transformer.
² Junction box in wall must provide adequate fixture support.
³ Use only in high-vandalism situations. Useful life is limited by UV discoloration from sunlight.

HID to LED Upgrade Kits available. Contact factory.



Curvilinear

CC17 & CC21 LED Arm Mount

FEATURES

- Classic, curvilinear style luminaire for architectural relevance and reduced wind loads
- LED models incorporating patented LED MicroEmitter technology
- Dark-Sky compliant, full-cutoff optics with flat glass lens

Features exclusive wiHUBB technology

- Wireless system for 0-10VDC full range dimming control
- Programmable autonomous operation



CC/CCS



SITE / ROADWAY

ORDERING INFORMATION (Example)

1A	CC17A3	DB	60L5K120	A-30	—	PRA12-5125A/DB
MOUNTING		FIXTURE FINISH		FIXTURE OPTIONS		POLE / POLE ARM
	EPA 17" 21"	BL Black	1W Wall Mounting ²	CGL Convex Glass Lens	See Arms & Poles Selection Guide at www.kimlighting.com for pole EPA & ordering.	
• 1A	1 Arm Side Mt. 0.9 1.2	DB Dark Bronze	A-30 120 Volt photocell	L17F Polycarbonate Lens ³		
•• 2B	2 Arm Side Mt. 1.8 2.4	LG Light Gray	A-31 208 Volt photocell	REV Accent Reveals (CC only)		
••• 2L	2 Arm Side Mt. 1.6 2.2	SG Stealth Gray	A-32 240 Volt photocell	WIH-IM In-Fixture wireless control module		
•••• 3T	3 Arm Side Mt. 2.5 3.4	PS Platinum Silver	A-33 277 Volt photocell			
••••• 3Y	3 Arm Side Mt. 2.5 3.4	WH White	A-34 480 Volt photocell			
•••••• 4C	4 Arm Side Mt. 2.8 3.9	CC Custom Color*	A-35 347 Volt Photocell			
1W	Single Wall Mt. — —	*Consult representative				

NOTE: EPA is for Fixture only

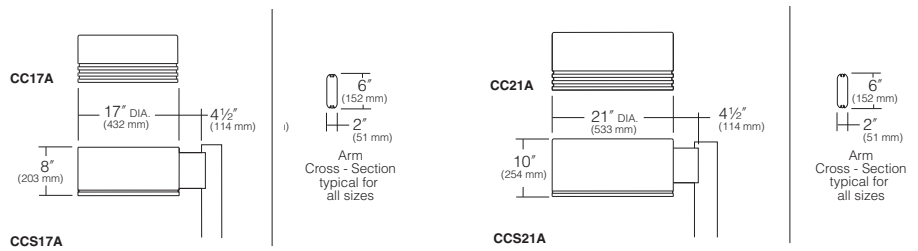
FIXTURE - ARM MOUNT				
	CC-17"	CCS-17"	CC-21"	CCS-21"
Type I	CC17A1	CCS17A1	CC21A1	CCS21A1
Type II	CC17A2	CCS17A2	CC21A2	CCS21A2
Type III	CC17A3	CCS21A3	CC21A3	CCS21A3
Type IV	CC21A4	CCS21A4	CC21A4	CCS21A4
Type V	CC21A5	CCS21A5	CC21A5	CCS21A5
Type R	CC21AR	CCS21AR	CC21AR	CCS21AR
Type L	CC21AL	CCS21AL	CC21AL	CCS21AL

ELECTRICAL MODULE		
Source	Color Temperature	Voltages
60L 60 LEDs 68.1W	2K Amber	120 120V
	3K 3000K	208 208V
120L 120 LEDs 134.5W	4K 4000K	240 240V
	5K 5000K	277 277V
		347 347V ¹ 480 480V ¹

SLIPFITTER MOUNTING OPTIONS	
HORIZONTAL	
HSF	for Pole Davit Arm
VERTICAL	
4" Round, Standard Fixtures	
VSF-1SA	1 fixture side mt.
VSF-2SB	2 fixtures side mt. 180°
VSF-2SL	2 fixtures side mt. 90°
VSF-3ST	3 fixtures side mt. 90°
VSF-3SY	3 fixtures side mt. 120°
VSF-4SC	4 fixtures side mt. 90°
4" Square, Standard Fixtures	
SVSF-1SA	1 fixture side mt.
SVSF-2SB	2 fixtures side mt. 180°
SVSF-2SL	2 fixtures side mt. 90°
SVSF-3ST	3 fixtures side mt. 90°
SVSF-4SC	4 fixtures side mt. 90°

¹ Due to current unavailability of 347V and 480V drivers, specification of these voltages may feature an integral step-down transformer.
² Junction box in wall must provide adequate fixture support.
³ Use only in high-vandalism situations. Useful life is limited by UV discoloration from sunlight.

HID to LED Upgrade Kits available. Contact factory.



Matrix LED

21" Arm Mounted & Post Top Luminaire

SITE / ROADWAY



FEATURES

- LED models incorporating patent pending LED MicroEmitter® technology
- Symmetric, square style luminaire for pedestrian and area lighting applications
- Dark-Sky compliant, full cut-off with flat glass lens
- Sealed optical chamber, IP-66 rated

Features exclusive *wiHUBB* technology

- Wireless system for 0-10VDC full range dimming control
- Programmable autonomous operation



ORDERING INFORMATION (Example)

2B		MX21A3		120L5K120		WH		A-25/SF		—		PSA14-4188B/WH							
MOUNTING				EPA				FIXTURE FINISH				FIXTURE OPTIONS				POLE / POLE ARM			
FM	Flush Mt.	1.7		BL	Black	A-25	Photocell Control	SF	120 Volt Single Fuse	See Arms & Poles Selection Guide at www.kimlighting.com for pole EPA & ordering..									
PT	Pole Tenon Mt.	1.7		DB	Dark Bronze	CGL	Convex Glass Lens	DF	208 Volt Double Fuse										
1A	1 Arm Side Mt.	2.1		LG	Light Gray	LS	Polycarbonate Lens ²	DF	240 Volt Double Fuse										
2B	2 Arm Side Mt.	4.2		SG	Stealth Gray			SF	277 Volt Single Fuse										
2L	2 Arm Side Mt.	3.8		PS	Platinum Silver			SF	347 Volt Single Fuse										
3T	3 Arm Side Mt.	5.1		WH	White			DF	480 Volt Double Fuse										
4C	4 Arm Side Mt.	6.0		CC	Custom Color*														
1W	Single Wall Mt.	—		*Consult representative															

NOTE: EPA is for Fixture only

FIXTURE		ELECTRICAL MODULE			
Matrix-Post - Horizontal		Source	Color Temperature	Voltages	
MX21P1	Type I Full Cutoff	120L 120 LEDs, 140W	2K 580nm	120	120V
MX21P2	Type II Full Cutoff		3K 3000K	208	208V
MX21P3	Type III Full Cutoff		4K 4200K	240	240V
MX21P4	Type IV Full Cutoff		5K 5100K	277	277V
MX21P5	Type V Full Cutoff			347	347V ¹
MX21PR	Type R Right Full Cutoff			480	480V ¹
MX21PL	Type L Left Full Cutoff				
Matrix-Arm - Horizontal					
MX21A1	Type I Full Cutoff				
MX21A2	Type II Full Cutoff				
MX21A3	Type III Full Cutoff				
MX21A4	Type IV Full Cutoff				
MX21A5	Type V Full Cutoff				
MX21AR	Type R Right Full Cutoff				
MX21AL	Type L Left Full Cutoff				

SLIPFITTER MOUNTING OPTIONS

HORIZONTAL

HSF For Pole Davit Arm

VERTICAL

4" Round, Standard Fixtures

- VSF-1A 1 fixture side mt.
- VSF-2B 2 fixtures side mt. 180°
- VSF-2L 2 fixtures side mt. 90°
- VSF-3T 3 fixtures side mt. 90°
- VSF-4C 4 fixtures side mt. 90°

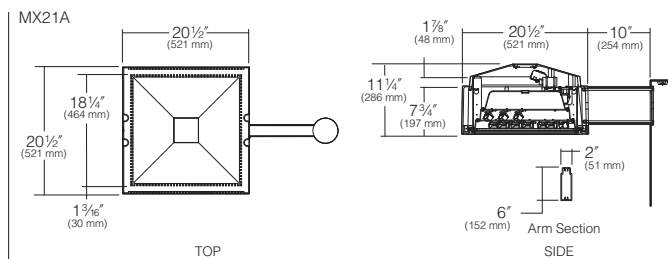
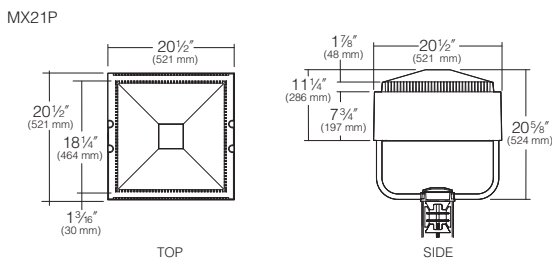
4" Square, Standard Fixtures

- SVSF-1A 1 fixture side mt.
- SVSF-2B 2 fixtures side mt. 180°
- SVSF-2L 2 fixtures side mt. 90°
- SVSF-3T 3 fixtures side mt. 90°
- SVSF-4C 4 fixtures side mt. 90°

¹ Due to current unavailability of 347V and 480V drivers, specification of these voltages may feature an integral step-down transformer.

² CAUTION: Use only when vandalism is anticipated to be high. Useful life of lens is limited by UV discoloration from sunlight.

HID to LED Upgrade Kits available. Contact factory.



The Entablature® LED

Small & Large Luminaire

SITE / ROADWAY

FEATURES

- LED models incorporating patent pending LED MicroEmitter® technology
- SET Entablature is designed for mounting heights of 10' to 16'. ET is designed for mounting heights of 20' to 30'

- Sealed optical chamber, IP-66 rated

Features exclusive w/HUBB technology

- Wireless system for 0-10VDC full range dimming control
- Programmable autonomous operation



ORDERING INFORMATION (Example)

1SA	SET3	60L5K120	DB	A-30/LS	—	A5/LG	PSA14-4188SA/DB
MOUNTING - SMALL			FIXTURE FINISH		SLIPFITTER MOUNTING OPTIONS		POLE / POLE ARM
1SA	1 Arm Side Mt.	EPA 1.0	BL Black	A-30 120 Volt photocell	VERTICAL		See Arms & Poles Selection Guide at www.kimlighting.com for pole EPA & ordering.
2SB	2 Arm Side Mt.	2.0	DB Dark Bronze	A-31 208 Volt photocell	4" Round, Standard Fixtures		
2SL	2 Arm Side Mt.	1.5	LG Light Gray	A-32 240 Volt photocell	VSF-1SA 1 fixture side mt.		
3ST	3 Arm Side Mt.	2.4	SG Stealth Gray	A-33 277 Volt photocell	VSF-2SB 2 fixtures side mt. 180°		
3SY	3 Arm Side Mt.	2.4	PS Platinum Silver	A-34 480 Volt photocell	VSF-2SL 2 fixtures side mt. 90°		
4SC	4 Arm Side Mt.	2.7	WH White	A-35 347 Volt Photocell	VSF-3ST 3 fixtures side mt. 90°		
1SW	Single Wall Mt.	---	CC Custom Color*	1SW Wall Mounting ²	VSF-3SY 3 fixtures side mt. 120°		
MOUNTING - LARGE			ELECTRICAL MODULE		VERTICAL		OPTIONAL ENTABLATURES
1A	1 Arm Side Mt.	1.8	Source	Color Temperature	Volts	4" Square, Standard Fixtures	<u>Arched Entablature*</u>
2B	2 Arm Side Mt.	3.6	60L 60 LEDs, 73W	2K 580nm	120 120V	VSVF-1SA 1 fixture side mt.	A1 Arch
2L	2 Arm Side Mt.	2.6		3K 3000K	208 208V	VSVF-2SB 2 fixtures side mt. 180°	A2 Broken Arch
3T	3 Arm Side Mt.	4.1		4K 4200K	240 240V	VSVF-2SL 2 fixtures side mt. 90°	A3 Stepped Arch
3Y	3 Arm Side Mt.	4.1		5K 5100K	277 277V	VSVF-3ST 3 fixtures side mt. 90°	A4 Stepped Broken Arch
4C	4 Arm Side Mt.	4.7			347 347V ¹	VSVF-4SC 4 fixtures side mt. 90°	A5 Standard
1W	Single Wall Mt.	---			480 480V ¹	HORIZONTAL	<u>Peaked Entablature*</u>
						HSF for Pole Davit Arm	P1 Peak
							P2 Broken Peak
							P3 Stepped Peak
							P4 Stepped Broken Peak
							P5 Stepped

NOTE: EPA is for Fixture only

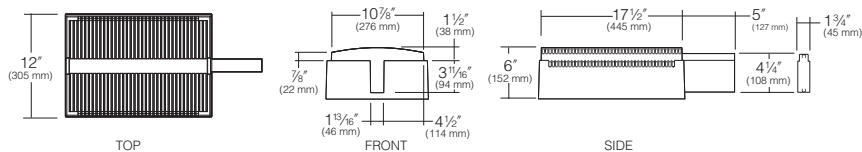
FIXTURE

SET1 Type I Full Cutoff	ET1 Horizontal Type I
SET2 Type II Full Cutoff	ET2 Horizontal Type II
SET3 Type III Full Cutoff	ET3 Horizontal Type III
SET4 Type IV Full Cutoff	ET4 Horizontal Type IV
SET5 Type V Full Cutoff	ET5 Horizontal Type V
SETL Type L Left Full Cutoff	ETL Type L Left Full Cutoff
SETR Type R Right Full Cutoff	ETR Type R Right Full Cutoff

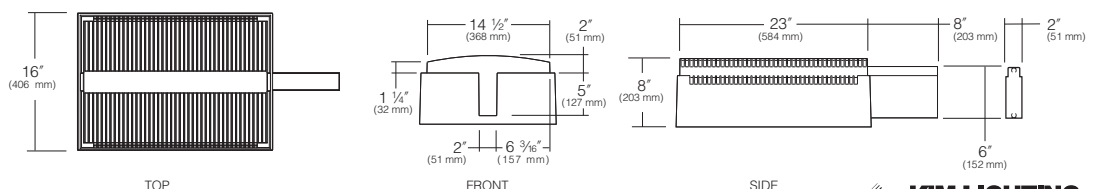
- ¹ Due to current unavailability of 347V and 480V drivers, specification of these voltages may feature an integral step-down transformer.
- ² Junction box in wall must provide adequate fixture support.
- ³ **CAUTION:** Use only when vandalism is anticipated to be high. Useful life of lens is limited by UV discoloration from sunlight.

HID to LED Upgrade Kits available. Contact factory.

SET



ET



Structural LED

STS Small & STL Large Structural LED

SITE / ROADWAY

STS LED
STL LED



FEATURES

- Elegant form and optional structural elements complement architectural design
- Structural combines state-of-the-art optics, materials and ergonomics to create glare free low maintenance lighting solutions
- IES Type II, III, IV, V, and One-Way L or R distribution patterns

Features exclusive wiHUBB technology

- Wireless system for 0-10VDC full range dimming control
- Programmable autonomous operation



ORDERING INFORMATION (Example)

1A	STL3	120L5K208	WH	A25	VSF-1A	AA01	—	PRA20-5125A/WH
-----------	-------------	------------------	-----------	------------	---------------	-------------	----------	-----------------------

MOUNTING - SMALL		EPA
1SA	1 Arm Side Mt.	1.1
2SB	2 Arm Side Mt.	2.2
2SL	2 Arm Side Mt.	1.5
3ST	3 Arm Side Mt.	2.6
3SY	3 Arm Side Mt.	2.6
4SC	4 Arm Side Mt.	2.7
1SW	Single Wall Mt.	—

MOUNTING - LARGE		EPA
1A	1 Arm Side Mt.	2.2
2B	2 Arm Side Mt.	4.4
2L	2 Arm Side Mt.	2.8
3T	3 Arm Side Mt.	5.0
3Y	3 Arm Side Mt.	5.0
4C	4 Arm Side Mt.	5.3
1W	Single Wall Mt.	—

FIXTURE FINISH		FIXTURE OPTIONS	
BL	Black	1W	Wall Mount
DB	Dark Bronze	A-25	Photocell Receptacle
LG	Light Gray	A-30	120V Photocell
SG	Stealth Gray	A-31	208V Photocell
PS	Platinum Silver	A-32	240V Photocell
WH	White	A-33	277V Photocell
CC	Custom Color*	A-35	347V Photocell
*Consult representative		A-34	480V Photocell
		CGL	Convex Glass Lens
		LS	Polycarbonate Lens
		TB	Terminal Block
		AF	Air Filter for ventilation
		WIH-IM	In-Fixture wireless control module

ELECTRICAL MODULE		
Source	Color Temperature	Voltages
60L 60 LEDs, 73W For STS	2K Amber	120 120V
120L 120 LEDs, 140W For STL	3K 3000K	208 208V
	4K 4200K	240 240V
	5K 5100K	277 277V
		347 347V
		480 480V

SUPPORT ARM OPTIONS		STRUCTURAL OPTIONS	
AA01	Swept Solid Arm	POLE MOUNTED	WALL MOUNTED
AA03	Swept Hollow Arm	Single Tension	Single Tension
AA05	Upsweep Solid Arm	TSP	Rod & clevis match fixture paint
AA07	Upsweep Hollow Arm	TSN	Stainless steel rod, nickel plated clevis
AA09	Uplift Adjustable Aluminum Arm	Double Tension	Double Tension
AA11	Uplift Adjustable Steel Arm	TDP	Rod & clevis match fixture paint
See Arms & Poles Selection Guide at www.kimlighting.com for fixture & arm EPA		TDN	Stainless steel rod, nickel plated clevis
		TR	Truss
		GS	Gusset

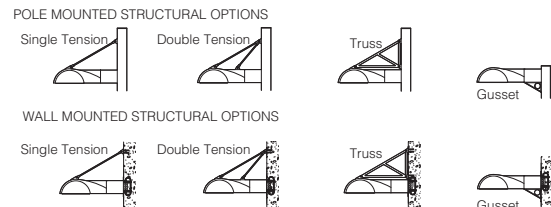
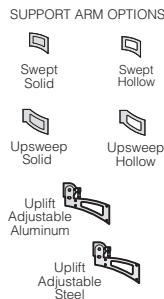
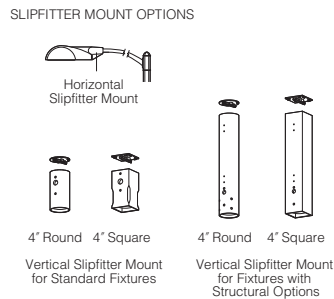
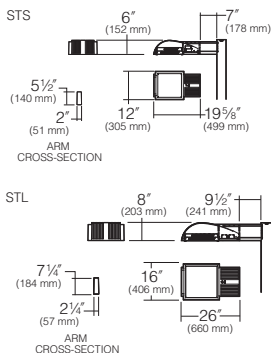
SLIPFITTER MOUNTING OPTIONS	
VERTICAL	HORIZONTAL
4" Round, Standard Fixtures	4" Round, Structural Option
VSF-1A 1 fixture side mt.	STRF-1A 1 fixture side mt.
VSF-2B 2 fixtures side mt. 180°	STRF-2B 2 fixtures side mt. 180°
VSF-2L 2 fixtures side mt. 90°	STRF-2L 2 fixtures side mt. 90°
VSF-3T 3 fixtures side mt. 90°	STRF-3T 3 fixtures side mt. 90°
VSF-3Y 3 fixtures side mt. 120°	STRF-3Y 3 fixtures side mt. 120°
VSF-4C 4 fixtures side mt. 90°	STRF-4C 4 fixtures side mt. 90°
4" Square, Standard Fixtures	4" Square, Structural Option
SVSF-1A 1 fixture side mt.	STSF-1A 1 fixture side mt.
SVSF-2B 2 fixtures side mt. 180°	STSF-2B 2 fixtures side mt. 180°
SVSF-SL 2 fixtures side mt. 90°	STSF-2L 2 fixtures side mt. 90°
SVSF-3T 3 fixtures side mt. 90°	STSF-3T 3 fixtures side mt. 90°
SVSF-4C 4 fixtures side mt. 90°	STSF-4C 4 fixtures side mt. 90°

FIXTURE	
SMALL	LARGE
STS2	Type II Full-Cutoff
STS3	Type III Full-Cutoff
STS4	Type IV Full-Cutoff
STS5	Type V Square Full-Cutoff
STSR	Type R Right Full-Cutoff
STSL	Type L Left Full-Cutoff
STL2	Type II Full-Cutoff
STL3	Type III Full-Cutoff
STL4	Type IV Full-Cutoff
STL5	Type V Square Full-Cutoff
STLRL	Type R Right Full-Cutoff
STLLL	Type L Left Full-Cutoff

NOTES: EPA is for Fixture only. 3Y only available on round slipfitter

POLE: See Arms & Poles Selection Guide at www.kimlighting.com for pole EPA & ordering.

HID to LED Upgrade Kits available. Contact factory.



Solar Powered Lighting

HARNESS THE POWER OF THE SUN

Solar power is an abundant source of energy that can be converted directly into electricity using photovoltaics. With the advancements in solar technology coupled with the improvements in solid-state lighting, commercial and industrial applications can now realize the benefits of solar lighting. Kim Lighting is committed to providing innovative and sustainable lighting solutions which offset the rise in energy costs and our impact on the environment.

Kim Lighting offers solar powered lighting solutions for site/roadway, floodlighting, and pathway applications using the most popular luminaires. Available products include: ALTITUDE™, WARP9® LED, ERA® LED, BOUNCE® LED, VRB LED, and THE ARCHETYPE® LED. These solar powered lighting solutions offer an environmentally friendly “clean energy” solution to lighting with the potential benefits of receiving special incentives for renewable projects.

SOLAR POWERED LIGHTING FEATURES AND BENEFITS

- Solar powered lighting offers an environmentally friendly solution to lighting
- Security, navigation and identification lighting for areas where grid tied power may be inaccessible, unreliable or too costly
- No trenching
- No wires
- No electric bills
- Funding may exist in certain areas for renewable projects
- Solar powered lighting system can be portable

Kim Lighting is pleased to partner with Solar Electric Power Company (SEPCO) to provide the most energy efficient and sustainable solar lighting solutions in the market.

Contact factory for additional information.



SITE / ROADWAY

ALTITUDE

The ultimate in luminaire design innovation with a unique balance of form, engineering and unique PicoPrism™ optics. ALTITUDE's aesthetic housing is proportional and scalable, with six sizes to cover more pedestrian and site/roadway environments than ever before.



WARP9 LED

Typical site lighting attempts to embellish, decorate, or adorn, often beyond the original architectural intent. WARP9 was designed to disappear from the site, camouflage itself within its surroundings, and avoid detection from daytime visual perception.



ERA LED

Era® is a transitionally styled luminaire that complements both traditional and contemporary architecture. Available with Kim's exclusive MicroEmitter® LED technology. Era LED Type 3 and Type 5 (5100K) is DLC approved.



BOUNCE LED

Bounce features a subtle indirect component that addresses the growing concern for control of glare and light trespass, with a unique visual presence both day and night.



VRB LED

Low level luminaires can be subject to vandalism in unsecured areas. Vandal Resistant Bollards are engineered for superior strength with extra thick components and base-to-grade connections to withstand considerable force.



THE ARCHETYPE LED

Modern architecture often integrates curvilinear, rectilinear, classical, and neoclassical styles into a single structure. The eclectic shape of The Archetype readily adapts to and complements contemporary architectural design.



PGL7 with PicoEmitter™

PGL7 Parking garage Luminaire

PARKING STRUCTURE

PGL7



NEW

FEATURES

- LED models incorporating patented PicoEmitter LED technology
- 75% increased lumen output at an affordable price point
- The PGL7 offers wide or narrow optics in two distribution patterns

Features exclusive wiHUBB technology

- Wireless system for 0-10VDC full range dimming control
- Programmable autonomous operation



ORDERING INFORMATION (Example)

PGL71N

E35

60L3K277

WH

LS

SCP

LED FIXTURE

Cat. Nos.	Narrow	Wide
PGL71 Series	PGL71N	PGL71W
PGL74 Series	PGL74N	PGL74W

CURRENT

E35	350mA 66 System Watts
E45	450mA 84 System Watts

FIXTURE FINISH

- PS** Platinum Silver (Standard)
 - WH** White
 - CC** Custom Color*
- *Consult representative

FIXTURE OPTIONS

- NFO** Neighbor Friendly Optics
- LS** Polycarbonate Refractor Lens
- ASOL** Acrylic Semi-Diffused Refractor Lens
- LSOL** Polycarbonate Semi-Diffused Refractor Lens
- SF** 120 Volt Single Fuse
- DF** 208 Volt Double Fuse
- DF** 240 Volt Double Fuse
- SF** 277 Volt Single Fuse
- SF** 347 Volt Single Fuse
- DF** 480 Volt Double Fuse
- PB2PS** Balanced Pendant J-Box and Bird Shroud (Platinum Silver)
- WIH-IM** In-Fixture wireless control module

CONTROL OPTIONS²

- SCO** On/Off Control – No light output when no motion detected
- SCP** High/Low Control – User programmable settings of 70, 60, 50, 20% of power. Factory default is 50%

ELECTRICAL MODULE

Source	Color Temperature	Voltages	
60L 60 LED's	2K 580nm	120	120V
	3K 3000K	208	208V
	4K 4200K	240	240V
	5K 5100K	277	277V
		347	347V ¹
		480	480V ¹

¹ Due to current unavailability of 347V and 480V drivers, specification of these voltages may feature an integral step-down transformer.

² PGL7 driver is a 0-10V dimming interface. For more information, refer to PGL7 Product Specification Sheet at www.kimlighting.com.

PGL7 DISTRIBUTIONS

PGL71W Type V Square Down Light



Driving Direction

PGL74W Type III Down Light



Driving Direction

PGL71N Type V Square Down Light



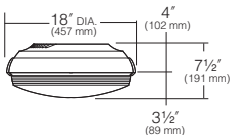
Driving Direction

PGL74N Type III Down Light

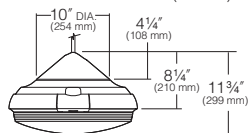


Driving Direction

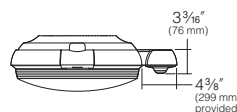
PGL7



PGL7 with Optional Balanced Pendant J-Box and Bird Shroud (PB2PS)



PGL7 with Control Option



Compact Floodlight

CFL1 - LED

FEATURES

- 27 energy efficient LED diodes configured in a rectangular array for directional illumination
- Designed for a wide beam spread while maintaining excellent uniformity
- Die-cast housing with integral cooling ribs design to dissipate heat allowing electrical components to operate within their allowable limits
- A variety of mounting options and standard heavy duty swivel allows flexibility for fine-tuning projects on the job site



ARCHITECTURAL FLOODLIGHTS

ORDERING INFORMATION (Example)

CFL1 **27L5KUJ** **BL** **BD-CFL** **JBR-21**

FIXTURE	FIXTURE FINISH	FIXTURE ACCESSORIES	MOUNTING OPTIONS
CFL1 Wide Flood	BL Black DB Dark Bronze LG Light Gray SG Stealth Gray PS Platinum Silver WH White CC Custom Color* *Consult representative	BD-CFL Barn Doors ^{1,2} FH-CFL Fixed hood ¹ FS-CFL Full Shield ^{1,3}	JBR-2 Brass in-grade Architectural J-box, (2) 1/2" NPT in bottom ^{4,5} JBR-3 Brass in-grade Architectural J-box, (2) 3/4" NPT in bottom ^{4,5} JBR-21 Brass in-grade Architectural J-box, (2) 1/2" NPT in sides, (2) 1/2" NPT in bottom ^{4,5} JBR-24 Brass In-grade Architectural J-box, (4) 1/2" NPT in sides, (2) 1/2" NPT in bottom ^{4,5} JBR-30 Brass in-grade staked J-box ⁶ JBR-32 Brass in-grade staked J-box with cord ⁵ SM18 Stanchion Mount ¹ J-27N Surface Mount ^{1,7} JW Architectural Wall Mount ¹ EP17 Landscape Light Post Mount ⁸ JB1 Architectural J-box ^{1,9} J-25N Portable spear mount

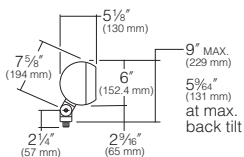
ELECTRICAL MODULE

Source	Color Temperature	Voltage
27L 27 LEDs	2K 580nm 3K 3000K 4K 4200K 5K 5100K	UV Universal Voltage from 120 to 277V with a ±10% tolerance

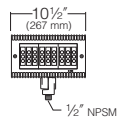
¹ Specify finish, **BL** - Black, **DB** - Dark Bronze, **LG** - Light Gray, **SG** - Stealth Gray, **PS** - Platinum Silver, **WH** - White.
² **CAUTION:** Not recommended for ground mounted fixtures in vandal prone areas.
³ **CAUTION:** Do not use where leaves and trash can collect inside shield.
⁴ All side taps provided with plugs.

⁵ **CAUTION:** Fixture stem and swivel must not contact soil or standing water. Provide drainage away from J-box.
⁶ May also be used to hard mount low voltage fixtures.
⁷ Surface mount can be connected to conduit or outdoor cord with waterproof cord seal (by others).

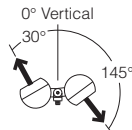
⁸ Should be used with a UL listed fixture and grounding means (i.e., third wire) suitable for use in wet locations.
⁹ **CAUTION:** J-box must be installed high enough to avoid contact with soil or standing water.



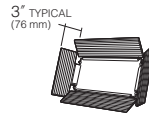
SIDE



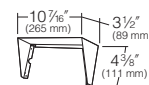
FRONT



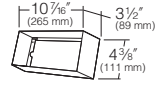
AIMING RANGE



BD-CFL
BARN DOORS



FH-CFL
FIXED HOOD



FS-CFL
FULL SHIELD

Wall Forms®

WF Wall Forms Round

WALL MOUNTED

WF21



FEATURES

- Energy efficient LED diodes available in 15 watt and 30 watt systems
- Four optical configurations for architectural accent lighting applications
- Three mounting configurations: surface, recessed hollow wall mount, and recessed concrete mount
- Molded, internal prisms or heat-treated smooth glass lens options
- Available LED Color temperatures include 3000K, 4200K, 5100K, and 580nm

ORDERING INFORMATION (Example)

WF22

18L3K120

BL

SF

FIXTURE			
Surface Mount			
Cat. Nos.	Configuration	Smooth Lens	Internal Prismatic
WF20	Full Face	S	P
WF21	Half Face	S	P
WF22	Cutoff Face	—	—
WF23	Shallow Cutoff Face	—	—

Recessed Concrete Mount

Cat. Nos.	Configuration	Smooth Lens	Internal Prismatic
WF30C	Full Face	S	P
WF31C	Half Face	S	P
WF32C	Cutoff Face	—	—
WF33C	Shallow Cutoff Face	—	—

Recessed Hollow Wall Mount

Cat. Nos.	Configuration	Smooth Lens	Internal Prismatic
WF30H	Full Face	S	P
WF31H	Half Face	S	P
WF32H	Cutoff Face	—	—
WF33H	Shallow Cutoff Face	—	—

FIXTURE FINISH

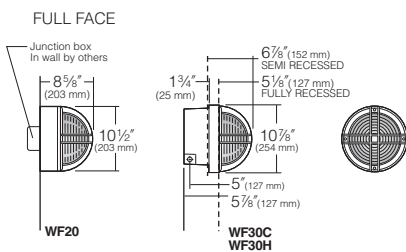
- BL Black
 - DB Dark Bronze
 - LG Light Gray
 - SG Stealth Gray
 - PS Platinum Silver
 - WH White
 - CC Custom Color*
- *Consult representative

FIXTURE OPTIONS

- SF 120 Volt Single Fuse
- DF 208 Volt Single Fuse
- DF 240 Volt Single Fuse
- SF 277 Volt Single Fuse

ELECTRICAL MODULE

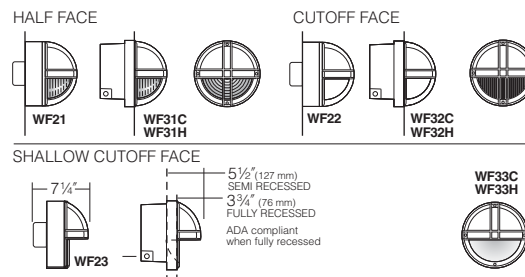
Source	Color Temperature	Voltages
9L 9 LEDs	2K 580nm	120 120V
18L 18 LEDs	3K 3000K	208 208V
	4K 4200K	120 240V
	5K 5100K	277 277V



RECESSED HOUSING REAR VIEW



3/4" NPT Conduit Taps:
C - Concrete Wall Model
 2 in sides, 2 in bottom
H - Hollow Wall Models
 2 in bottom Only



Site Wallforms®

SW1/SW3 Site Wallforms®

FEATURES

- Energy efficient LED systems available with 18 or 36 diodes
- Round and triangular geometric shapes provide design flexibility for architectural accent lighting applications
- Die-cast aluminum housing designed for full-cutoff classification, reducing spill light and nighttime glow
- LED Color temperatures include 3000K, 4200K, 5100K, and 580nm



WALL MOUNTED

SW1

36L3K120

DB

TG

FIXTURE

SW1	Site Wallforms
SW3	Site Wallforms

FIXTURE FINISH

- BL** Black
- DB** Dark Bronze
- LG** Light Gray
- SG** Stealth Gray
- PS** Platinum Silver
- WH** White
- CC** Custom Color*

*Consult representative

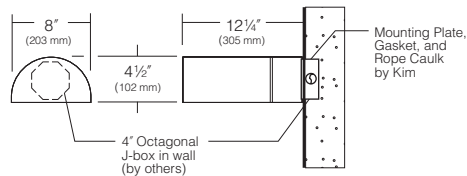
FIXTURE OPTIONS

- TG** Textured Glass Lens

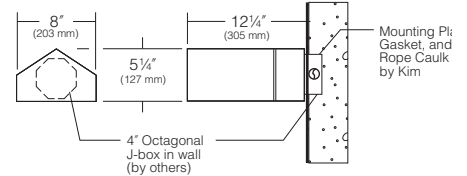
ELECTRICAL MODULE

Source	Color Temperature	Voltages
18L 18 LEDs	2K 580nm	120 120V
36L 36W LEDs	3K 3000K	208 208V
	4K 4200K	240 240V
	5K 5100K	277 277V

SW1 LED



SW3 LED



Wall Director®

Small WD14 & Large WD18 Wall Director

WALL-MOUNTED

WD14



WD18



FEATURES

- Small & large scale LED uplight and downlight luminance for architectural accent lighting
- IES Type II, III, and IV distribution patterns
- Dark-Sky compliant, full cut-off luminaire (down position only)
- High 95% reflector reflectivity for optimal performance

Features exclusive *wiHUBB* technology

- Wireless system for 0-10VDC full range dimming control
- Programmable autonomous operation



ORDERING INFORMATION (Example)

WD14-D2

60L5K120

WH

A-30

FIXTURE - 14" SMALL

WD14" - UP

WD14-U2 UP Type II

WD14-U3 UP Type III

WD14-U4 UP Type IV

WD14" - DOWN

WD14-D2 UP Type II

WD14-D3 UP Type III

WD14-D4 UP Type IV

FIXTURE FINISH

BL Black

DB Dark Bronze

LG Light Gray

SG Stealth Gray

PS Platinum Silver

WH White

CC Custom Color*

*Consult representative

FIXTURE OPTIONS

A-30 120 Volt photocell

A-31 208 Volt photocell

A-32 240 Volt photocell

A-33 277 Volt photocell

A-34 480 Volt photocell

A-35 347 Volt Photocell

SDS14 5" Shield

LS Lexan Enclosure²

WG14 Wire Guard

SCM14U Surface Conduit Mt. UP³

SCM14D Surface Conduit Mt. DOWN³

WIH-IM In-Fixture wireless control module

SF 120 Volt Single Fuse

DF 208 Volt Double Fuse

DF 240 Volt Double Fuse

SF 277 Volt Single Fuse

SF 347 Volt Single Fuse

DF 480 Volt Double Fuse

FIXTURE - 18" LARGE

WD18" - UP

WD18-U2 UP Type II

WD18-U3 UP Type III

WD18-U4 UP Type IV

WD18" - DOWN

WD18-D2 UP Type II

WD18-D3 UP Type III

WD18-D4 UP Type IV

ELECTRICAL MODULE

	Source	Color Temperature	Voltages	
60L	60 LEDs, 73W For WD14	2K Amber	120	120V
		3K 3000K	208	208V
		4K 4000K	240	240V
120L	120 LEDs, 140W For WD18	5K 5000K	277	277V
			347	347V ¹
			480	480V ¹

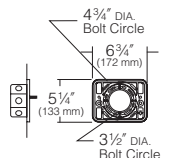
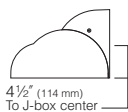
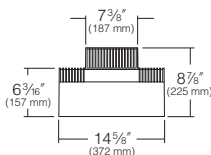
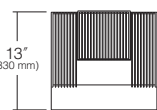
¹ Due to current unavailability of 347V and 480V drivers, specification of these voltages may feature an integral step-down transformer.

² Use only when vandalism is anticipated to be high Useful life limited by UV discoloration from sunlight. A program of regular inspection and periodic replacement is highly recommended to maintain optimum fixture performance.

³ Must be securely mounted to all surface.

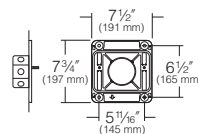
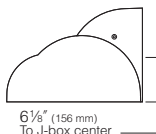
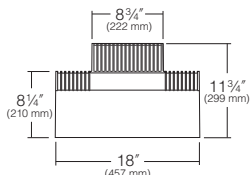
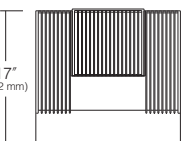
HID to LED Upgrade Kits available. Contact factory.

WD14



Mounting Plate
Attaches directly to any standard 4" J-box (by others)

WD18



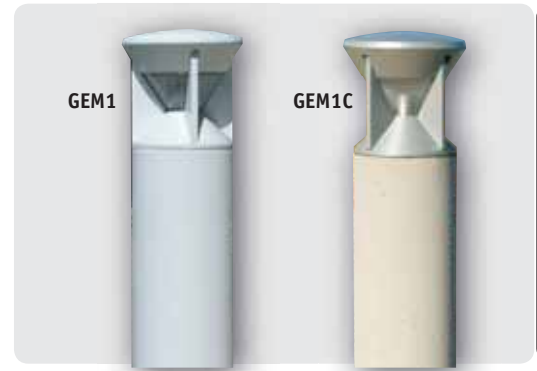
Mounting Plate
Must be securely attached to wall outside the J-box perimeter.

Low Level Luminaires

GEM™ Performance Bollards

FEATURES

- The GEM is designed to produce high levels of illuminance and an attractive lens presence. The visible lens produces a point of interest and attracts attention
- Designed for lighting walkways, entrances, courtyards, and landscaped areas where fixtures are viewable from all directions
- New energy efficient LED modules, up to 36 LEDs, are now available for all GEM Bollard models
- The GEM lighted head is constructed of die-cast aluminum, with a molded glass refractor



LOW LEVEL

ORDERING INFORMATION (Example)

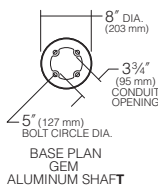
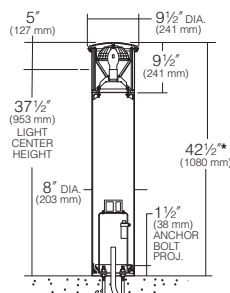
GEM1	18L5K120	DB	—	HS
FIXTURE	LUMINAIRE FINISH	CONCRETE FINISH	OPTIONS	
WITH ALUMINUM SHAFT	BL Black	BR-C Brown	HS Houseside Shield	
GEM1 Fixture	DB Dark Bronze	CH-C Charcoal	DR Duplex Receptacle	
WITH CONCRETE SHAFT	LG Light Gray	NG-C Natural Gray	DR-GFI Duplex Receptacle w/ Ground Fault Interruptor	
GEM1C Fixture	SG Stealth Gray	WH-C White		
	PS Platinum Silver	Available colors integral in concrete mix		
	WH White			
	CC Custom Color*			
	*Consult representative			

ELECTRICAL MODULE

LED

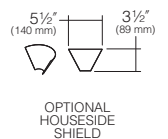
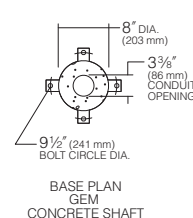
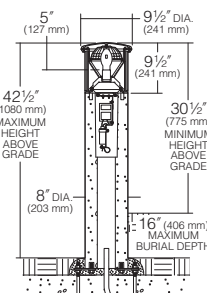
Source	Color Temperature	Voltages	
18L 18 LEDs Type 1	2K 580nm	120	120V
	3K 3000K	208	208V
27L 27 LEDs Type 3	4K 4200K	240	240V
	5K 5100K	277	277V
36L 36 LEDs Type 5			

GEM1
Maximum weight: 28 lb



*30" or 36" OVERALL HEIGHT
AVAILABLE - CONTACT
KIM REPRESENTATIVE
(27 1/2" ABSOLUTE MINIMUM)

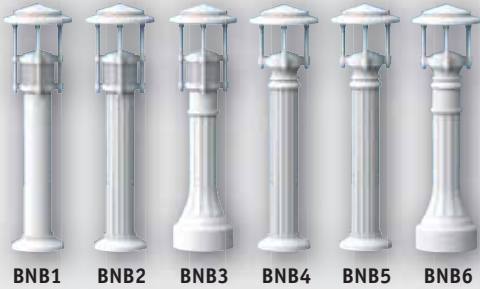
GEM1C
Maximum weight: 114 lb



Low Level Luminaires

BNB Bounce Bollards

LOW LEVEL



BNB1 BNB2 BNB3 BNB4 BNB5 BNB6

FEATURES

- Kim Lighting's Bounce Bollard LED series is perfect for pedestrian zones, pathways, perimeters, or other lower-mount and landscape applications, and is ideal for traditional or contemporary architecture requiring a striking European accent
- Kim Lighting's exclusive Bounce Bollard series has been broadened to include several new shaft styles and design details to further complement Kim Lighting's extensive Bounce® series of area, pedestrian scale, and wall-mounted luminaires

ORDERING INFORMATION (Example)

BNB1

18L3K120

WH

HS

ELECTRICAL MODULE

		LED		
Source		Color Temperature	Voltages	
18L	18 LEDs Type 1	2K 580nm	120	120V
27L	27 LEDs Type 3	3K 3000K	208	208V
36L	36 LEDs Type 5	4K 4200K	240	240V
		5K 5100K	277	277V

LUMINAIRE FINISH

- BL Black
- DB Dark Bronze
- LG Light Gray
- SG Stealth Gray
- PS Platinum Silver
- WH White
- CC Custom Color*

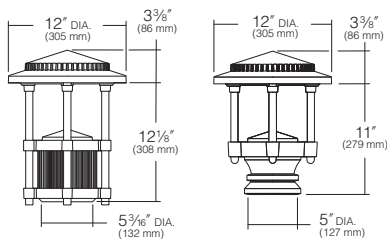
*Consult representative

FIXTURE

- BNB1 Straight Shaft
- BNB2 Fluted Shaft
- BNB3 Traditional Shaft
- BNB4 Straight Shaft
- BNB5 Fluted Shaft
- BNB6 Traditional Shaft

OPTIONS

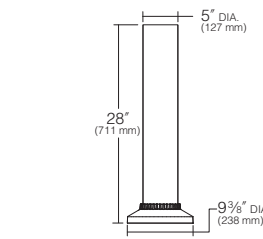
- HS Houseside Shield
- SF 120 Volt Single Fuse
- DF 208 Volt Double Fuse
- DF 240 Volt Double Fuse
- SF 277 Volt Single Fuse
- SF 347 Volt Single Fuse
- DF 480 Volt Double Fuse
- BBC Dark-Sky compliant Matte Black Body Cap



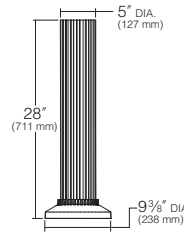
BNB 1/2/3

BNB 4/5/6

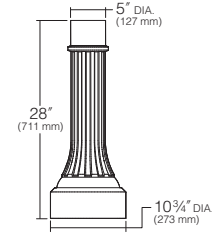
Fixtures shown at different scale than shafts



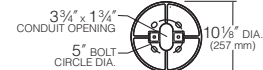
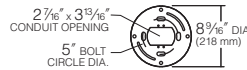
Straight - BNB 1/4



Fluted - BNB 2/5



Traditional - BNB 3/6



Low Level Luminaires

LE Era® Lantern Bollards

FEATURES

- Timeless, high performance historical lighting integration throughout the site is now possible with Kim Lighting's Era Lantern luminaire collection, which now includes a bollard to round out the Era Lantern offering.
- New energy efficient LED modules, up to 36 LEDs are now available for Era Lantern Bollard models



Smooth
LE1

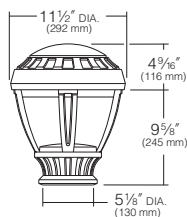
Fluted
LE2

Traditional
LE3

LOW LEVEL

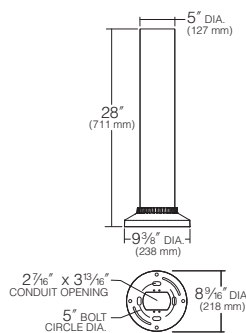
ORDERING INFORMATION (Example)

LE1	18L3K120	WH	HS																								
ELECTRICAL MODULE		OPTIONS																									
	<table border="1"> <thead> <tr> <th>PMH</th> <th>LED</th> <th></th> <th></th> </tr> <tr> <th>Source</th> <th>Color Temperature</th> <th colspan="2">Voltages</th> </tr> </thead> <tbody> <tr> <td>18L 18 LEDs Type 1</td> <td>2K 580nm</td> <td>120</td> <td>120V</td> </tr> <tr> <td>27L 27 LEDs Type 3</td> <td>3K 3000K</td> <td>277</td> <td>277V</td> </tr> <tr> <td>36L 36 LEDs Type 5</td> <td>4K 4200K</td> <td></td> <td></td> </tr> <tr> <td></td> <td>5K 5100K</td> <td></td> <td></td> </tr> </tbody> </table>	PMH	LED			Source	Color Temperature	Voltages		18L 18 LEDs Type 1	2K 580nm	120	120V	27L 27 LEDs Type 3	3K 3000K	277	277V	36L 36 LEDs Type 5	4K 4200K				5K 5100K				
PMH	LED																										
Source	Color Temperature	Voltages																									
18L 18 LEDs Type 1	2K 580nm	120	120V																								
27L 27 LEDs Type 3	3K 3000K	277	277V																								
36L 36 LEDs Type 5	4K 4200K																										
	5K 5100K																										
FIXTURE		LUMINAIRE FINISH																									
LE1	Smooth Shaft	BL	Black																								
LE2	Fluted Shaft	DB	Dark Bronze																								
LE3	Traditional Shaft	LG	Light Gray																								
		SG	Stealth Gray																								
		PS	Platinum Silver																								
		WH	White																								
		CC	Custom Color*																								
		*Consult representative																									
		HS	Houseside Shield																								
		SF	120 Volt Single Fuse																								
		DF	208 Volt Double Fuse																								
		DF	240 Volt Double Fuse																								
		SF	277 Volt Single Fuse																								
		SF	347 Volt Single Fuse																								
		DF	480 Volt Double Fuse																								
		LS	Polycarbonate Lantern Enclosure																								
		A	Acrylic Lantern Enclosure																								

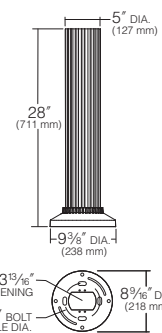


LE 1/2/3

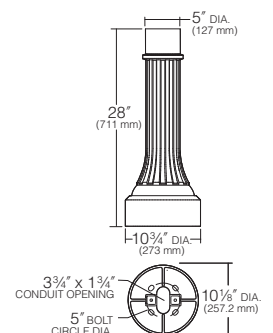
Fixture shown at different scale than shafts



Smooth - LE1



Fluted - LE2



Traditional - LE3

Low Level Luminaires

VRB1 / VRB2 / VRB3 / VRB4 / VSB1 / VSB2 Vandal Resistant Bollards

LOW-LEVEL

VRB1 VRB2 VRB3 VRB4 VSB1 VSB2



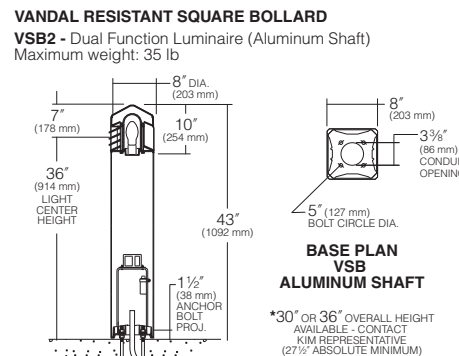
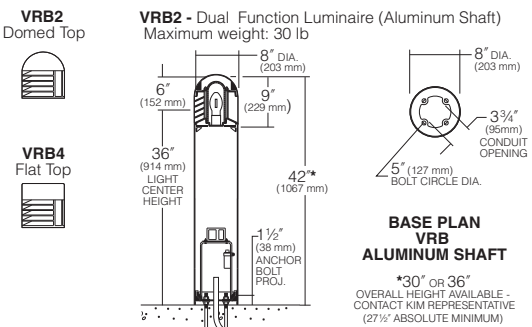
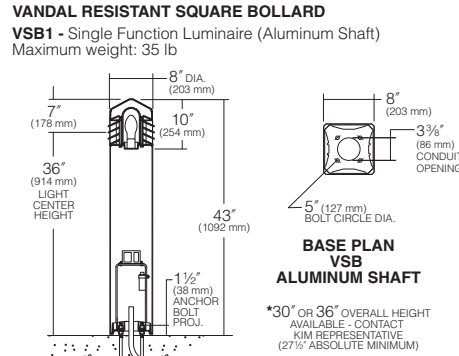
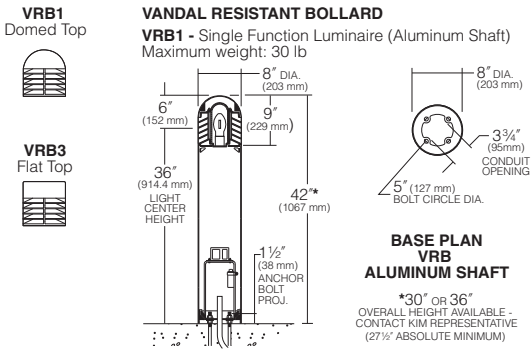
FEATURES

- VRB1, VRB3 and VSB1 horizontal louvers provide 360° of down-lighting with total lamp source cutoff above 90° horizontal
- VRB2, VRB4 and VSB2 horizontal louvers provide 210° of cutoff down-lighting and vertical louvers provide 150° of non-cutoff accent lighting
- Designed for lighting walkways, entrances, courtyards, and landscaped areas where fixtures are viewable from all directions

ORDERING INFORMATION (Example)

VRB1	10L2K	BL	HS															
FIXTURE	ELECTRICAL MODULE	LUMINAIRE FINISH	OPTIONS															
VRB1 Domed Round, 360° downlighting VRB2 Domed Round, 210° downlighting, 150° accent lighting VRB3 Flat Round, 360° downlighting VRB4 Flat Round, 210° downlighting, 150° accent lighting VSB1 Square, 360° downlighting VSB2 Square, 210° downlighting, 150° accent lighting	LED <table border="1"> <thead> <tr> <th>Source</th> <th>Color Temperature</th> <th>Voltages</th> </tr> </thead> <tbody> <tr> <td>10L IES Type 1 LED</td> <td>2K Amber</td> <td>120 120V</td> </tr> <tr> <td>15L IES Type 3 LED</td> <td>3K 3000K</td> <td>277 277V</td> </tr> <tr> <td>20L IES Type 5 LED</td> <td>4K 4200K</td> <td></td> </tr> <tr> <td></td> <td>5K 5100K</td> <td></td> </tr> </tbody> </table>	Source	Color Temperature	Voltages	10L IES Type 1 LED	2K Amber	120 120V	15L IES Type 3 LED	3K 3000K	277 277V	20L IES Type 5 LED	4K 4200K			5K 5100K		BL Black DB Dark Bronze LG Light Gray SG Stealth Gray PS Platinum Silver WH White CC Custom Color* *Consult representative	HS Houseside Shield
Source	Color Temperature	Voltages																
10L IES Type 1 LED	2K Amber	120 120V																
15L IES Type 3 LED	3K 3000K	277 277V																
20L IES Type 5 LED	4K 4200K																	
	5K 5100K																	

For concrete shaft or unlighted concrete bollard, contact factory.



Low Level Luminaires

CB Compact Bollard

FEATURES

- Kim's Compact LED Bollard features full overlapping louvers to provide total light cutoff above horizontal
- A completely gasketed glass globe utilizes prisms to optimize and control the light. With recommended coated lamps, a smooth wash of light is achieved with no shadows from the vertical supports
- Battery back-up, cold-pack emergency battery pack and houseside shield options available



LOW-LEVEL

ORDERING INFORMATION (Example)

CB24	30L2K	WH	HS
FIXTURE		FIXTURE FINISH	OPTIONS
CB24 Compact Bollard, 24" height		BL Black	HS Houseside Shield
CB32 Compact Bollard, 32" height		DB Dark Bronze	
		LG Light Gray	
		SG Stealth Gray	
		PS Platinum Silver	
		WH White	
		CC Custom Color*	
		*Consult representative	

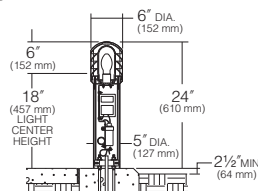
ELECTRICAL MODULE

LED			
Source		Color Temperature	Voltages
10L IES Type 1 LED		2K 580nm	120 120V
		3K 3000K	277 277V
15L IES Type 3 LED		4K 4200K	
20L IES Type 5 LED		5K 5100K	

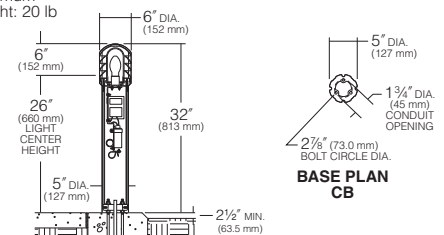
HID to LED Replacement Kit available. Contact factory.

CB COMPACT BOLLARDS

CB24
Maximum weight: 17 lb



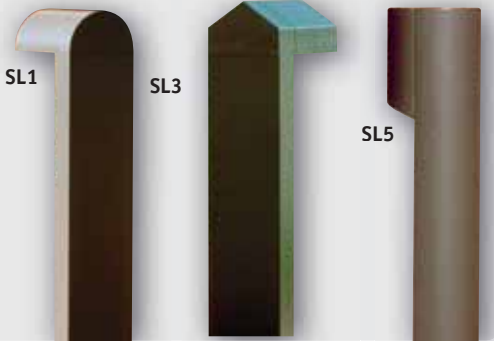
CB32
Maximum weight: 20 lb



Low Level Luminaires

SL1 / SL3 / SL5 Site Lightforms® Bollards

LOW-LEVEL



FEATURES

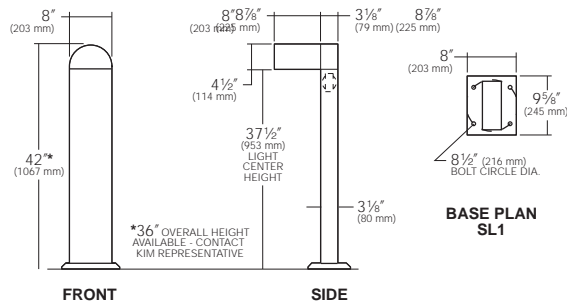
- SL fixtures are specifically designed and engineered to combine contemporary form with rugged vandal resistant construction
- New energy efficient LED modules, up to 36 LEDs, are now available for Site Lightforms Bollard models
- SL1 and SL3 offer path lighting with full-cutoff optics. SL5 offers path lighting with semi cutoff optics
- One-piece extruded aluminum shafts for a clean sharp cornered appearance with superior strength

ORDERING INFORMATION (Example)

SL1	18L3K120	WH
FIXTURE	ELECTRICAL MODULE	FIXTURE FINISH
SL1 Site Lightforms	LED	BL Black
SL3 Site Lightforms	18L 18 LEDs ⁵	DB Dark Bronze
SL5 Site Lightforms	36L 36 LEDs ⁵	LG Light Gray
	Color Temperature	SG Stealth Gray
	Voltages	PS Platinum Silver
	2K Amber 120 120V	WH White
	3K 3000K 208 208V	CC Custom Color*
	4K 4200K 240 277V	
	5K 5100K 277 277V	
		*Consult representative

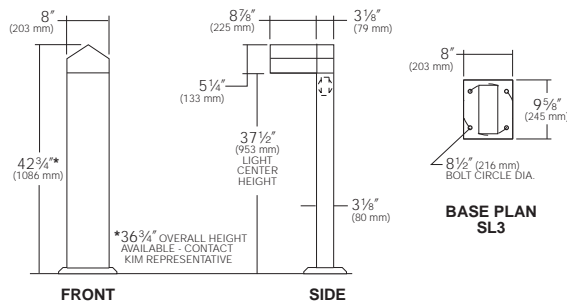
SL1 SITE LIGHTFORMS

Maximum weight: 37 lb



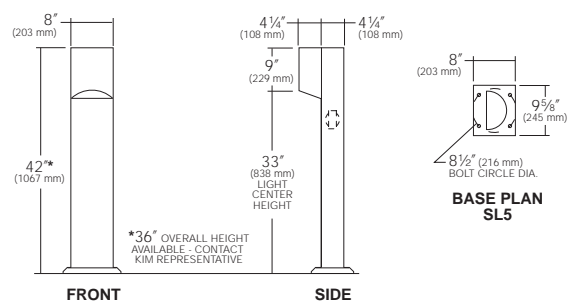
SL3 SITE LIGHTFORMS

Maximum weight: 39 lb



SL5 SITE LIGHTFORMS

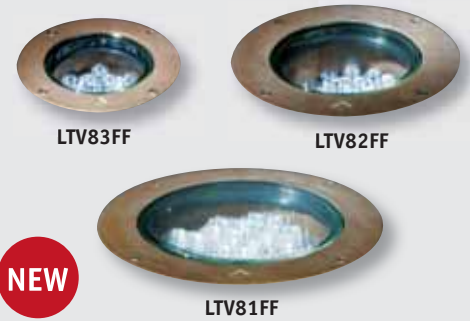
Maximum weight: 37 lb



LTV81FF / LTV82FF / LTV83FF Flat Frame Lens Ring

FEATURES

- Composite pour boxes ship ahead to simplify installation
- Sealed light engine prevents ingress of moisture and/or debris (IP66 compatibility pending)
- Bluetooth enabled field-aiming allows for wireless adjustment and dimming
- Available in spot, wall-wash, and narrow flood distributions
- 3000K, 4200K, and 5100K CCT
- Optional Slip Resistant Lens, Hex Cell Louver, Prismatic Lens



IN-GRADE

ORDERING INFORMATION (Example)

LTV81FF/SP	36L5KUV	PL/RCA81
FIXTURE	ELECTRICAL MODULE	FIXTURE OPTIONS¹
With Flat Frame Lens Ring	Source	SR Slip-Resistant Lens
LTV81FF/SP Spot ^{1,2}	36L 36 LEDs	HL Hex Cell Louver. SP or NF only. Best with spot optics ³
LTV81FF/NF Narrow Flood ^{1,2}	Color Temperature	PL Prismatic Lens softens lamp distribution. Best with flood lamps ³
LTV81FF/WW Wall Wash ^{1,2}	3K 3000K	RCA81 Rebar cage anchor for RCA81
LTV82FF/SP Spot ^{1,2}	4K 4200K	RCA82 Rebar cage anchor for RCA82
LTV82FF/NF Narrow Flood ^{1,2}	5K 5100K	RCA83 Rebar cage anchor for RCA83
LTV82FF/WW Wall Wash ^{1,2}	18L 18 LEDs	
LTV83FF/SP Spot ^{1,2}	16L 16 LEDs	
LTV83FF/NF Narrow Flood ^{1,2}	12L 12 LEDs	
LTV83FF/WW Wall Wash ^{1,2}		

¹ All lens options are integral parts of component module and **must be installed at factory.**
² Opening of Component Module on site will void warranty.
³ Not recommended for Wall Wash distribution.

Pour Box rough-in housing ships separately and as a quick-ship if requested.

LTV81FF



LTV83FF



LTV82FF



DEBRIS SHIELDS



LTV81



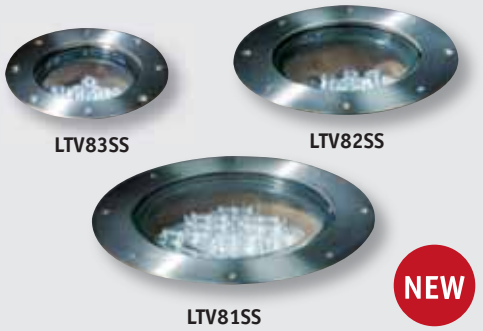
LTV82



LTV83

LTV81SS / LTV82SS / LTV83SS Stainless Steel Lens Ring

IN-GRADE



FEATURES

- Composite pour boxes ship ahead to simplify installation
- Sealed light engine prevents ingress of moisture and/or debris (IP66 compatibility pending)
- Bluetooth enabled field-aiming allows for wireless adjustment and dimming
- Available in spot, wall-wash, and narrow flood distributions
- 3000K, 4200K, and 5000K CCT
- Optional Slip Resistant Lens, Hex Cell Louver, Prismatic Lens

ORDERING INFORMATION (Example)

LTV81SS/SP

FIXTURE

With Flat Frame Lens Ring

LTV81SS/SP	Spot ^{1,2}
LTV81SS/NF	Narrow Flood ^{1,2}
LTV81SS/WW	Wall Wash ^{1,2}
LTV82SS/SP	Spot ^{1,2}
LTV82SS/NF	Narrow Flood ^{1,2}
LTV82SS/WW	Wall Wash ^{1,2}
LTV83SS/SP	Spot ^{1,2}
LTV83SS/NF	Narrow Flood ^{1,2}
LTV83SS/WW	Wall Wash ^{1,2}

36L5KUV

ELECTRICAL MODULE

Source	Color Temperature	Voltage
36L 36 LEDs	3K 3000K	UV Universal Voltage
	4K 4200K	
	5K 5100K	
18L 18 LEDs		
16L 16 LEDs		
12L 12 LEDs		

PL/RCA81

FIXTURE OPTIONS¹

- SR** Slip-Resistant Lens
- HL** Hex Cell Louver. SP or NF only. Best with spot optics³
- PL** Prismatic Lens softens lamp distribution. Best with flood lamps³
- RCA81** Rebar cage anchor for RCA81
- RCA82** Rebar cage anchor for RCA82
- RCA83** Rebar cage anchor for RCA83

¹ All lens options are integral parts of component module and **must be installed at factory.**
² Opening of Component Module on site will void warranty.
³ Not recommended for Wall Wash distribution.

Pour Box rough-in housing ships separately and as a quick-ship if requested.

LTV81SS



LTV83SS



LTV82SS



DEBRIS SHIELDS



LTV81RG / LTV82RG / LTV83RG Rock Guard Lens Ring

IN-GRADE

FEATURES

- Composite pour boxes ship ahead to simplify installation
- Sealed light engine prevents ingress of moisture and/or debris (IP66 compatibility pending)
- Bluetooth enabled field-aiming allows for wireless adjustment and dimming
- Available in spot, wall-wash, and narrow flood distributions
- 3000K, 4200K, and 5100K CCT
- Rock guard for lens protection



ORDERING INFORMATION (Example)

LTV81RG/SP

36L5KUV

PL/RCA81

FIXTURE

With Flat Frame Lens Ring

- LTV81RG/SP** Spot^{1,2}
- LTV81RG/NF** Narrow Flood^{1,2}
- LTV81RG/WW** Wall Wash^{1,2}
- LTV82RG/SP** Spot^{1,2}
- LTV82RG/NF** Narrow Flood^{1,2}
- LTV82RG/WW** Wall Wash^{1,2}
- LTV83RG/SP** Spot^{1,2}
- LTV83RG/NF** Narrow Flood^{1,2}
- LTV83RG/WW** Wall Wash^{1,2}

ELECTRICAL MODULE

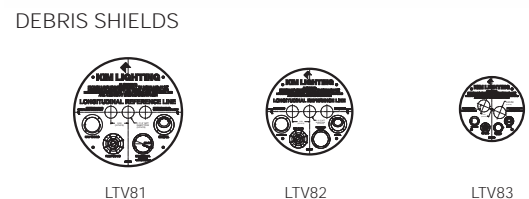
Source	Color Temperature	Voltage
36L 36 LEDs	3K 3000K	UV Universal Voltage
	4K 4200K	
	5K 5100K	
18L 18 LEDs		
16L 16 LEDs		
12L 12 LEDs		

FIXTURE OPTIONS¹

- SR** Slip-Resistant Lens
- HL** Hex Cell Louver. SP or NF only. Best with spot optics³
- PL** Prismatic Lens softens lamp distribution. Best with flood lamps³
- RCA81** Rebar cage anchor for RCA81
- RCA82** Rebar cage anchor for RCA82
- RCA83** Rebar cage anchor for RCA83

¹ All lens options are integral parts of component module and **must be installed at factory.**
² Opening of Component Module on site will void warranty.
³ Not recommended for Wall Wash distribution.

Pour Box rough-in housing ships separately and as a quick-ship if requested.



Lightvault®

LTV81HS / LTV82HS / LTV83HS Half Shield Lens Ring

IN-GRADE



FEATURES

- Composite pour boxes ship ahead to simplify installation
- Sealed light engine prevents ingress of moisture and/or debris (IP66 compatibility pending)
- Bluetooth enabled field-aiming allows for wireless adjustment and dimming
- Available in spot, wall-wash, and narrow flood distributions
- 3000K, 4200K, and 5100K CCT
- Half shield provides glare protection

ORDERING INFORMATION (Example)

LTV81HS/SP		36L5KUV		PL/RCA81	
FIXTURE		ELECTRICAL MODULE		FIXTURE OPTIONS ¹	
With Flat Frame Lens Ring		Source	Color Temperature	UV	Voltage
LTV81HS/SP	Spot ^{1,2}	36L 36 LEDs	3K 3000K	UV	Universal Voltage
LTV81HS/NF	Narrow Flood ^{1,2}		4K 4200K		
LTV81HS/WW	Wall Wash ^{1,2}		5K 5100K		
LTV82HS/SP	Spot ^{1,2}	18L 18 LEDs			
LTV82HS/NF	Narrow Flood ^{1,2}				
LTV82HS/WW	Wall Wash ^{1,2}	16L 16 LEDs			
LTV83HS/SP	Spot ^{1,2}	12L 12 LEDs			
LTV83HS/NF	Narrow Flood ^{1,2}				
LTV83HS/WW	Wall Wash ^{1,2}				

¹ All lens options are integral parts of component module and **must be installed at factory.**

² Opening of Component Module on site will void warranty.

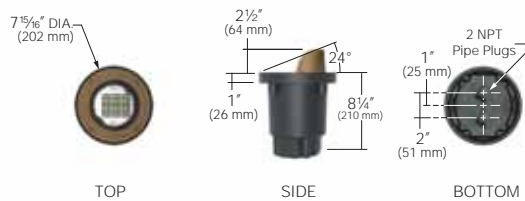
³ Not recommended for Wall Wash distribution.

Pour Box rough-in housing ships separately and as a quick-ship if requested.

LTV81HS



LTV83HS



LTV82HS



DEBRIS SHIELDS



LTV81EB / LTV82EB / LTV83EB Eyeball Lens Ring

FEATURES

- Composite pour boxes ship ahead to simplify installation
- Sealed light engine prevents ingress of moisture and/or debris (IP66 compatibility pending)
- Bluetooth enabled field-aiming allows for wireless adjustment and dimming
- Available in spot, wall-wash, and narrow flood distributions
- 3000K, 4200K, and 5100K CCT
- For applications that require lamp tilt



ORDERING INFORMATION (Example)

LTV81EB/SP

36L5KUV

PL/RCA81

FIXTURE

With Flat Frame Lens Ring

LTV81EB/SP	Spot ^{1,2}
LTV81EB/NF	Narrow Flood ^{1,2}
LTV81EB/WW	Wall Wash ^{1,2}
LTV82EB/SP	Spot ^{1,2}
LTV82EB/NF	Narrow Flood ^{1,2}
LTV82EB/WW	Wall Wash ^{1,2}
LTV83EB/SP	Spot ^{1,2}
LTV83EB/NF	Narrow Flood ^{1,2}
LTV83EB/WW	Wall Wash ^{1,2}

ELECTRICAL MODULE

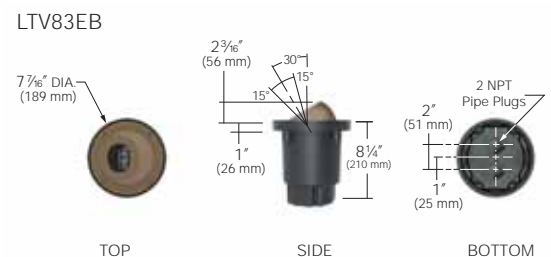
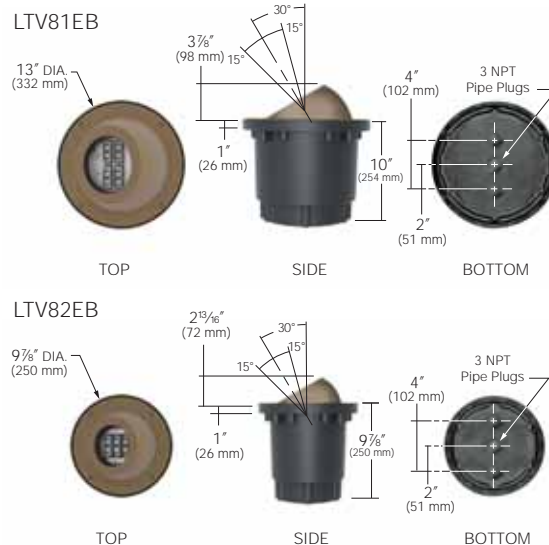
Source	Color Temperature	Voltage
18L 18 LEDs	3K 3000K	UV Universal Voltage
	4K 4200K	
	5K 5100K	
16L 16 LEDs		
12L 12 LEDs		
8L 8 LEDs		

FIXTURE OPTIONS¹

- SR** Slip-Resistant Lens
- HL** Hex Cell Louver. SP or NF only. Best with spot optics³
- PL** Prismatic Lens softens lamp distribution. Best with flood lamps³
- RCA81** Rebar cage anchor for RCA81
- RCA82** Rebar cage anchor for RCA82
- RCA83** Rebar cage anchor for RCA83

¹ All lens options are integral parts of component module and **must be installed at factory.**
² Opening of Component Module on site will void warranty.
³ Not recommended for Wall Wash distribution.

Pour Box rough-in housing ships separately and as a quick-ship if requested.



DEBRIS SHIELDS



LTV81DM / LTV82DM / LTV83DM Directional Marker

IN-GRADE



FEATURES

- Composite pour boxes ship ahead to simplify installation
- Sealed light engine prevents ingress of moisture and/or debris (IP66 compatibility pending)
- Bluetooth enabled field-aiming allows for wireless dimming
- 3000K, 4200K, and 5100K CCT
- Directional marker for drive way applications or path finding

ORDERING INFORMATION (Example)

LTV81DM/SP

36L5KUV

PL/RCA81

FIXTURE

Directional Marker
LTV81DMF Full ^{1,2}
LTV81DMH Half ^{1,2}
LTV82DF Full ^{1,2}
LTV82DH Half ^{1,2}
LTV83DMF Full ^{1,2}
LTV83DMH Half ^{1,2}

ELECTRICAL MODULE

Source	Color Temperature	Voltage
24L 24 LEDs	3K 3000K	UV Universal Voltage
12L 12 LEDs	4K 4200K	
18L 18 LEDs	5K 5100K	
9L 9 LEDs		
12L 12 LEDs		
6L 6 LEDs		

FIXTURE OPTIONS¹

RCA81	Rebar cage anchor for RCA81
RCA82	Rebar cage anchor for RCA82
RCA83	Rebar cage anchor for RCA83

¹ All lens options are integral parts of component module and **must be installed at factory.**

² Opening of Component Module on site will void warranty

Pour Box rough-in housing ships separately and as a quick-ship if requested.

LTV81DM



LTV83DM



LTV82DM



DEBRIS SHIELDS



LTV81



LTV82



LTV83

Minivault

In-grade Lighting

FEATURES

- Designed to be exposed to the most abusive environment of all lighting systems
- Introducing 3 diode energy efficient LED models
- In-grade and above grade components are solid heavy cast bronze
- Seals are engineered to perform flawlessly, sealing tight after relamping
- Available options include hex cell louver and prismatic spread lens



KLV360
KLV361



KLV365
KLV366

IN-GRADE

ORDERING INFORMATION (Example)

KLV361

12 VOLT LED

KLV361 LED

KLV366 LED

3L5K

ELECTRICAL MODULE

12 VOLT LED ONLY

Source	Color Temperature
3L 3 LEDs	2K 580nm
	3K 3000K
	4K 4200K
	5K 5100K

DB

FIXTURE FINISH

ALUMINUM

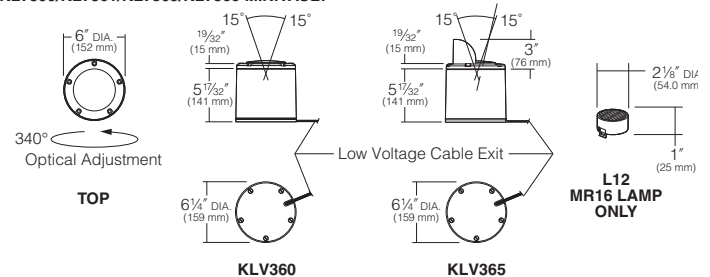
- BL** Black
- DB** Dark Bronze
- GR** Verde Green

PL73

FIXTURE OPTIONS

- HL73** Hex Cell Louver for brightness control³
- PL73** Prismatic Spread Lens softens lamp distribution. Best with flood lamps
- SL73** Spread Lens creates oval beam pattern. Best with spot lamps
- L12** Hex Cell Louver clips to MR16 lamp⁴

KLV360/KLV361/KLV365/KLV366 MINIVAULT



Micro-Flood

Accent Lighting

LANDSCAPE

EL218



NEW

FEATURES

- Unique swivel mount provides superior aiming without loosening over time
- Available in die-cast aluminum with powder coat paint finish for excellent value and rugged service
- Energy efficient LED module is now available in 12 volt and 120 thru 277 volts

ORDERING INFORMATION (Example)

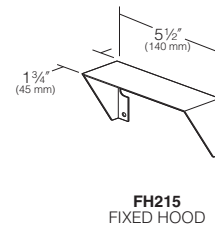
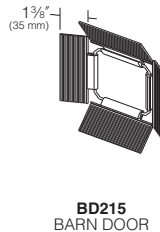
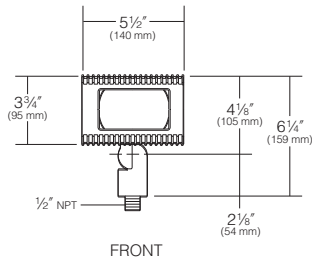
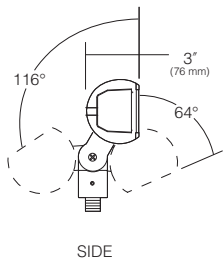
EL218S3	8L3K	UV	BL	BD215	EP17
FIXTURE		FIXTURE FINISH		MOUNTING OPTIONS	
EL218S3	350mA Spot	ALUMINUM		EP17	Landscape Light Post Mount
EL218F3	350mA Narrow Flood	BL	Black	JB1	Architectural J-box ³
EL218S5	550mA Spot	DB	Dark Bronze	J-25N	Portable Spear Mount ³
EL218F5	550mA Narrow Flood	GR	Verde Green	JBR-2	Brass In-grade J-box (2) 1/2" NPT in bottom
ELECTRICAL MODULE		VOLTAGE		JBR-3	Brass In-grade J-box (2) 3/4" NPT in bottom
Source	Color Temperature	Voltage		FIXTURE OPTIONS	
8L 8 LEDs, 10W For 350mA	3K 3000K	UV Universal Voltage from 120 to 277V with a ±10% tolerance		BD215	Optional Barn Doors ¹
8 LEDs, 16W For 550mA	4K 4200K			FH215	Optional Fixed Hood ²
	5K 5100K			JBR-21	Brass In-grade J-box (2) 1/2" NPT in sides, (2) 1/2" NPT in bottom
				JBR-24	Brass In-grade J-box (4) 1/2" NPT in sides, (2) 1/2" NPT in bottom
				JBR-30	Brass In-grade Staked J-box
				JBR-32	Brass In-grade Staked J-box with cord
				SM18	Stanchion Mount ³
				J-27N	Surface Mount ³
				JW	Architectural Wall Mount ³

¹ Extruded aluminum, fully adjustable. Provides beam and glare control.

² Formed .062 thick aluminum. Provides glare control.

³ Specify finish, **BL** - Black, **DB** - Dark Bronze, **GR** - Verde Green.

MICRO-FLOOD ACCENT LIGHTING



FEATURES

- LED light sources with sealed light engine
- Spot illumination for dramatic lighting, narrow flood distributions for accent lighting
- The Scarab series combines integrated design and application flexibility to produce a landscape accent system that meets the broadest range of illumination needs
- Unique swivel mount provides superior aiming without loosening over time
- Available in aluminum finish for excellent value and rugged service, or brass offering long life and natural weathering that blends into the landscape



LANDSCAPE

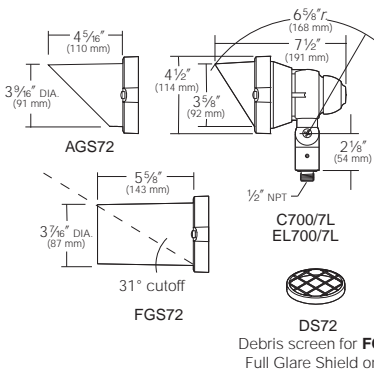
ORDERING INFORMATION (Example)

C700S3	7L3K	-	VG	AGS73	JBR-2
BRASS FIXTURE		FIXTURE FINISH		FIXTURE OPTIONS	
C700S3 350mA Spot		BRASS		7 LED	
C700F3 350mA Narrow Flood		NB Natural Brass		AGS72 Adjustable Glare Shield ^{1,2}	
ALUMINUM FIXTURE		VG Verde Green Patina		FGS72 Full Glare Shield ^{1,2}	
EL700S3 350mA Spot		ALUMINUM		DS72 Debris Screen for Full Glare Shield	
EL700F3 350mA Narrow Flood		BL Black		9 LED	
		DB Dark Bronze		AGS73 Adjustable Glare Shield ^{1,2}	
		GR Verde Green		FGS73 Full Glare Shield ^{1,2}	
				DS73 Debris Screen for Full Glare Shield	
				12 LED	
				AGS74 Adjustable Glare Shield ^{1,2}	
				FGS74 Full Glare Shield ^{1,2}	
				DS74 Debris Screen for Full Glare Shield	
ELECTRICAL MODULE		VOLTAGE		MOUNTING OPTIONS	
Source	Color Temperature	UV Universal Voltage from 120 to 277V with a ±10% tolerance		120 VOLT MOUNTING OPTIONS	
7L 7 LEDs, 9W	3K 3000K			EP17 Landscape Light Post Mount	JBR-24 Brass in-grade J-box (4) 1/2" NPT in sides, (2) 1/2" NPT in bottom
9L 9 LEDs, 11W	4K 4200K			JB1 Architectural J-box ²	JBR-30 Brass in-grade staked J-box
12L 12 LEDs, 14W	5K 5100K			J-25N Portable Spear Mount ²	JBR-32 Brass in-grade staked J-box with cord
				JBR-2 Brass in-grade J-box (2) 1/2" NPT in bottom	SM18 Stanchion Mount ²
				JBR-3 Brass in-grade J-box (2) 3/4" NPT in bottom	J-27N Surface Mount ²
				JBR-21 Brass in-grade J-box (2) 1/2" NPT in sides, (2) 1/2" NPT in bottom	JWBR Brass Architectural Wall Mount ²

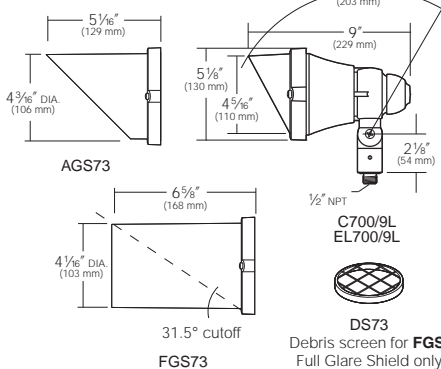
¹ Replaces standard lens ring/hood on fixture.
² Finish to match fixture. Specify finish, **BL** - Black, **DB** - Dark Bronze, **GR** - Verde Green.

SCARAB ACCENT LIGHTING

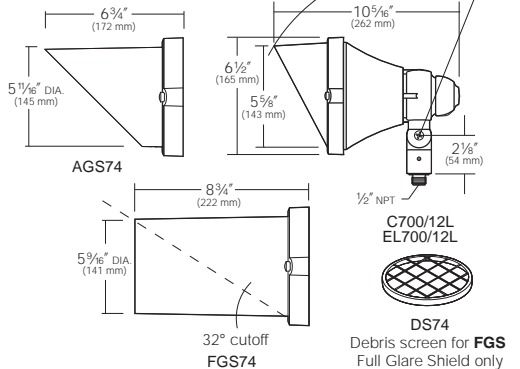
C700/7L
EL700/7L



C700/9L
EL700/9L



C700/12L
EL700/12L



Traditional

Path Lighting

LANDSCAPE



FEATURES

- Kim was one of the first producers of quality path lighters. These classic products have been totally redesigned in die-cast brass and aluminum
- Under-hood reflector increases efficiency. The solid hood support also allows access for lamp maintenance without the use of a single tool
- Because of a wide selection of hood designs, stem lengths and finishes, selecting the combination of features that best suits a specific application is easy

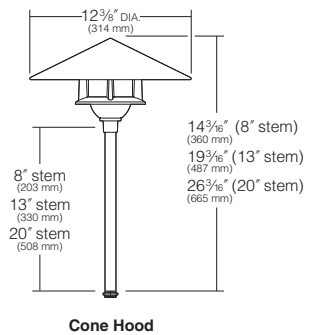
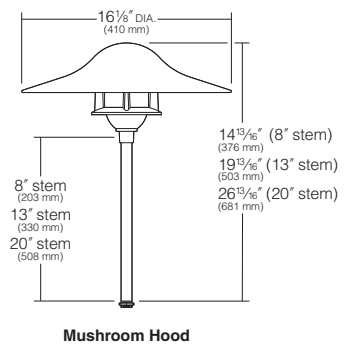
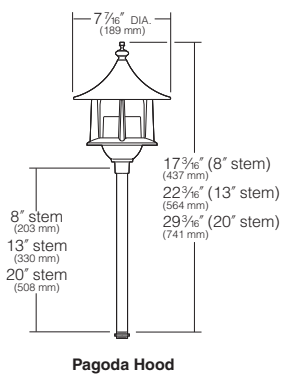
ORDERING INFORMATION (Example)

KLV188	3L3K	UV	BL	H60BL	JBR-2
ALUMINUM FIXTURE			FIXTURE FINISH	HOODS	MOUNTING OPTIONS
12 VOLT ¹			ALUMINUM	ALUMINUM	12 VOLT
KLV188 8" stem ht. LED			BL Black	H60BL Pagoda, Black	EP17 Landscape Light Post Mount
KLV190 13" stem ht.			DB Dark Bronze	H60DB Pagoda, Dark Bronze	KLV400 Spear Mount ²
KLV195 20" stem ht.			GR Verde Green	H60GR Pagoda, Verde Green	120 VOLT
120 VOLT				H70BL Mushroom, Black	EP17 Landscape Light Post Mount
EL188 8" stem ht. LED				H70DB Mushroom, Dark Bronze	JB1 Architectural J-box ²
EL190 13" stem ht.				H70GR Mushroom, Verde Green	J-25N Portable Spear Mount
EL195 20" stem ht.				H80BL Cone, Black	JBR-2 In-grade J-box (2) 1/2" NPT in bottom
BRASS FIXTURE				H80DB Cone, Dark Bronze	JBR-3 In-grade J-box (2) 3/4" NPT in bottom
12 VOLT ¹				H80GR Cone, Verde Green	JBR-21 In-grade J-box (2) 1/2" NPT in sides, (2) 1/2" NPT in bottom
KLV189 8" stem ht. LED				COPPER	JBR-24 In-grade J-box (4) 1/2" NPT in sides, (2) 1/2" NPT in bottom
KLV192 13" stem ht.				H60NB Pagoda, Natural	JBR-30 Brass in-grade staked J-box
KLV197 20" stem ht.				H60VG Pagoda, Verde Green Patina	JBR-32 Brass in-grade staked J-box with cord
120 VOLT				H70NB Mushroom, Natural	
BN189 8" stem ht. LED				H70VG Mushroom, Verde Green Patina	
BN192 13" stem ht.				H80NB Cone, Natural	
BN197 20" stem ht.				H80VG Cone, Verde Green Patina	

VOLTAGE
120 VOLT LED ONLY
Voltage
UV Universal Voltage from 120 to 277V with a ±10% tolerance

ELECTRICAL MODULE
12/120 VOLT LED ONLY
Source Color Temperature
3L 3 LEDs L2K 580nm
L3K 3000K
L4K 4200K
L5K 5100K

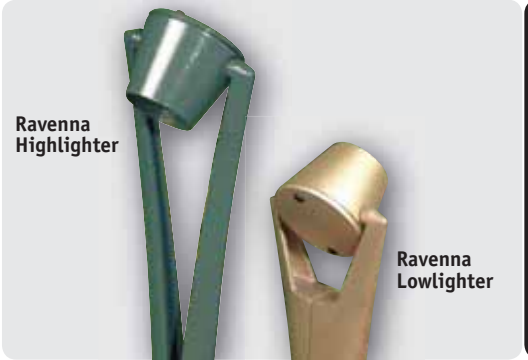
¹ Remote transformer required.
² Specify finish, **BL** - Black, **DB** - Dark Bronze, **GR** - Verde Green.



Highlighter & Lowlighter

FEATURES

- Available in both 12 volt and 120 volt, the Ravenna Highlighter and Lowlighter companions are highly adaptable to a range of landscape accent and path lighting solutions
- Elegance and style in leaf-like design with slender body that blends into natural surroundings
- 120 volt option includes integrated electronic stepdown transformer when distance between fixtures and power source make 12 volt distribution impractical



LANDSCAPE

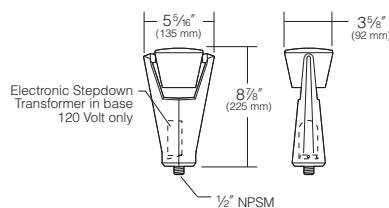
ORDERING INFORMATION (Example)

BN176		3L5K		UV	VG	HL	EP17
HIGHLIGHTER FIXTURE		ELECTRICAL MODULE		FIXTURE FINISH		FIXTURE OPTIONS	MOUNTING OPTIONS
12 VOLT ¹		12/120 VOLT LED ONLY		BRASS		HL Hex Cell Louver for brightness control ²	EP17 Landscape Light Post Mount, 12V & 120V
KLV176 Brass	LED	Source Color Temperature		NB Natural Brass		PL Prismatic Spread Lens softens lamp distribution. Best w/ flood ²	KLV400 Spear Mount, 12V ³
KLV171 Aluminum		3L 3 LEDs	L2K 580nm	VG Verde Green Patina		SL Linear Spread Lens creates oval beam pattern. Best w/ spot ²	J-25N Portable Spear Mount, 120V, Lowlighter only
120 VOLT			L3K 3000K	ALUMINUM			KLV405 Surface Mount, 12V, Lowlighter only ¹
BN176 Brass	LED		L4K 4200K	BL Black			KLV415 Extension Mount, 12V, Lowlighter only ³
EL171 Aluminum			L5K 5100K	DB Dark Bronze			JB1 Architectural J-box, 12V & 120V ³
LOWLIGHTER FIXTURE		L2K = 580nm LED		VOLTAGE			JBR-2 In-grade J-box (2) 1/2" NPT in bottom, 12V & 120V
12 VOLT ¹		L3K = 3000 Kelvin LED	L4K = 4200 Kelvin LED	120 VOLT LED ONLY			JBR-3 In-grade J-box (2) 3/4" NPT in bottom, 12V & 120V
KLV276 Brass	LED	L5K = 5100 Kelvin LED		Voltage			JBR-21 In-grade J-box (2) 1/2" NPT in sides, (2) 1/2" NPT in bottom, 12V & 120V
KLV271 Aluminum				UV Universal Voltage from 120 to 277V with a ±10% tolerance			JBR-24 In-grade J-box (4) 1/2" NPT in sides, (2) 1/2" NPT in bottom, 12V & 120V
120 VOLT							JBR-30 Brass in-grade staked J-box, 12V & 120V
BN276 Brass	LED						JBR-32 Brass in-grade staked J-box with cord, 120V
EL271 Aluminum							SM18 Stanchion Mount, 12V & 120V ³
							J-27N Surface Mount, 120V, Lowlighter only
							JWBR Brass Architectural Wall Mount, 120V, Lowlighter only ⁴
							JW Architectural Wall Mount, 120V, Lowlighter only

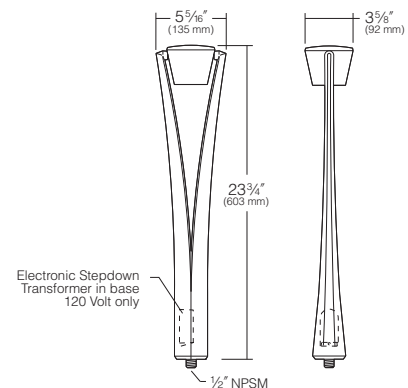
¹ Remote transformer required.
² Inserts behind lens.
³ Specify finish, **BL** - Black, **DB** - Dark Bronze, **GR** - Verde Green.

⁴ Specify finish, **NB** - Natural Brass, **VG** - Verde Green Patina.

RAVENNA LOWLIGHTER



RAVENNA HIGHLIGHTER

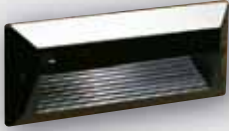


Step Light

Path Lighting

LANDSCAPE

KLV810/KLV817
EL810/EL817
EL815/EL816



KLV800/KLV807
EL800/EL805
EL806/EL807

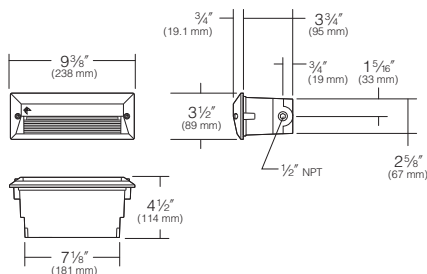
FEATURES

- Low level, unobtrusive directional lighting that is ideal for installation in concrete, brick and masonry stairways
- Available in 12 volt, 120 volt thru 277 volt options
- New energy efficient 3 and 9 diode LEDs available in Universal Voltage 120 to 277V
- The Step Light's die-cast, low copper alloy aluminum housing and tempered prismatic glass is designed for long life

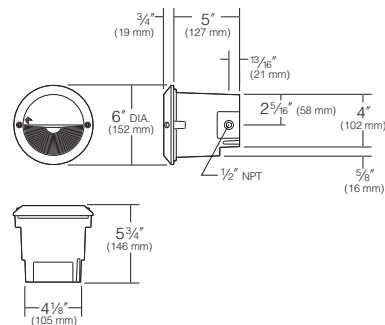
ORDERING INFORMATION (Example)

3L5K		UV	BL
ELECTRICAL MODULE		VOLTAGE	
12 VOLT LED		120/277 VOLT LED	
KLV807 Rectangular	Source	Voltage	
KLV817 Round	Color Temperature	UV Universal Voltage from 120 to 277V with a ±10% tolerance	
	3L 3 LEDs		
	2K 580nm		
	3K 3000K		
	4K 4200K		
	5K 5100K		
120/277 VOLT LED		120/277 VOLT LED	
EL807 Rectangular	Source	Voltage	
EL817 Round	Color Temperature	UV Universal Voltage from 120 to 277V with a ±10% tolerance	
	3L 3 LEDs		
	2K 580nm		
	3K 3000K		
	4K 4200K		
	5K 5100K		
FIXTURE FINISH			
ALUMINUM			
BL Black			
DB Dark Bronze			
GR Verde Green			

RECTANGULAR



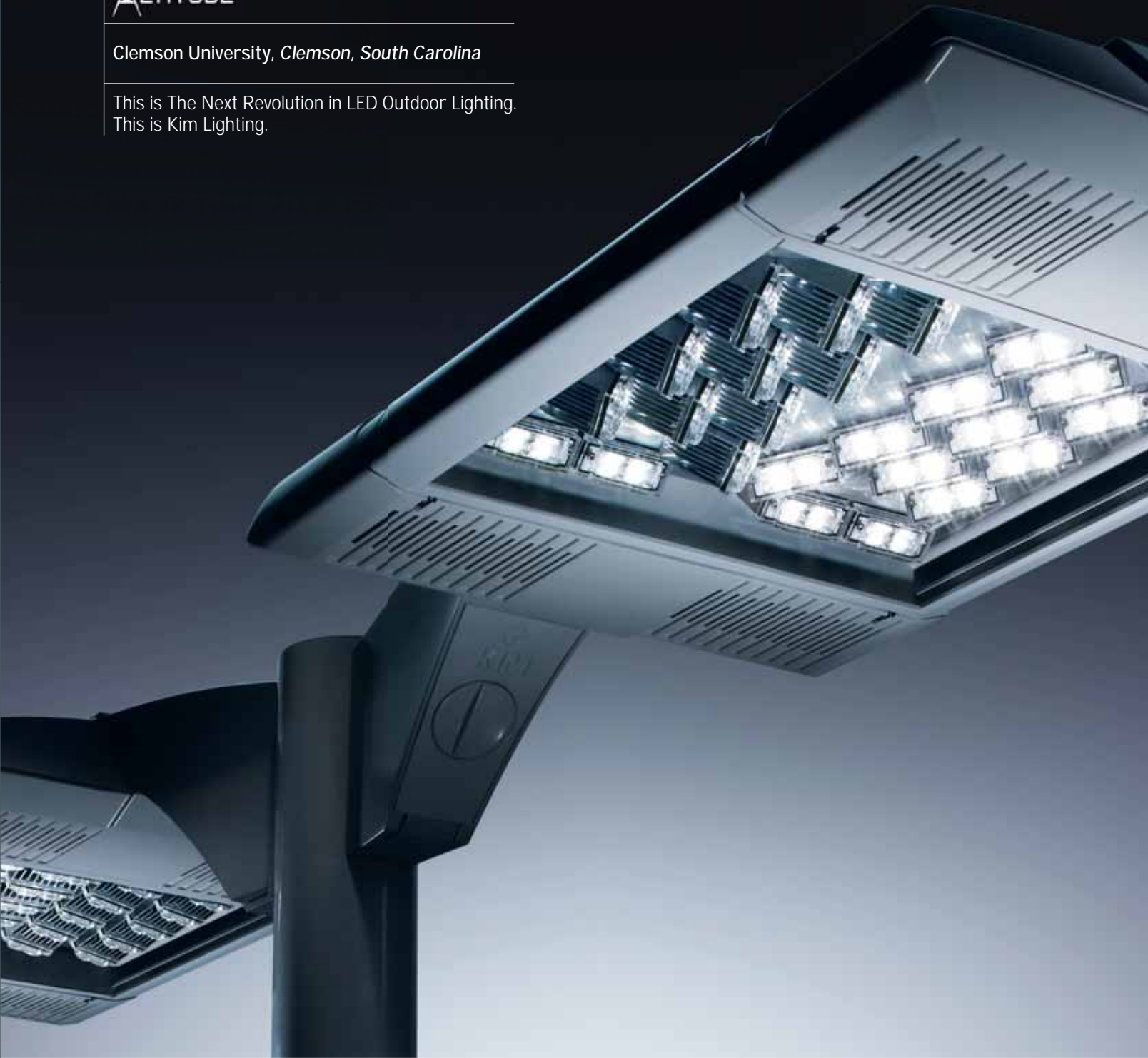
ROUND



ALTITUDE™

Clemson University, *Clemson, South Carolina*

This is The Next Revolution in LED Outdoor Lighting.
This is Kim Lighting.




KIM LIGHTING

www.kimlighting.com/products/altitude



BRAND PROFILE

Architectural Area Lighting (AAL) is a leading provider of architectural outdoor fixtures designed and manufactured to meet the elegant aesthetic and superior performance needs of its audiences. AAL offers a broad range of products including period and contemporary area lighting, floodlights, steplights, wall sconces, bollards, decorative poles and arms.

PRODUCT OFFERING

AAL's product series are scaled in multiple sizes for use at varied elevations throughout a site and employ different materials to expand the specifier's choice in complementing architectural design themes. The light sources employed in AAL's products are the most efficient sources commercially available, including AAL's exclusive MicroCore™ LED technology. AAL's highly engineered, quality lighting products, can be specified for use in mixed-use retail, commercial, educational, residential developments, municipal and downtown renovations.





ARCHITECTURAL AREA LIGHTING

PERIOD

PKWS, PKWM, PKWB	Parkway Square™ Small, Medium, Bollard.....	208
PROV, PROL	Providence® Medium, Large	209
PROS, PRSC, PROB	Providence® Small, Sconce, Bollard.....	210
PRMN, PRMS, PRMD	Promenade™	211
FGS, FGL	Federal Globe™ Small, Large	212

CONTEMPORARY

SLVT	Largent™	213
INDA/INDF/INDC	Indirect™ - Cubic Indirect	214
SP1, SP2, SPB	Spectra™ Large, Small, Bollard	215
UCM, UCL	Universe® Medium, Large	216
UCS, UCB	Universe® Small, Bollard	217
FH	Flex™	218
FM	miniFlex™	219

WALL SCONCES

ES/ME	eSconce® – mini-eSconce.....	220
-------	------------------------------	-----

STEPLIGHTS

ASL7/ASL10	Steplights Small, Large	221
------------	-------------------------------	-----

FLOODLIGHTS

ON, OS	Oculus® Nano, Small	222
--------	---------------------------	-----

BOLLARDS

FCB5	Fair Oaks™ Collection	223
TRD/TSQ	Traditional Concrete	224
CB9, CB12, CB16/CB18	Concrete	225

POLES, ARMS, ACCESSORIES

Premium Poles	226
Arms/Accessories	227

PKWS/PKWM/PKWB

Parkway Square™ Small/Medium/Bollard

PERIOD



- Three hood styles and six decorative screen options
- Custom mounting options, including new 3" square pole
- Tool-less access
- Cast aluminum struts
- Full cutoff options
- IP65 rated for horizontal configurations, and IP66 rated for vertical configurations
- Powder coat finish in 13 standard colors with a polymer primer sealer

ORDERING INFORMATION

PKWS/PKWM - [] - [] - [] - [] - [] - [] - []

MODEL	
<i>Slips over a 3" open top pole.</i>	
PKWS	Small Scale
PKWM	Medium Scale
PKWB	Bollard

HOODS	
ANG	Angled hood
STR	Straight hood
IND	Indirect hood
DBL	Double hood

OPTICS	
Horizontal LED - Available with ANG hood and LEDs only. Flat glass lens.	
T1	IES Type 1 distribution. PKWS & PKWB only.
T2	IES Type 2 distribution. PKWM only.
T3	IES Type 3 distribution
T4	IES Type 4 distribution PKWM only.
T5	IES Type 5 distribution
Vertical LED	
GLA	Frosted glass diffuser PKWS only.
VL3	Asymmetric distribution PKWM only.
VL5	Symmetric distribution PKWM only.

DIMENSIONS

SMALL
21" SQ x 21.75" H - Vertical
14" SQ x 23" H - Horizontal

LAMP/BALLAST	
PKWS	
9LED-WW	9 LED array. Warm white (3000K). GLA only.
9LED-NW	9 LED array. Neutral white (4200K). GLA only.
9LED-BW	9 LED array. Bright white (5100K). GLA only.
18LED-WW	18 LED array. Warm white (3000K). GLA only.
18LED-NW	18 LED array. Neutral white (4200K). GLA only.
18LED-BW	18 LED array. Bright white (5100K). GLA only.
36LED-WW	36 LED array. Warm white (3000K).
36LED-NW	36 LED array. Neutral white (4200K).
36LED-BW	36 LED array. Bright white (5100K).
PKWM	
55LED-BW	42 light emitting diode array. Bright white (5000K). VL3 & VL5 only.
60LED-WW	MicroEmitter™ 60 light emitting diode array. Warm white (3000K). Class 1, 120 thru 277 volt. Horizontal LED only.
60LED-NW	MicroEmitter™ 60 light emitting diode array. Neutral white (4000K). Class 1, 120 thru 277 volt. Horizontal LED only.
60LED-BW	MicroEmitter™ 60 light emitting diode array. Bright white (5000K). Class 1, 120 thru 277 volt. Horizontal LED only.
PKWB	
6LED-WW	6 LED array. Warm white (3000K). GLA only.
6LED-NW	6 LED array. Neutral white (4200K). GLA only.
6LED-BW	6 LED array. Bright white (5100K). GLA only.
12LED-WW	12 LED array. Warm white (3000K). GLA only.
12LED-NW	12 LED array. Neutral white (4200K). GLA only.
12LED-BW	12 LED array. Bright white (5100K). GLA only.
36LED-WW	36 LED array. Warm white (3000K). Class 2, 120 thru 277 volt. Horizontal LED only.
36LED-NW	36 LED array. Neutral white (4200K). Class 2, 120 thru 277 volt. Horizontal LED only.
36LED-BW	36 LED array. Bright white (5100K). Class 2, 120 thru 277 volt. Horizontal LED only.

DECORATIVE SCREENS (OPTIONAL)	
Painted to match fixture. Also available in stainless steel or copper. Not available with horizontal or horizontal LED optics.	
DSIN	Infinity design
DSOF	Offset design
DSWH	Wheat design
DSTR	Trio design
DSSH	Shutter design
DSCS	Custom design (<i>Contact factory</i>)

OPTIONS	
ULS	Upper lens shield. Reduces light above hood.
TEN	2 3/8" O.D. x 4" long tenon. Required for all poles, except for PS4. GLA only.
TEN23	Tenon adaptor slips over a 2 3/8" O.D. x 4" long tenon. Required for poles by others or used in conjunction with the TEN pole option by AAL. GLA only.
LDL	Lightly diffused lens
COP	Brushed copper hood
STS	Stainless steel hood
SSP	Screen in brushed stainless steel
CPR	Screen in brushed copper

COLORS	
AWT	Arctic White
BLK	Black
MTB	Matte Black
DGN	Dark Green
DBZ	Dark Bronze
WRZ	Weathered Bronze
BRM	Metallic Bronze
VBL	Verde Blue
CRT	Corten
MAL	Matte Aluminum
MDG	Medium Grey
ATG	Antique Green
LGY	Light Grey
RAL/PREMIUM COLOR	Provide a RAL 4 digit color number
CUSTOM COLOR	Please provide color chip for matching

MOUNTING	
Wall Mount - Mounting plate provided. Hardware by others.	
PSWM-TU	Fixture above with arm mounted up.
PSWM-TD	Fixture above with arm mounted down.
PSWM-BU	Fixture below with arm mounted up.
PSWM-BD	Fixture below with arm mounted down.
Pole Mount - Arm mounts to side of a 4" O.D. pole.	
PSA-TU	Fixture above with arm mounted up.
PSA-TD	Fixture above with arm mounted down.
PSA-BU	Fixture below with arm mounted up.
PSA-BD	Fixture below with arm mounted down.
PM	Pier mount (PKWB only)

PROL/PROV

Providence® Large and Medium LED

PERIOD

- MicroCore® technology
- Canted design provides even illumination with less glare
- Upgrade kits available
- 0-10v dimming ready
- DLC pending
- Surge protection included
- Type 2, 3, 4, 5, Custom, Left & Right distributions

- IP65 constructed
- DLC pending
- Powder coat finish in 13 standard colors with a polymer primer sealer



ORDERING INFORMATION

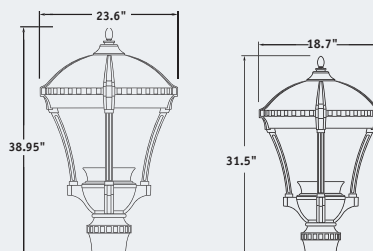
PROV/PROL

MICROCORE LED (Class 2, 120 thru 277 volt)	
PROV (32 light emitting diode array, 75 watts)	
<i>Warm White (3000K)</i>	
T2-32LED-3K-700	IES Type 2 distribution
T3-32LED-3K-700	IES Type 3 distribution
T4-32LED-3K-700	IES Type 4 distribution
T5-32LED-3K-700	IES Type 5 distribution
TL-32LED-3K-700	IES 45° Left distribution
TR-32LED-3K-700	IES 45° Right distribution
<i>Neutral White (4200K)</i>	
T2-32LED-4K-700	IES Type 2 distribution
T3-32LED-4K-700	IES Type 3 distribution
T4-32LED-4K-700	IES Type 4 distribution
T5-32LED-4K-700	IES Type 5 distribution
TL-32LED-4K-700	IES 45° Left distribution
TR-32LED-4K-700	IES 45° Right distribution
<i>Bright White (5100K)</i>	
T2-32LED-5K-700	IES Type 2 distribution
T3-32LED-5K-700	IES Type 3 distribution
T4-32LED-5K-700	IES Type 4 distribution
T5-32LED-5K-700	IES Type 5 distribution
TL-32LED-5K-700	IES 45° Left distribution
TR-32LED-5K-700	IES 45° Right distribution
PROL (56 light emitting diode array, 132 watts)	
<i>Warm White (3000K)</i>	
T2-56LED-3K-700	IES Type 2 distribution
T3-56LED-3K-700	IES Type 3 distribution
T4-56LED-3K-700	IES Type 4 distribution
T5-56LED-3K-700	IES Type 5 distribution
TL-56LED-3K-700	IES 45° Left distribution
TR-56LED-3K-700	IES 45° Right distribution
<i>Neutral White (4200K)</i>	
T2-56LED-4K-700	IES Type 2 distribution
T3-56LED-4K-700	IES Type 3 distribution
T4-56LED-4K-700	IES Type 4 distribution
T5-56LED-4K-700	IES Type 5 distribution
TL-56LED-4K-700	IES 45° Left distribution
TR-56LED-4K-700	IES 45° Right distribution
<i>Bright White (5100K)</i>	
T2-56LED-5K-700	IES Type 2 distribution
T3-56LED-5K-700	IES Type 3 distribution
T4-56LED-5K-700	IES Type 4 distribution
T5-56LED-5K-700	IES Type 5 distribution
TL-56LED-5K-700	IES 45° Left distribution
TR-56LED-5K-700	IES 45° Right distribution

MICROEMITTERLED (Class 1, 120 thru 277 volt, 350mA)	
PROL (108 light emitting diode array, 124 watts)	
<i>Warm White (3000K)</i>	
PROL-T2-108LED-WW	IES Type 2 distribution
PROL-T3-108LED-WW	IES Type 3 distribution
PROL-T4-108LED-WW	IES Type 4 distribution
PROL-T5-108LED-WW	IES Type 5 distribution
<i>Neutral White (4200K)</i>	
PROL-T2-108LED-WW	IES Type 2 distribution
PROL-T3-108LED-WW	IES Type 3 distribution
PROL-T4-108LED-WW	IES Type 4 distribution
PROL-T5-108LED-WW	IES Type 5 distribution
<i>Bright White (5100K)</i>	
PROL-T2-108LED-BW	IES Type 2 distribution
PROL-T3-108LED-BW	IES Type 3 distribution
PROL-T4-108LED-BW	IES Type 4 distribution
PROL-T5-108LED-BW	IES Type 5 distribution
PROV (60 light emitting diode array, 65 watts)	
<i>Warm White (3000K)</i>	
PROV-T2-60LED-WW	IES Type 2 distribution
PROV-T3-60LED-WW	IES Type 3 distribution
PROV-T4-60LED-WW	IES Type 4 distribution
PROV-T5-60LED-WW	IES Type 5 distribution
<i>Neutral White (4200K)</i>	
PROV-T2-60LED-WW	IES Type 2 distribution
PROV-T3-60LED-WW	IES Type 3 distribution
PROV-T4-60LED-WW	IES Type 4 distribution
PROV-T5-60LED-WW	IES Type 5 distribution
<i>Bright White (5100K)</i>	
PROV-T2-60LED-BW	IES Type 2 distribution
PROV-T3-60LED-BW	IES Type 3 distribution
PROV-T4-60LED-BW	IES Type 4 distribution
PROV-T5-60LED-BW	IES Type 5 distribution
Comes complete with LEDs and driver. Class 1, 350mA drive current.	

OPTIONS	
WIH	In fixture wireless control module. MicroCore only.
SPK	Decorative cast aluminum spikes on the top and bottom of the four vertical struts.
PFN	Cast aluminum finial painted a brass color.
BPS	Cast aluminum struts painted a brass color - spikes also painted brass if option SPK chosen
LDL	Lightly diffused lens. Frosted, flat tempered glass lens has a lightly diffused finish to minimize the lamp and reflector brightness
CLR	Clear flat lens
HSS	House side shield. MicroCore only.
PT4	Post top fitter for a 4"/100mm O.D. pole. PROL only.
PCA-T	Rotatable photocell housing

COLORS	
AWT	Arctic White
BLK	Black
MTB	Matte Black
DGN	Dark Green
DBZ	Dark Bronze
WRZ	Weathered Bronze
BRM	Metallic Bronze
VBL	Verde Blue
CRT	Corten
MAL	Matte Aluminum
MDG	Medium Grey
ATG	Antique Green
LGY	Light Grey
RAL/PREMIUM COLOR	Provide a RAL 4 digit color number
CUSTOM COLOR	Please provide a color chip for matching



WT : 47 lbs. EPA 1.33

WEIGHT: 29 lbs EPA: 0.96

Please visit www.aal.net for mounting options.



PROS/PRSC/PROB

Providence® Small, Sconce, Bollard

PERIOD



- Available with highly efficient LEDs
 - Available in Type 1, 3 or 5 distribution patterns
 - Warm white (3000K), neutral white (4000K), bright white (5000K)
- Die cast aluminum construction for reliability, robust construction and corrosion resistance
- Tool-less access and removal of lamp and ballast
- The sconce available with downlight single source; uplight/downlight with single source; or uplight/downlight with dual source; also available with R111 as secondary opposing output source
- IP55 constructed
- Powder coat finish in 13 standard colors with a polymer primer sealer

ORDERING INFORMATION

PROS/PRSC/PROB

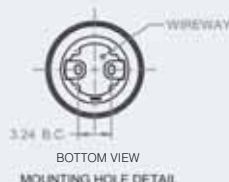
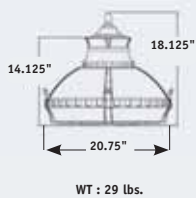
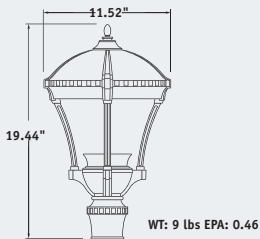
MODEL	
PROS-X	Horizontal LED. Full cutoff.
PRSC-X	Horizontal LED
PROB	Symmetric horizontal optical system

LAMP/BALLAST	
PROS (120 thru 277 volt) 18 light emitting diode array, 16.4 watts.	
18LED-WW	IES Type 1. Warm white (3000K)
18LED-NW	IES Type 1. Neutral white (4200K)
18LED-BW	IES Type 1. Bright white (5100K)
27 light emitting diode array, 33.6 watts.	
27LED-WW	IES Type 3. Warm white (3000K)
27LED-NW	IES Type 3. Neutral white (4200K)
27LED-BW	IES Type 3. Bright white (5100K)
36 light emitting diode array, 32.7 watts.	
36LED-WW	IES Type 5. Warm white (3000K)
36LED-NW	IES Type 5. Neutral white (4200K)
36LED-BW	IES Type 5. Bright white (5100K)
PRSC (36 light emitting diode array, 37 watts. 120 thru 277 volt)	
36LED-WW	Warm white (3000K)
36LED-NW	Neutral white (4200K)
36LED-BW	Bright white (5100K)
PROB (120 thru 277 volt)	
18LED-WW	18 light emitting diode array. 19 watts. Warm white (3000K). Type 1.
18LED-NW	18 light emitting diode array 19 watts. Neutral white (4200K). Type 1.
18LED-BW	18 light emitting diode array (19 watt). Bright white (5100K). IES Type 1.
27LED-WW	27 light emitting diode array (29 watt). Warm white (3000K). IES Type 3.
27LED-NW	27 light emitting diode array (29 watt). Neutral white (4200K). IES Type 3.
27LED-BW	27 light emitting diode array (29 watt). Bright white (5100K). IES Type 3.
36LED-WW	36 light emitting diode array (37 watt). Warm white (3000K). IES Type 5.
36LED-NW	36 light emitting diode array (37 watt). Neutral white (4200K). IES Type 5.
36LED-BW	36 light emitting diode array (37 watt). Bright white (5100K). IES Type 5.

OPTIONS	
PROS	
SPK	Decorative cast aluminum spikes on the top and bottom of the four vertical struts
PFN	Cast aluminum finial painted a brass color
BPS	Cast Aluminum Struts painted a brass color spikes also painted brass if option SPK chosen.
PRSC	
DSB	Dome spikes painted brass color
DSP	Dome spikes painted to match fixture color.
SCB	Surface conduit box. 1/2" NPT inlets on each side. Gasketed bottom cover for wire access. Standard finish is white.
PROB	
LDL	Lightly diffused lens
PFC	Painted brass finial cap
BPS	Painted brass struts
DSC	Dark sky cap. Matte black body cap

MOUNTING	
PROS - Pole Mount	
One piece cast aluminum arms are prewired with quick disconnects. Wall mounted arms do not include wall mounting hardware. Pole mounted arms use 3/8-16 hex head bolts for attaching to the pole.	
TRA59D	Cast scroll arm 4" O.D. Side mount below arm
TRA59U	Cast scroll arm 4" O.D. Side mount above arm
PROS - Wall Mount	
WMA59D	Cast scroll arm wall mount below arm
WMA59U	Cast scroll arm Wall mount above arm
PROB	
FL	42" overall height x 5" dia, extruded fluted body
RD	42" overall height x 5" dia, extruded smooth body
PM	Semi recessed pier mount

DIMENSIONS



COLORS	
AWT	Arctic White
BLK	Black
MTB	Matte Black
DGN	Dark Green
DBZ	Dark Bronze
WRZ	Weathered Bronze
BRM	Metallic Bronze
VBL	Verde Blue
CRT	Corten
MAL	Matte Aluminum
MDG	Medium Grey
ATG	Antique Green
LGY	Light Grey
RAL/PREMIUM COLOR	Provide a RAL 4 digit color number
CUSTOM COLOR	Please provide a color chip for matching

PRMN/PRMS/PRMD

Promenade™

- Features highly efficient, exclusive MicroEmitter™ technology
- Upgrade kits available
- DLC approved (Type 3 and 5, 5100K)
- Features exclusive LifeShield™ Protection System
- 0-10v dimming capabilities

- All cast aluminum construction and stainless steel hardware
- IP66
- Powder coat finish in 13 standard colors with a polymer primer sealer

*48LED-3K-700, 48LED-4K-700, 48LED-5K-700 will be available in September, 2013



PERIOD

ORDERING INFORMATION

PRMN/PRMS/PRMD

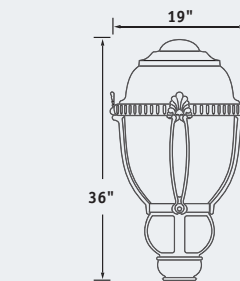
MODEL	
PRMN 60 light emitting diode array (65 watts). 120 thru 277 volt.	
<i>Warm White (3000K)</i>	
PRMN-T2-60LED-WW	IES Type 2
PRMN-T3-60LED-WW	IES Type 3
PRMN-T4-60LED-WW	IES Type 4
PRMN-T5-60LED-WW	IES Type 5
<i>Neutral White (4200K)</i>	
PRMN-T2-60LED-NW	IES Type 2
PRMN-T3-60LED-NW	IES Type 3
PRMN-T4-60LED-NW	IES Type 4
PRMN-T5-60LED-NW	IES Type 5
<i>Bright White (5100K)</i>	
PRMN-T2-60LED-BW	IES Type 2
PRMN-T3-60LED-BW	IES Type 3 distribution.
PRMN-T4-60LED-BW	IES Type 4
PRMN-T5-60LED-BW	IES Type 5
PRMS 60 light emitting diode array (73 watts). 120 thru 277 volt.	
<i>Warm White (3000K)</i>	
PRMS-T2-60LED-WW	IES Type 2
PRMS-T3-60LED-WW	IES Type 3
PRMS-T4-60LED-WW	IES Type 4
PRMS-T5-60LED-WW	IES Type 5
<i>Neutral White (4200K)</i>	
PRMS-T2-60LED-NW	IES Type 2
PRMS-T3-60LED-NW	IES Type 3
PRMS-T4-60LED-NW	IES Type 4
PRMS-T5-60LED-NW	IES Type 5
<i>Bright White (5100K)</i>	
PRMS-T2-60LED-BW	IES Type 2
PRMS-T3-60LED-BW	IES Type 3
PRMS-T4-60LED-BW	IES Type 4
PRMS-T5-60LED-BW	IES Type 5

PRMD 60 light emitting diode array (65 watts). 120 thru 277 volt.	
<i>Warm White (3000K)</i>	
PRMD-T2-60LED-WW	IES Type 2
PRMD-T3-60LED-WW	IES Type 3
PRMD-T4-60LED-WW	IES Type 4
PRMD-T5-60LED-WW	IES Type 5
<i>Neutral White (4200K)</i>	
PRMD-T2-60LED-NW	IES Type 2
PRMD-T3-60LED-NW	IES Type 3
PRMD-T4-60LED-NW	IES Type 4 distribution.
PRMD-T5-60LED-NW	IES Type 5 distribution.
<i>Bright White (5100K)</i>	
PRMD-T2-60LED-BW	IES Type 2 distribution.
PRMD-T3-60LED-BW	IES Type 3 distribution.
PRMD-T4-60LED-BW	IES Type 4 distribution.
PRMD-T5-60LED-BW	IES Type 5 distribution.

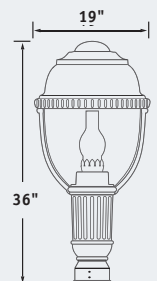
COLORS	
AWT	Arctic White
BLK	Black
MTB	Matte Black
DGN	Dark Green
DBZ	Dark Bronze
WRZ	Weathered Bronze
BRM	Metallic Bronze
VBL	Verde Blue
CRT	Corten
MAL	Matte Aluminum
MDG	Medium Grey
ATG	Antique Green
LGY	Light Grey
RAL/ PREMIUM COLOR	Provide a RAL 4 digit color number
CUSTOM COLOR	Please provide a color chip for matching

OPTIONS	
CHC	Copper hood cover
BHC	Brass hood cover. PRMS & PRMN only.
BPS	Brass color painted struts. PRMS & PRMN only.
CHM	Glass chimney, with brass holder.
LDL	Lightly diffused lens
PT5	Post top adaptor for a 5" O.D. pole. PRMS & PRMN only.
MAT	Cast adapter to mount to a 2 3/8" O.D. mast arm (PRMD only)
FTG	Flat glass lens in replacement of standard acrylic drop lens. PRMD only.

DIMENSIONS



PRMN WT: 38 lbs. EPA: 2.75 IP: 66 Slip over 4" O.D. pole



PRMS WT: 38 lbs. EPA 2.75



PRMD 36" x 19" DIA
WT: 34 lbs EPA: 2.10

FGS/FGL

Federal Globe™ Small/Large Scale

PERIOD



- Two fitter designs to accommodate architectural requirements
- Available with highly efficient LEDs
 - IES Type 2, 3, 4 or 5 distribution
 - Three standard color temperatures: 3K, 4K or 5K
- Cutoff shield available to reduce uplight
- Integrated hinged capital offers tool-less access to lamp and ballast compartments
- IP66 rated (SAL) IP55 rated (all others)
- Powder coat finish in 13 standard colors with a polymer primer sealer

ORDERING INFORMATION

FGS/FGL - [] - [] - [] - [] - [] - [] - []

MODEL	
FGS	Federal Globe Small. Post top mount. Slips over a 4" O.D. pole.
FGL	Federal Globe Large. Post top mount. Slips over a 5" O.D. pole.

DECORATIVE STYLE	
RB	Rib Fitter Design
LF	Leaf Fitter Design

GLOBE STYLE	
LL3	Lindy® Lens Globe, Type 3
LL5	Lindy® Lens Globe, Type 5
SAL	Standard Acorn Globe. One-piece.
PA3	Prismatic Acorn Globe, Type 3 (FGL)
PA5	Prismatic Acorn Globe, Type 5 (FGL)

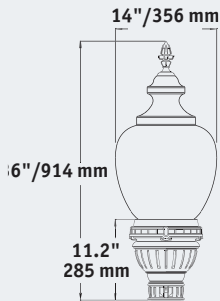
OPTICAL SYSTEM	
Y2	Type 2 distribution.
Y3	Type 3 distribution.
Y4	Type 4 distribution.
Y5	Type 5 distribution.

OPTIONS	
FS1	Single Fuse Holder (fuse by others)
FS2	Double Fuse Holder (fuse by others)
TA3	Tenon adaptor slips over a 3" O.D. by 4" long. Secures to the pole with four stainless steel set screws.
TA23	Tenon adaptor slips over a 2 3/8" O.D. by 4" long. Secures to the pole with four stainless steel set screws.
AD5	Adaptor to slip over a 5"/125mm O.D. pole and is 4"/100mm long. Secures to the pole with four stainless steel set screws.
ALF	Cast filigree basket. For SAL globe only.
COS	Cut off shield - reduces uplight. Factory installed.
PHC	Photo control kit. Specify line voltage when ordering this option.

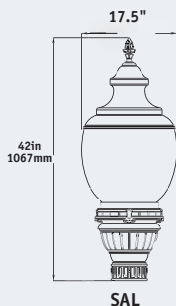
COLORS	
AWT	Arctic White
BLK	Black
MTB	Matte Black
DGN	Dark Green
DBZ	Dark Bronze
WRZ	Weathered Bronze
BRM	Metallic Bronze
VBL	Verde Blue
CRT	Corten
MAL	Matte Aluminum
MDG	Medium Grey
ATG	Antique Green
LGY	Light Grey
RAL/PREMIUM COLOR	Provide a RAL 4 digit color number
CUSTOM COLOR	Please provide a color chip for matching

LAMP/BALLAST	
FGS (Class 1, 120 thru 277 volt)	
32LED-3K-550	32 LED array. Warm white (3000K).
32LED-4K-550	32 LED array. Neutral white (4200K).
32LED-5K-550	32 LED array. Bright white (5100K).
35LED-BW	42 LED array. (32.9 watts). Bright white (5100K).
FGL (Class 1, 120 thru 277 volt)	
32LED-3K-700	32 LED array. Warm white (3000K).
32LED-4K-700	32 LED array. Neutral white (4200K).
32LED-5K-700	32 LED array. Bright white (5100K).
55LED-BW	42 LED array. (52.4 watts). Bright white (5000K).

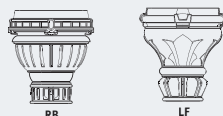
DIMENSIONS



FGS WT: 25 lbs.
EPA: 1.2 (LL3/5)
0.99 (SAL)



FGL WT: 34 lbs.
EPA: 1.32 (LL3/5)
1.47 (PA3/5)
1.41 (SLG)
1.40 (SAL)



MOUNTING (FGS)

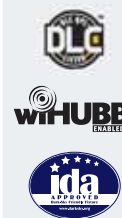
Wall Mount	
WMA1M	WMA56
WMA1L	WMA57
WMA55	
Pole Mount	
TRA1M	TRA56
TRA1L	TRA57
TRA55	

SLVT

Largent

CONTEMPORARY



- MicroCore® technology
- Canted design provides even illumination with less glare
- 0-10v dimming ready
- DLC pending
- Surge protection included
- Type 2, 3, 4, 5, Custom, Left & Right distributions
- IP65 constructed
- DLC pending
- Powder coat finish in 13 standard colors with a polymer primer sealer



ORDERING INFORMATION

_____ **SLVT** _____ - _____ - _____

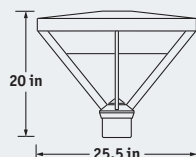
MICROCORE LED (Class 2, 120 thru 277 volt)	
56 light emitting diode array, 129 watts.	
<i>Warm White (3000K)</i>	
T2-56LED-3K-700	IES Type 2 distribution
T3-56LED-3K-700	IES Type 3 distribution
T4-56LED-3K-700	IES Type 4 distribution
T5-56LED-3K-700	IES Type 5 distribution
TL-56LED-3K-700	IES 45° Left distribution
TR-56LED-3K-700	IES 45° Right distribution
<i>Neutral White (4200K)</i>	
T2-56LED-4K-700	IES Type 2 distribution
T3-56LED-4K-700	IES Type 3 distribution
T4-56LED-4K-700	IES Type 4 distribution
T5-56LED-4K-700	IES Type 5 distribution
TL-56LED-4K-700	IES 45° Left distribution
TR-56LED-4K-700	IES 45° Right distribution
<i>Bright White (5100K)</i>	
T2-56LED-5K-700	IES Type 2 distribution
T3-56LED-5K-700	IES Type 3 distribution
T4-56LED-5K-700	IES Type 4 distribution
T5-56LED-5K-700	IES Type 5 distribution
TL-56LED-5K-700	IES 45° Left distribution
TR-56LED-5K-700	IES 45° Right distribution

MICROEMITTER LED (Class 1, 120 thru 277 volt)	
60 light emitting diode array, 65 watts.	
<i>Warm White (3000K)</i>	
SLVT-T2-60LED-WW	IES Type 2 distribution
SLVT-T3-60LED-WW	IES Type 3 distribution
SLVT-T4-60LED-WW	IES Type 4 distribution
SLVT-T5-60LED-WW	IES Type 5 distribution
<i>Neutral White (4200K)</i>	
SLVT-T2-60LED-NW	IES Type 2 distribution
SLVT-T3-60LED-NW	IES Type 3 distribution
SLVT-T4-60LED-NW	IES Type 4 distribution
SLVT-T5-60LED-NW	IES Type 5 distribution
<i>Bright White (5100K)</i>	
SLVT-T2-60LED-BW	IES Type 2 distribution
SLVT-T3-60LED-BW	IES Type 3 distribution 
SLVT-T4-60LED-BW	IES Type 4 distribution
SLVT-T5-60LED-BW	IES Type 5 distribution 
Comes complete with LEDs and driver. Class 1, 350mA drive current.	

OPTIONS (Microcore only)	
WIH	Integral HBA w iHUBB IFM transceiver and antenna
CLR	Clear flat lens. Not available with LDL or HSS
LDL	Lightly diffused lens. Not available with CLR or HSS
HSS	House side shield. Not available with CLR or LDL

COLORS	
AWT	Arctic White
BLK	Black
MTB	Matte Black
DGN	Dark Green
DBZ	Dark Bronze
WRZ	Weathered Bronze
BRM	Metallic Bronze
VBL	Verde Blue
CRT	Corten
MAL	Matte Aluminum
MDG	Medium Grey
ATG	Antique Green
LGY	Light Grey
RAL/REMIUM COLOR	Provide a RAL 4 digit color number
CUSTOM COLOR	Please provide a color chip for matching

DIMENSIONS



Wt: 32 lbs
EPA: 2.15
IP= 54

Please visit www.aal.net for mounting options.

INDA/INDF/INDC

Indirect™

CONTEMPORARY



- Integral driver assembly for easy installation
- Lightweight aluminum composite upper reflector minimizes pole stress
- Stainless steel vertical struts
- Round or square upper reflectors available
- Reflector tilts and locks at 0, 15 or 30 degrees
- IP66 constructed
- Powder coat finish in 13 standard colors with a polymer primer sealer



MODEL	
INDA	Adjustable head. Slips over a 5" O.D. pole.
INDF	Fixed head. Slips over a 5" O.D. pole.
INDC	Square straight, fixed head. Post top mount slips over a 2 3/8" O.D. tenon (5" square pole) or 4" square pole.

LAMP/BALLAST	
INDA/INDF (30 light emitting diode array, 33 watts. 120 thru 277 volt)	
30LED-WW	Warm white (3000K)
30LED-NW	Neutral white (4200K)
30LED-BW	Bright white (5100K)
INDC (30 light emitting diode array, 33 watts. 120 thru 277 volt)	
30LED-WW	Warm white (3000K)
30LED-NW	Neutral white (4200K)
30LED-BW	Bright white (5100K)

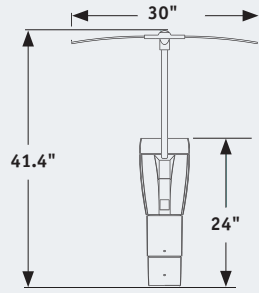
MOUNTING	
WMA	Wall mounted arm, 10 lbs. EPA: 0.68
PMAT	Twin pole mount arm, slips over a 4" O.D. pole or tenon, 14 lbs. EPA: 0.83

COLORS	
AWT	Arctic White
BLK	Black
MTB	Matte Black
DGN	Dark Green
DBZ	Dark Bronze
WRZ	Weathered Bronze
BRM	Metalllic Bronze
VBL	Verde Blue
CRT	Corten
MAL	Matte Aluminum
MDG	Medium Grey
ATG	Antique Green
LGY	Light Grey
RAL/PREMIUM COLOR	Provide a RAL 4 digit color number
CUSTOM COLOR	Please provide a color chip for matching

REFLECTOR-UPPER	
RD	30" Round upper reflector
SQ	30" Square upper reflector

OPTIONS	
INDA/INDF	
CFH	Color filter holder attached to the fixture. Factory installed. INDA only.
SR	Two aluminum rings attached to the fixture. Factory installed. INDA only.
CDC	Center deflector cone for round reflector. Provides a wider light distribution.
AD5	Cast aluminum adapter for the PMAT to slip over a 5" O.D. pole.
INDC	
CDC	Center deflector cone for round reflector. Provides a wider light distribution.
SR	Two aluminum rings attached to the fixture. Factory installed.
CFH	Color filter holder attached to the fixture includes solid rings. Factory installed.

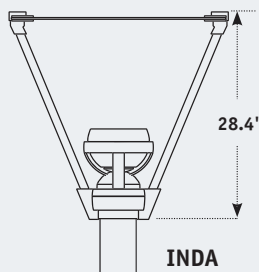
DIMENSIONS



INDC
WT: 45.9 lbs

EPA: INDC-SQ Sail: 0° = 1.70
15° = 3.27
30° = 5.01

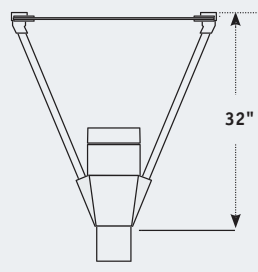
INDC-RD Sail: 0° = 1.46
15° = 2.89
30° = 4.28



INDA
WT: 32.5 lbs

EPA: INDA-SQ Sail: 0° = 0.85
15° = 2.42
30° = 4.16

INDA-RD Sail: 0° = 0.61
15° = 2.04
30° = 3.43



INDF
WT: 31.5 lbs

EPA: INDF-SQ Sail: 0° = 0.93
15° = 2.50
30° = 4.24

INDF-RD Sail: 0° = .69
15° = 2.12
30° = 3.51

SP1/SP2/SPB

Spectra™ – Large/Small/Bollard

CONTEMPORARY

- Four hood styles (except indirect) and four lens elements to configure a look in harmony with your architecture
- Symmetric or asymmetric distribution
- Post-top, wall mount arm, or pole mount arm options
- Stainless steel struts
- Powder coat finish in 13 standard colors with a polymer primer sealer



ORDERING INFORMATION

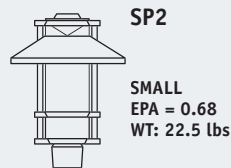
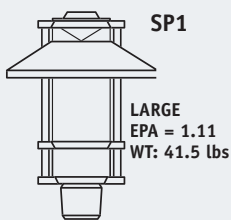
SP1/SP2 - [] - [] - [] - [] - [] - [] - []

MODEL	
Large Scale- Slips over a 4" O.D. pole	
SP1	Spectra Large Scale
Small Scale- Slips over a 3" O.D. pole	
SP2	Spectra Small Scale
Bollard	
SPB	Spectra Bollard with painted shade

HOOD	
ANG	Angled hood
FLR	Flared hood
STR	Straight hood
DBL	Double hood

LENS ELEMENT	
GLA	Frosted glass diffuser. Type 5 Light Pattern. <i>For SP2 only.</i>

DIMENSIONS



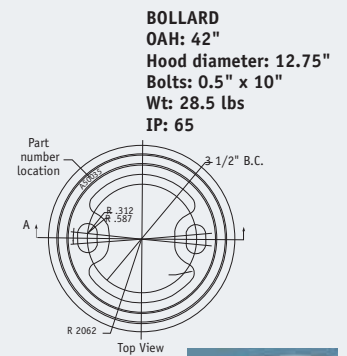
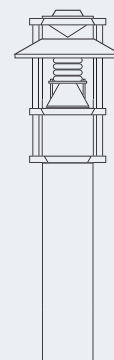
LAMP/BALLAST	
SP1 (32 LED array, 58 watts. 120 thru 277 volt)	
Y2-32LED-3K-550	Warm white (3000K). Type 2.
Y3-32LED-3K-550	Warm white (3000K). Type 3.
Y4-32LED-3K-550	Warm white (3000K). Type 4.
Y5-32LED-3K-550	Warm white (3000K). Type 5.
Y2-32LED-4K-550	Neutral white (4200K). Type 2.
Y3-32LED-4K-550	Neutral white (4200K). Type 3.
Y4-32LED-4K-550	Neutral white (4200K). Type 4.
Y5-32LED-4K-550	Neutral white (4200K). Type 5.
Y2-32LED-5K-550	Bright white (5100K). Type 2.
Y3-32LED-5K-550	Bright white (5100K). Type 3.
Y4-32LED-5K-550	Bright white (5100K). Type 4.
Y5-32LED-5K-550	Bright white (5100K). Type 5.
SP1 (42 LED array, 53.8 watts. 120 thru 277 volt)	
SP2	
18 LED array, 20.9 watts. 120 thru 277 volt.	
18LED-BW	Bright white (5100K). Symmetric distribution.
18LED-NW	Neutral white (4200K). Symmetric distribution.
18LED-WW	Warm white (3000K). Symmetric distribution.
9 LED array, 12.2 watts. 120 thru 277 volt.	
9LED-BW	Bright white (5100K). Asymmetric distribution.
9LED-NW	Neutral white (4200K). Asymmetric distribution.
9LED-WW	Warm white (3000K). Asymmetric distribution.
SPB	
12 LED array, 14.8 watts. 120 thru 277 volt.	
12LED-BW	Bright white (5100K). Symmetric distribution.
12LED-NW	Neutral white (4200K). Symmetric distribution.
12LED-WW	Warm white (3000K). Symmetric distribution.
6 LED array, 8.0 watts. 120 thru 277 volt.	
6LED-BW	Bright white (5100K). Asymmetric distribution.
6LED-NW	Neutral white (4200K). Asymmetric distribution.
6LED-WW	Warm white (3000K). Asymmetric distribution.

HOOD FINISH (OPTIONAL)	
Not available with FCO option	
STS	Stainless steel
COP	Natural copper
For indirect, all hoods have the underside finished in high reflectance white.	

OPTIONS	
ULS	Upper lens shield. Reduces light above hood. For Indirect models only.
AD5	Adaptor for SP1, slips over a 5" O.D. pole.
AD4	Adaptor for SP2, slips over a 4" O.D. pole.
LDL	Lightly diffused lens.

COLORS	
AWT	Arctic White
BLK	Black
MTB	Matte Black
DGN	Dark Green
DBZ	Dark Bronze
WRZ	Weathered Bronze
BRM	Metallic Bronze
VBL	Verde Blue
CRT	Corten
MAL	Matte Aluminum
MDG	Medium Grey
ATG	Antique Green
LGY	Light Grey
RAL/PREMIUM COLOR	Provide a RAL 4 digit color number
CUSTOM COLOR	Please provide a color chip for matching

MOUNTING	
SP1	
AWM1	Wall mount arm
SAP1	Arm mount. Designed to slip over a 4" dia O.D. pole.
TAP1	Twin arm mount. Designed to slip over a 4" dia O.D. pole.
SP2	
AWM2	Wall mounted arm
SAP2	Arm mount. Designed to slip over a 4" dia pole.
TAP2	Twin arm mount. Designed to slip over a 4" dia pole.



UCM/UCL

Universe Collection® – Medium/Large Scale

CONTEMPORARY



- MicroCore® technology
- DLC pending
- First decorative, modular system with precise LED aiming capabilities
- Surge protection included
- 0-10v dimming ready
- IP65 constructed
- DLC pending
- Powder coat finish in 13 standard colors with a polymer primer sealer

ORDERING INFORMATION

MODEL		HOOD		MICROCORE LED (Class 2, 120 thru 277 volt)		COLORS		OPTIONS	
UCM	Universe Medium	ANG	Angled hood	UCM (32 light emitting diode array, 75 watts)		AWT	Arctic White	OPTIONS - HOOD	
UCL	Universe Large	BEL	Bell hood	<i>Warm White (3000K)</i>		BLK	Black	COP	Copper
		FLR	Flared hood	T2-32LED-3K-700	IES Type 2 distribution.	MTB	Matte Black	STS	Stainless Steel
		STR	Straight hood	T3-32LED-3K-700	IES Type 3 distribution.	DGN	Dark Green	OPTIONS	
		SKB	Skirted bell hood	T4-32LED-3K-700	IES Type 4 distribution.	DBZ	Dark Bronze	WIH	Integral HBA wiHUBB IFM transceiver and antenna
				T5-32LED-3K-700	IES Type 5 distribution.	WRZ	Weathered Bronze	SLC	Luminous element remains unlit during normal operation
				TL-32LED-3K-700	IES 45° Left distribution.	BRM	Metallic Bronze	FTG	Flat glass lens. MicroEmitter only.
				TR-32LED-3K-700	IES 45° Right distribution.	VBL	Verde Blue	FLD	Lightly diffused finish on flat glass lens
				<i>Neutral White (4200K)</i>		CRT	Corten	SAG	Clear sag glass lens. UCM MicroCore only.
				T2-32LED-4K-700	IES Type 2 distribution.	MAL	Matte Aluminum	RCK	Rock guard painted black. UCM only.
				T3-32LED-4K-700	IES Type 3 distribution.	MDG	Medium Grey		
				T4-32LED-4K-700	IES Type 4 distribution.	ATG	Antique Green		
				T5-32LED-4K-700	IES Type 5 distribution.	LGY	Light Grey		
				TL-32LED-4K-700	IES 45° Left distribution.	RAL/ PREMIUM COLOR	Provide a RAL 4 digit color number		
				TR-32LED-4K-700	IES 45° Right distribution.	CUSTOM COLOR	Please provide a color chip for matching		
				<i>Bright White (5100K)</i>					
				T2-60LED-WW	IES Type 2 distribution				
				T3-60LED-WW	IES Type 3 distribution				
				T4-60LED-WW	IES Type 4 distribution				
				T5-60LED-WW	IES Type 5 distribution				
				<i>Neutral White (4200K)</i>					
				T2-60LED-NW	IES Type 2 distribution				
				T3-60LED-NW	IES Type 3 distribution				
				T4-60LED-NW	IES Type 4 distribution				
				T5-60LED-NW	IES Type 5 distribution				
				<i>Bright White (5100K)</i>					
				T2-60LED-BW	IES Type 2 distribution				
				T3-60LED-BW	IES Type 3 distribution				
				T4-60LED-BW	IES Type 4 distribution				
				T5-60LED-BW	IES Type 5 distribution				
				UCL (120 light emitting diode array, 124 watts)					
				<i>Warm White (3000K)</i>					
				T2-120LED-WW	IES Type 2 distribution				
				T3-120LED-WW	IES Type 3 distribution				
				T4-120LED-WW	IES Type 4 distribution				
				T5-120LED-WW	IES Type 5 distribution				
				<i>Neutral White (4200K)</i>					
				T2-120LED-NW	IES Type 2 distribution				
				T3-120LED-NW	IES Type 3 distribution				
				T4-120LED-NW	IES Type 4 distribution				
				T5-120LED-NW	IES Type 5 distribution				
				<i>Bright White (5100K)</i>					
				T2-120LED-BW	IES Type 2 distribution				
				T3-120LED-BW	IES Type 3 distribution				
				T4-120LED-BW	IES Type 4 distribution				
				T5-120LED-BW	IES Type 5 distribution				

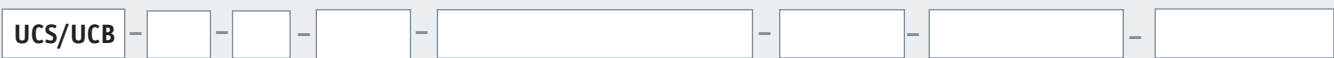
Please visit www.aal.net for options, mounting, dimensions, weight & EPA

UCS/UCB

Universe® – Small Scale/Bollard

CONTEMPORARY

- Now available with highly efficient LED technology
 - IES Type 5 distribution
 - Three color temperatures, 3K, 4K and 5K
- Available with full cutoff option
- IP65 constructed
- Powder coat finish in 13 standard colors with a polymer primer sealer
- Modular system with various luminous and hood options
- Pole, wall, or pendant mount options
- Opal glass lens, Type 5 distribution for soft, general lighting



MODEL	
UCS	Universe Small Scale
UCB	Universe Bollard

LUMINOUS ELEMENTS	
WND	4 luminous windows
SR	Solid rings
VSL	Vertical slots
LUM	Luminous rings

HOOD	
ANG	Angled hood (Not for UCB)
BEL	Bell hood (Not for UCB)
FLR	Flared hood
STR	Straight hood
SKB	Skirted bell hood (Not for UCB)

HOOD OPTIONS	
COP	Copper
STS	Stainless steel

The natural copper hood is unfinished to develop a patina over time.

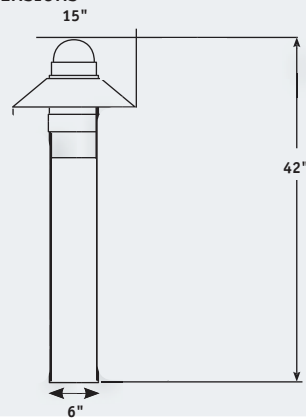
LAMP/BALLAST	
UCS (12 light emitting diode array. 32 watts. 120 thru 277 volt. 700mA drive current.)	
12LED-WW	Warm white (3000K).
12LED-NW	Neutral white (4200K).
12LED-BW	Bright white (5100K).
UCB (12 light emitting diode array. 32 watts. 120 thru 277 volt. 700mA drive current.)	
12LED-WW	Warm white (3000K).
12LED-NW	Neutral white (4200K).
12LED-BW	Bright white (5100K).

COLORS	
AWT	Arctic White
BLK	Black
MTB	Matte Black
DGN	Dark Green
DBZ	Dark Bronze
WRZ	Weathered Bronze
BRM	Metallic Bronze
VBL	Verde Blue
CRT	Corten
MAL	Matte Aluminum
MDG	Medium Grey
ATG	Antique Green
LGY	Light Grey
RAL/PREMIUM COLOR	Provide a RAL 4 digit color number
CUSTOM COLOR	Please provide a color chip for matching

OPTIONS	
FCO	Full cutoff shield. Replaces luminous elements
SLC	Internal sleeve to block light from the lens when a luminous element is chosen: WND, SR, VSL or LUM

MOUNTING	
PCVS	Single curved arm, fits over a 3" O.D. pole.
PCVT	Twin curved arm, fits over a 4" O.D. pole. The top 6" of the pole top shall have an open, clear unobstructed area for the ballast assembly.
PSTS	Single straight arm, fits over a 3" O.D. pole.
PSTT	Twin straight arm, fits over a 4" O.D. pole. The top 6" of the pole top shall have an open, clear unobstructed area for the ballast assembly.
WCV	Wall mount curved arm, integral ballast. Uses the mounting plate with a prewired ballast.
WST	Wall mount straight arm, integral ballast. Uses the mounting plate with a prewired ballast.
PMS	Pendant mount with 48" stem and swivel fits over a standard octagonal j-box. Remote ballast required.
SBE	Pendant mount with 48" stem and surface mounted ballast enclosure.

DIMENSIONS



42" OAH
 Note: Addition of a luminous element will increase the overall height by 2.75" to 44.75"
 WT: 27 lbs. IP: 55

Please visit www.aal.net for UCS dimensions, weight and EPA.



- MicroCore® technology
- Canted design provides even illumination with less glare
- 0-10v dimming ready
- DLC pending
- Surge protection included
- Type 2, 3, 4, 5, Custom, Left & Right distributions
- IP65 constructed
- DLC pending
- Powder coat finish in 13 standard colors with a polymer primer sealer

FH - [] - [] - []

MICROEMITTER LED (Class 1, 120 thru 277 volt, 350mA drive current.)	
99 LED, 112 watts.	
Warm White (3000K)	
FH-T2-99LED-WW	Type 2.
FH-T3-99LED-WW	Type 3.
FH-T4-99LED-WW	Type 4.
FH-T5-99LED-WW	Type 5.
Neutral White (4200K)	
FH-T2-99LED-NW	Type 2.
FH-T3-99LED-NW	Type 3.
FH-T4-99LED-NW	Type 4.
FH-T5-99LED-NW	Type 5.
Bright White (5100K)	
FH-T2-99LED-BW	Type 2.
FH-T3-99LED-BW	Type 3.
FH-T4-99LED-BW	Type 4.
FH-T5-99LED-BW	Type 5.

COLORS	
AWT	Arctic White
BLK	Black
MTB	Matte Black
DGN	Dark Green
DBZ	Dark Bronze
WRZ	Weathered Bronze
BRM	Metallic Bronze
VBL	Verde Blue
CRT	Corten
MAL	Matte Aluminum
MDG	Medium Grey
ATG	Antique Green
LGY	Light Grey
RAL/ PREMIUM COLOR	Provide a RAL 4 digit color number
CUSTOM COLOR	Please provide a color chip for matching

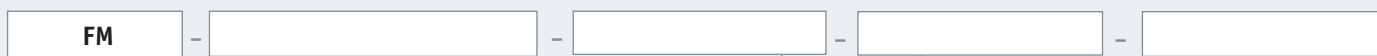
MOUNTING-REQUIRED OPTION			
FIXED ARMS	FA4 Attaches to the side of a 4" pole	FA5 Attaches to the side of a 5" pole	
Two individual arms can be mounted to a pole at a 180° orientation.			
SHORT STRAIGHT ARMS (4" pole)		SHORT STRAIGHT ARMS WITH EXTENSION (4" pole)	
SS4/SS5	Short straight arm	SS4XP/SS5XP	Short straight arm with an extended post
TSS4/TSS5	Twin	TSS4XP/ TSS5XP	Twin
PSS4/PSS5	3-way - T configuration	PSS4XP/ PSS5XP	3-way - T configuration
QSS4/QSS5	4-way, horizontal position only	QSS4XP/QSS5XP	4-way, horizontal position only
LONG STRAIGHT ARMS (4"/5" pole)		LONG STRAIGHT ARMS WITH EXTENSION (4"/5" pole)	
LS4/LS5	Long straight arm	LS4XP/ LS5XP	Long straight arm, with an extended post
TLS4/TLS5	Twin	TLS4XP/TLS5XP	Twin
PLS4/PLS5	3-way - T configuration, horizontal position only.	PLS4XP/PLS5XP	3-way - T configuration, horizontal position only.
QLS4/QLS5	4-way, horizontal position	QLS4XP/QLS5XP	4-way, horizontal position
SHORT CURVED ARMS (4"/5" pole)		SHORT CURVED ARMS WITH EXTENSION (4"/5" pole)	
SC4/ SC5	Short curved arm	SC4XP/ SC5XP	Short curved arm with an extended post
TSC4/ TSC5	Twin	TSC4XP/ TSC5XP	Twin
PSC4/ PSC5	3-way-T configuration	PSC4XP/ PSC5XP	3-way-T configuration
QSC4/ QSC5	4-way	QSC4XP/ QSC5XP	4-way
LONG CURVED ARMS (4"/5" pole)		LONG CURVED ARMS WITH EXTENSION (4"/5" pole)	
LC4/ LC5	Long curved arm	LC4XP/ LC5XP	Long curved arm with an extended post
TLC4/ TLC5	Twin	TLC4XP/ TLC5XP	Twin
PLC4/ PLC5	3-way-T configuration	PLC4XP/ PLC5XP	3-way-T configuration
QLC4/ QLC5	4-way	QLC4XP/ QLC5XP	4-way
WALL MOUNT ARMS		WALL MOUNT ARMS WITH EXTENSION	
WVSS	Very short straight arm	WSSER	Short straight arm with extension rods and wall plate
WSS	Short straight arm	WLSER	Long straight arm with extension rods and wall plate
WLS	Long straight arm	WSCER	Short curved arm with extension rods and wall plate
WSC	Short curved arm	WLCER	Long curved arm with extension rods and wall plate
WLC	Long curved arm	Hardware for properly mounting the arm and wall plate (for extension rods) provided by others.	

MICROCORE LED (Class 2, 120 thru 277 volt)	
56 LED, 132 watts.	
Warm White (3000K)	
T2-56LED-3K-700	Type 2.
T3-56LED-3K-700	Type 3.
T4-56LED-3K-700	Type 4.
T5-56LED-3K-700	Type 5.
TL-56LED-3K-700	45° Left.
TR-56LED-3K-700	45° Right.
Neutral White (4200K)	
T2-56LED-4K-700	Type 2.
T3-56LED-4K-700	Type 3.
T4-56LED-4K-700	Type 4.
T5-56LED-4K-700	Type 5.
TL-56LED-4K-700	45° Left.
TR-56LED-4K-700	45° Right.
Bright White (5100K)	
T2-56LED-5K-700	Type 2.
T3-56LED-5K-700	Type 3.
T4-56LED-5K-700	Type 4.
T5-56LED-5K-700	Type 5.
TL-56LED-5K-700	45° Left.
TR-56LED-5K-700	45° Right.

OPTIONS	
WIH	Integral HBA wiHUBB IFM transceiver and antenna. MicroCore only.
LDL	Lightly diffused lens
CLR	Clear flat lens. MicroCore only.
LPC12	Photocell with adjustable swivel for aiming. 120 volt.
LPC27	Photocell with adjustable swivel for aiming. 208/240/277 volt

Please visit www.aal.net for mounting, dimensions, weight and EPA.

- Die cast aluminum construction for corrosion resistance
- Wall or pole mounting options
- Features highly efficient LEDs
- Full cutoff classification (without uplight options)
- Wide variety of options available
- IP65 constructed
- Powder coat finish in 13 standard colors with a polymer primer sealer



MODEL	
WALL MOUNTED	
Remote Ballast	
FMR	Short arm. Not available with LED
Integral Ballast	
FMSS	Short straight arm
FMSC	Short curved arm
FMLS	Long straight arm
FMLC	Long curved arm
FMLSX	Long straight arm & extension
FMLCX	Long curved arm & extension
POLE MOUNTED	
FMSS4	Single, short straight arm
FMTSS4	Twin, short straight arm
FMSC4	Single, short curved arm
FMTSC4	Twin, short curved arm
FMLS4	Single, long straight arm
FMLS4XP	Single, long straight arm with extension
FMTLS4	Twin, long straight arm
FMTLS4XP	Twin, long straight arm with extension
FMLC4	Single, long curved arm
FMLC4XP	Single, long curved arm with extension
FMTLC4	Twin, long curved arm
FMTLC4XP	Twin, long curved arm with extension

LAMP/BALLAST	
30 light emitting diode array, 32 watts. 120 thru 277 volt. Uplight or downlight only. Specify desired output option.	
30LED-WW	Warm white (3000K)
30LED-NW	Neutral white (4200K)
30LED-BW	Bright white (5100K)

LED OUTPUT	
Must select one when LED option is chosen	
LO-U	LED light output upper
LO-L	LED light output lower

COLORS	
AWT	Arctic White
BLK	Black
MTB	Matte Black
DGN	Dark Green
DBZ	Dark Bronze
WRZ	Weathered Bronze
BRM	Metallic Bronze
VBL	Verde Blue
CRT	Corten
MAL	Matte Aluminum
MDG	Medium Grey
ATG	Antique Green
LGY	Light Grey
RAL/PREMIUM COLOR	Provide a RAL 4 digit color number
CUSTOM COLOR	Please provide a color chip for matching

EXTERNAL OPTIONS	
Conical Glass —Molded, tempered, frosted glass lens.	
CGL-U	Upper
CGL-L	Lower
Solid Rings —Two cast aluminum rings.	
SR-U	Upper
SR-L	Lower
Domed Cover —Spun aluminum dome mimics the design of the Flex.	
DMC-U	Upper
DMC-L	Lower
Angled Shade —12.75" Dia x 2.50" Ht Spun aluminum shade with hemmed edge. Painted the same color as the fixture.	
ANG-U	Upper
ANG-L	Lower
Spun copper shade with hemmed edge —Unfinished, will patina over time.	
ANGCOP-U	Upper
ANGCOP-L	Lower
Spun stainless steel shade with hemmed edge —Brushed finish.	
ANGSTS-U	Upper
ANGSTS-L	Lower

EXTERNAL OPTIONS	
Flared Shade —12.87" Dia x 2.75" Ht. Spun aluminum shade with rolled edge. Painted the same color as the fixture.	
FLR-U	Upper
FLR-L	Lower
Spun copper shade with rolled edge —Unfinished, will patina over time.	
FLRCOP-U	Upper
FLRCOP-L	Lower
Spun stainless steel shade with rolled edge —Brushed finish.	
FLRSTS-U	Upper
FLRSTS-L	Lower
Flared Cone —3.4" Ht Spun aluminum cone. Painted the same color as the fixture.	
CON-U	Upper
CON-L	Lower
Spun copper cone —Unfinished, will patina over time.	
CONCOP-U	Upper
CONCOP-L	Lower
Spun stainless steel cone —Brushed finish.	
CONSTS-U	Upper
CONSTS-L	Lower

Please visit www.aal.net for mounting, dimensions, weight and EPA.

ES/ME

eSconce®/mini-eSconce

WALL SCONCES



- Precision die-cast aluminum construction (ES)
- Now available with highly efficient LEDs
- Four precise optical systems for MH or HPS lamps
- Optional fascia panels
- Emergency lighting options
- One-piece memory retentive molded silicone gaskets
- IP65 constructed
- Powder coat finish in 13 standard colors with a polymer primer sealer

ORDERING INFORMATION

ES/ME

MODEL	
ES – Light Emitting Diode (LED) – LEDs and driver included	
Up or down light, 36 light emitting diode array, 37 watts. 120 thru 277 volt.	
ES3-36LED-WW	Warm white (3000K)
ES3-36LED-NW	Neutral white (4200K)
ES3-36LED-BW	Bright white (5100K)
Up and down light. Primary output 36 LEDs, 37 watts. Secondary output 18 LEDs, 18 watts. 120 thru 277 volt. 60% primary - 40% secondary light distribution.	
ES3-54LED-WWX	Warm white (3000K)
ES3-54LED-NWX	Neutral white (4200K)
ES3-54LED-BWX	Bright white (5100K)
ME – Uplight OR Downlight — Uplight AND Downlight. (3LED array, 5 watts. 120 thru 277 volt.)	
ME-3LED-WW	Warm White (3000K)
ME-3LED-NW	Neutral White (4200K)
ME-3LED-BW	Bright White (5100K)
Comes complete with LEDs and driver. 350mA drive current.	

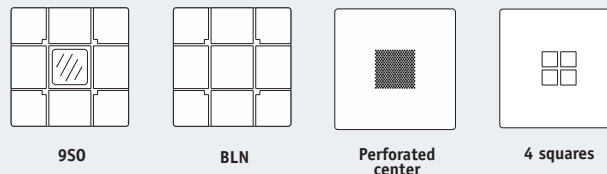
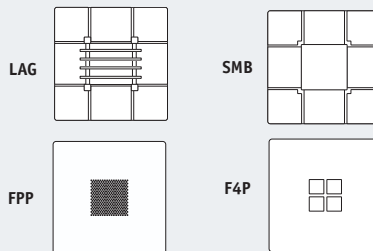
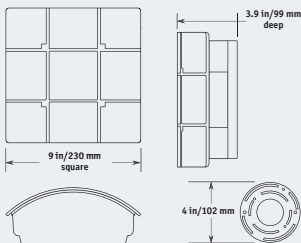
COLORS	
AWT	Arctic White
BLK	Black
MTB	Matte Black
DGN	Dark Green
DBZ	Dark Bronze
WRZ	Weathered Bronze
BRM	Metallic Bronze
VBL	Verde Blue
CRT	Corten
MAL	Matte Aluminum
MDG	Medium Grey
ATG	Antique Green
LGY	Light Grey
RAL/ PREMIUM COLOR	Provide a RAL 4 digit color number
CUSTOM COLOR	Please provide a color chip for matching

OPTIONS (ME only)	
PC12	120 volt swivel type photocell. Factory wired.
PC27	208/240/277 volt swivel type photocell. Factory wired at 277 volt.
SCB	Surface conduit box. 1/2" NPT inlets on each side. Gasketed front cover for wire access. Standard finish is white.
LDL	Lightly diffused glass lens. Primary lens only.
GFH	Gel filter holder to add color to the luminous front lens.

FASCIA OPTIONS	
ES	
Luminous Acrylic Ribs	
LAG	Edge lit acrylic grill assembly fits over the front lens.
Small Center Panel (painted the same color as the fixture)	
SMP	Perforated
SM4	4 Squares
SMB	Blank cover
Full Panel with a Perforated Center	
FPP	Painted Finish
FPS	Brushed Stainless Steel
FPC	Natural Copper
Full Panel with a 4 Square Center	
F4P	Painted Finish
F4S	Brushed Stainless Steel
F4C	Natural Copper
ME	
The fascia panels are factory installed	
Full Fascia Panel Overlay Painted	
9S0	9 Square open center (painted)
BLN	9 Square blank (painted)
Perforated Center	
FPP	Painted aluminum
FPS	Brushed #4 stainless steel
FPC	Natural copper
4 Squares	
F4P	Painted aluminum
F4S	Brushed #4 stainless steel
F4C	Natural copper
The stainless steel fascia panels have a #4 brushed finish with a horizontal grain direction. The copper will age and patina over time.	

DIMENSIONS

ME



Please visit www.aal.net for dimensions and weight.

ASL7/ASL10

Steplights — Small/Large

STEPLIGHTS

- Composite backbox housing for harsh environments
- All stainless steel internal hardware
- Spun, anodized aluminum parabolic reflector with a lamp shield reflector
- Ballast is mounted on a prewired tray with a quick disconnect plug and can be removed by pulling out of the housing
- EISA compliant
- IP66 constructed
- Powder coat finish in 13 standard colors with a polymer primer sealer



ORDERING INFORMATION

ASL7/ASL10		-		-		-	
MODEL		BALLAST		COLORS		OPTIONS	
Round-ASL7		ASL7 (3LED array, 5 watts, 120 thru 277 volt)		AWT Arctic White		GLW Cast acrylic ring with a frosted finish. Adds a soft backlit glow around the perimeter of the fascia. Increases the projection of the fascia by 1/2" For standard flush mount. Recessed back box only.	
ASL7-RD-FR	Frosted lens	3LED-WW	Warm White (3000K)	BLK	Black	SEMI Semi recessed for wall or ceiling mounting. Includes an extruded aluminum sleeve and cast aluminum back plate. ADA compliant. Available only in a painted finish. 70 watt max for ceiling mount. Round only.	SURF Surface mounting for wall or ceiling installations. Includes an extruded aluminum sleeve and cast aluminum back plate. ADA compliant. Available only in a painted finish. 70 watt max for ceiling mount. Round only.
ASL7-RD-LS	Linear spread lens	3LED-NW	Neutral White (4200K)	MTB	Matte Black		
ASL7-RD-CROSS-FR	Frosted lens	3LED-BW	Bright White (5100K)	DGN	Dark Green	RBX Recessed ceiling mounting includes a rough in box and wiring compartment. Minimum 5" clearance above the ceiling. ASL7 only.	BSA Housing ahead option back box with strap only for standard flush mounting.
ASL7-RD-CROSS-LS	Spread lens	ASL10 (3LED array, 5 watts, 120 thru 277 volt)		DBZ	Dark Bronze		
ASL7-RD-EYE	Eyelid	9LED-WW	Warm White (3000K)	WRZ	Weathered Bronze	FS1 Single Fuse Holder. ASL10 only.	FS2 Double Fuse Holder. Available for ASL10 only.
Square-ASL7		9LED-NW	Neutral White (4200K)	BRM	Metallic Bronze		
ASL7-SQ-FR	Frosted lens	9LED-BW	Bright White (5100K)	VBL	Verde Blue	RAL/PREMIUM COLOR Provide a RAL 4 digit color number	
ASL7-SQ-LS	Linear spread lens			CRT	Corten	CUSTOM COLOR Cast aluminum fascia with another AAL color or a custom color in a powder coat finish	
ASL7-SQ-CROSS-FR	Frosted lens			MAL	Matte Aluminum	BRASS Cast brass fascia unfinished – will patina over time	
ASL7-SQ-CROSS-LS	Spread lens			MDG	Medium Grey		
ASL7-SQ-EYE	Eyelid			ATG	Antique Green		
Round-ASL10				LGY	Light Warm Grey		
ASL10-RD-FR	Frosted lens			RAL/PREMIUM COLOR			
ASL10-RD-LS	Linear spread lens			CUSTOM COLOR			
ASL10-RD-CROSS-FR	Frosted lens						
ASL10-RD-CROSS-LS	Spread lens						
ASL10-RD-EYE	Eyelid						
Square-ASL10							
ASL-SQ-FR	Frosted lens						
ASL10-SQ-LS	Linear spread lens						
ASL10-SQ-CROSS-FR	Frosted lens						
ASL10-SQ-CROSS-LS	Spread lens						
ASL10-SQ-EYE	Eyelid						

ASL7

DIM: SQ: 7.25" SQ RD: 7.25" Dia

PROJECTION FROM WALL:
PLAIN AND CROSS: 1.0"
EYELID: 2.75"

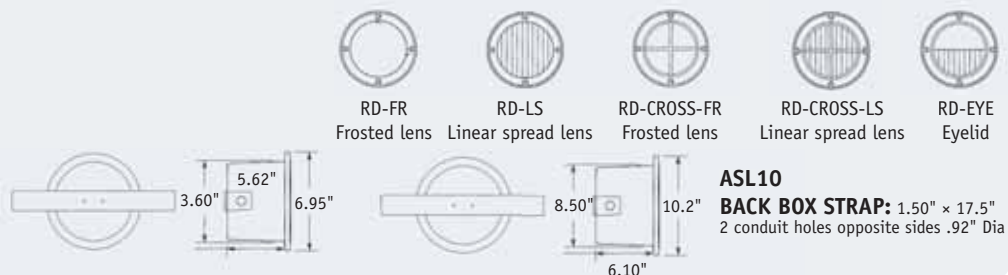
ASL10

DIM: SQ: 10.5" SQ RD: 10.5" Dia

PROJECTION FROM WALL:
PLAIN AND CROSS: 1.31"
EYELID: 3.75"

ASL7

BACK BOX STRAP: 1.50" x 13"
2 conduit holes opposite sides .92" Dia



ON/OS

Oculus® – Nano/Small Scale

FLOODLIGHTS



- High intensity axial beam optics
- Available with highly efficient LED optics
- 10° spot to 52° flood beam angle. Field adjustable through lamp or reflector changes.
- IP66 constructed
- Powder coat finish in 13 standard colors with a polymer primer sealer

ORDERING INFORMATION

ON/OS

MODEL	
ON	Oculus Nano
OS	Oculus Small

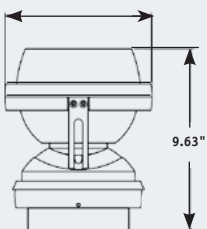
LAMP/BALLAST	
ON (18 light emitting diode array. 120 thru 277 volt)	
ON-18LED-WW	Warm white (3000K). 22.2 watts.
ON-18LED-NW	Neutral white (4200K). 21.1 watts.
ON-18LED-BW	Bright white (5100K). 21.1 watts.
OS (30 light emitting diode array. 120 thru 277 volt)	
OS-30LED-WW	Warm white (3000K). 34.2 watts.
OS-30LED-NW	Neutral white (4200K). 34.8 watt.
OS-30LED-BW	Bright white (5100K). 34.8 watt.

COLORS	
AWT	Arctic White
BLK	Black
MTB	Matte Black
DGN	Dark Green
DBZ	Dark Bronze
WRZ	Weathered Bronze
BRM	Metallic Bronze
VBL	Verde Blue
CRT	Corten
MAL	Matte Aluminum
MDG	Medium Grey
ATG	Antique Green
LGY	Light Grey
RAL/ PREMIUM COLOR	Provide a RAL 4 digit color number
CUSTOM COLOR	Please provide a color chip for matching

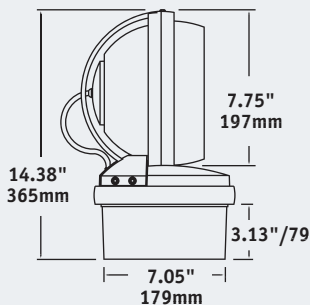
OPTIONS	
ON	
Internal Options	
NLN	Linear spread lens
NWA	Wide angle spread lens
NRL	Concentric ring louver
NHX	Black hexcell louver
Only one internal option per fixture.	
External Options	
The hoods are aluminum with stainless steel hardware.	
NCM	Color filter holder. Use a round glass filter*
NAH	Angled hood shield
NFH	Full hood shield
NRG	Rock guard
*Dichroic filters are available from FX Corporation. www.fxlight.com (reference AAL-ON).	
OS	
Internal Options	
The accessories mount internally between the glass and reflector.	
SLN	Linear spread lens
SWA	Wide angle spread lens
SRL	Concentric ring louver
SHX	Black hexcell louver 45° cutoff
Only one internal option per fixture.	
External Options	
The hoods are aluminum with stainless steel hardware.	
SCM	Color filter media holder. Use a round glass filter*
SAH	Angled hood shield
SFH	Full hood shield
SRG	Rock guard
*Dichroic filters are available from FX Corporation. www.fxlight.com (reference AAL-OS).	

MOUNTING	
NST	18" tall cast stanchion mount with a 3" O.D. post. Cast collar slips over the post and is secured by 3 stainless steel set screws
NPS 4N	Cast saddle mounts to the side of a 4" O.D. round pole
NTE	Cast tenon mount slips over a 3" O.D. round post and is secured with 3 stainless steel set screws
MTW	Cast twin arm and tenon slips over a 4" O.D. pole and secured with 6 stainless steel set screws.

DIMENSIONS



ON WT: 7.9 lbs. EPA: 0.45
IP: 66



OS WT: 14 lbs. EPA: 0.80

- Heavy duty cast aluminum for corrosion resistance
- Clear or frosted one-piece formed acrylic or polycarbonate lens
- Features energy efficient LEDs
- Features glass refractors in IES Type 3 or type 5
- Internal or external louvers provide IES Type 5 distribution
- Decorative, unlit version available
- Powder coat finish in 13 standard colors with a polymer primer sealer



BOLLARDS

ORDERING INFORMATION

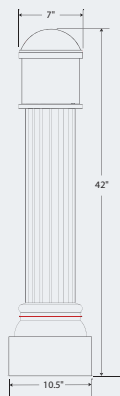
FCB - [] - [] - []

MODEL	
FCB5-LED	Decorative bollard with acrylic clear lens, indirect LED. Type 5 distribution.

LAMP/BALLAST	
24 light emitting diode array (53 watt), 120 thru 277 volt. Drive current 700 mA.	
24LED-WW	Warm white (3000K)
24LED-NW	Neutral white (4200K)
24LED-BW	Bright white (5100K)

COLORS	
AWT	Arctic White
BLK	Black
MTB	Matte Black
DGN	Dark Green
DBZ	Dark Bronze
WRZ	Weathered Bronze
BRM	Metallic Bronze
VBL	Verde Blue
CRT	Corten
MAL	Matte Aluminum
MDG	Medium Grey
ATG	Antique Green
LGY	Light Grey
RAL/PREMIUM COLOR	Provide a RAL 4 digit color number
CUSTOM COLOR	Please provide a color chip for matching

DIMENSIONS



FCB5

OPTIONS	
90S	House side shield, 90°
180S	House side shield, 180°
FS1	Single weatherproof fuse holder. Fuse by others.
GFI	Ground fault interrupter
CE1	Chain eyes, single
CE2	Chain eyes, double
UB6	6" ball finial. Only available with unlit bollard.

TRD/TSQ

Traditional Concrete Bollard

BOLLARDS



- Available with highly efficient LEDs
 - Type 5 distribution pattern
 - Warm white (3000K), neutral white (4000K) or bright white (5000K)
- Body and caps are composed of precast concrete reinforced with an internal cage structure of steel
- Grills are cast aluminum with stainless steel hardware
- Inner clear or opal acrylic lens is sealed to the grill frame
- Electrical module is silicone gasketed for weather tight operations
- Grill features TGIC polyester powder coat finish with choice of 13 standard colors
- IP54 constructed

ORDERING INFORMATION

TRD/TSQ - [] - [] - [] - []

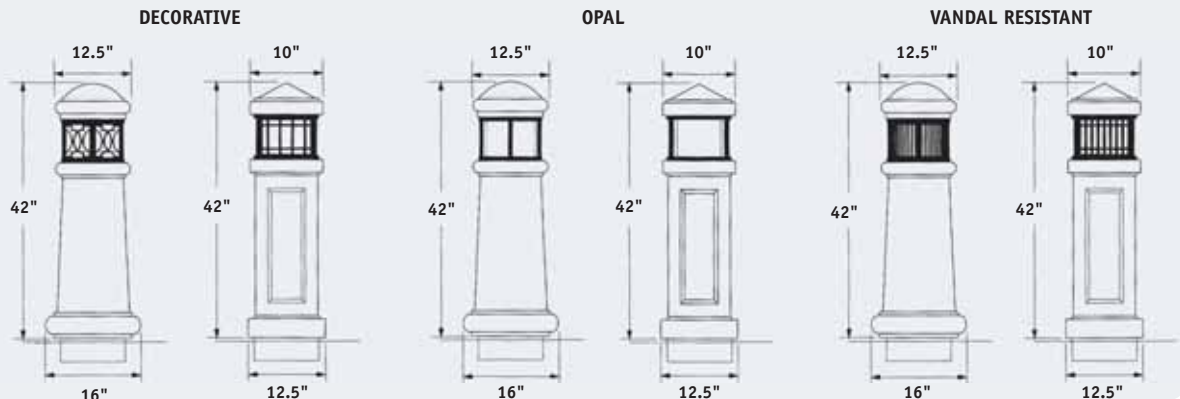
MODEL	
Round Bollard	
TRD-OL	Opal acrylic lens
TRD-DC	Decorative cast grill, opal acrylic lens
TRD-VR	Vandal resistant cast grill, opal acrylic lens
TRD-UN	Unlit bollard with no cast grill section
Square Bollard	
TSQ-OL	Opal acrylic lens
TSQ-DC	Decorative cast grill, opal acrylic lens
TSQ-VR	Vandal resistant cast grill, opal acrylic lens
TSQ-UN	Unlit bollard with no cast grill section.
Standard concrete finish is lehigh white. No special colors are available.	

LAMP/BALLAST	
36 light emitting diode array, 37 watts. 120 thru 277 volt.	
36LED-WW	Warm white (3000K). IES Type 5.
36LED-NW	Neutral white (4200K). IES Type 5.
36LED-BW	Bright white (5100K). IES Type 5.

GRILL COLORS	
Colors are for grills only. Standard concrete finish is lehigh white. No special colors are available.	
AWT	Arctic White
BLK	Black
MTB	Matte Black
DGN	Dark Green
DBZ	Dark Bronze
WRZ	Weathered Bronze
BRM	Metallic Bronze
VBL	Verde Blue
CRT	Corten
MAL	Matte Aluminum
MDG	Medium Grey
ATG	Antique Green
LGY	Light Grey
RAL/PREMIUM COLOR	Provide a RAL 4 digit color number
CUSTOM COLOR	Please provide a color chip for matching

OPTIONS	
90S	90 degree shield, field installed.
180S	180 degree shield, field installed.

DIMENSIONS



CB9/CB12/CB16/CB18

Concrete Bollard – 9"/12"/16"/18" Round/Square

- Available with highly efficient LEDs
 - Type 5 distribution pattern
 - Warm white (3000K), neutral white (4000K) or bright white (5000K)
- Body and cap are composed of precast concrete reinforced with an internal cage structure of steel
- Grills are cast aluminum with stainless steel hardware
- Inner clear or opal acrylic lens is sealed to the grill frame
- Electrical module is silicone gasketed for weather tight operations
- Grill features TGIC polyester powder coat finish with choice of 13 standard colors



BOLLARDS

CB9/CB12/CB16/CB18

MODEL	
CB9R	9" Round
CB9S	9" Square
CB12R	12" Round
CB12S	12" Square
CB16S	16" Square
CB18R	18" Round

OAH	
CB9R	
Flat Top	24", 36", 42"
Dome Top	24", 36", 42"
CB9S	
Flat Top	24", 36", 42"
Pyrm Top	24", 36", 42"
CB12R	
Flat Top INT	24", 36", 41"
Dome Top EXT	24", 37", 42"
Flat Top INT	26", 38", 43"
Dome Top EXT	24", 26", 37", 39", 42", 44"
CB12S	
Flat Top	24", 36", 42"
Pyrm Top	24", 36", 42"
CB16S	
Flat Top	24", 36", 42"
Pyrm Top	24", 36", 42"
CB18R	
Flat Top INT	23", 25", 35", 37", 40", 42"
Dome Top EXT	23", 25", 36", 38", 41", 43"
Flat Top INT	27", 29", 39", 41", 44", 46"
Dome Top EXT	27", 29", 40", 42", 45", 47"

DIMENSIONS

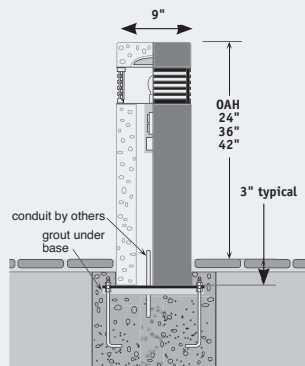
TOP STYLE	GRILL
CB9R	
Flat Top	Cutoff
Dome Top	Cutoff
CB9S	
Flat Top	Cutoff
Pyrm Top	Cutoff
CB12R	
Flat Top	Cutoff
Dome Top	Cutoff
CB12S	
Flat Top	Cutoff
Pyrm Top	Cutoff
CB16S	
Flat Top	Cutoff
Pyrm Top	Cutoff
CB18R	
Flat Top	Cutoff
Dome Top	Cutoff

LAMP/BALLAST	
CB9 (27 light emitting diode array, 28 watts. 120 thru 277 volt. IES Type 5)	
27LED-WW	Warm white (3000K)
27LED-NW	Neutral white (4200K)
27LED-BW	Bright white (5100K)
CB12 (36 light emitting diode array, 37 watts. 120 thru 277 volt. IES Type 5)	
36LED-WW	Warm white (3000K)
36LED-NW	Neutral white (4200K)
36LED-BW	Bright white (5100K)
CB16 (54 light emitting diode array, 55 watts. 120 thru 277 volt. IES Type 5)	
54LED-WW	Warm white (3000K).
54LED-NW	Neutral white (4200K).
54LED-BW	Bright white (5100K).
CB18 (72 light emitting diode array, 74 watts. 120 thru 277 volt. IES Type 5)	
72LED-WW	Warm white (3000K)
72LED-NW	Neutral white (4200K)
72LED-BW	Bright white (5100K)

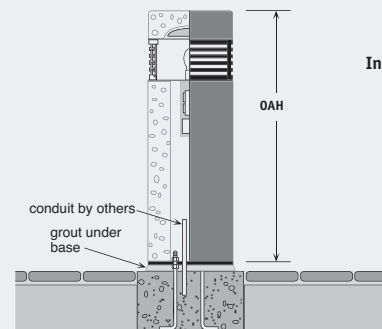
FINISH	
MSB	Medium sandblast finish
AGR	Exposed aggregate finish
MSB	Medium sandblast finish (CB12)
AGR	Exposed aggregate finish (CB12)

OPTIONS	
Colored Concrete	Based on Davis colors. Customer must provide aggregate, sand and colorant.

GRILL COLOR	
AWT	Arctic White
BLK	Black
MTB	Matte Black
DGN	Dark Green
DBZ	Dark Bronze
WRZ	Weathered Bronze
BRM	Metallic Bronze
VBL	Verde Blue
CRT	Corten
MAL	Matte Aluminum
MDG	Medium Grey
ATG	Antique Green
LGY	Light Grey
RAL/ PREMIUM COLOR	Provide a RAL 4 digit color number



External Mounting

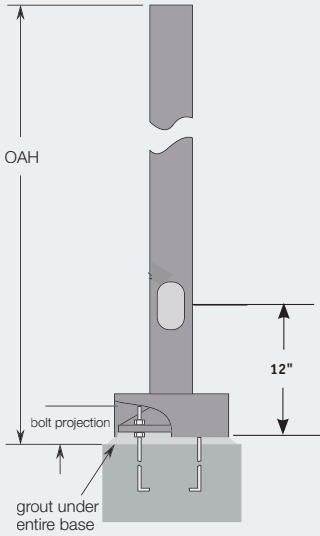


Internal Mounting

MOUNTING	
EXT	External
INT	Internal

PREMIUM POLES

POLES/ARMS/ACCESSORIES



FEATURES

AAL poles are designed for maximum strength to resist wind loads and perform with a wide variety of fixtures, arms and accessories. Whether the pole is ten feet or twenty five feet tall, the same robust design and structural integrity is built into every pole. At AAL, we design and manufacture aluminum poles for the best balance of strength, corrosion resistance, and longevity.

ROUND ALUMINUM POLES

CATALOG NUMBER	PR3	PR4	PR5
POLE HEIGHT(S)	8' to 10'	8' to 20'	10' to 25'
BASE DIAMETER	9"	9"	12.5"
POLE DIAMETER	3"	4"	5"

SQUARE ALUMINUM POLES

CATALOG NUMBER	PS3	PS4	PS5
POLE HEIGHT(S)	8' to 10'	8' to 20'	10' to 20'
BASE DIAMETER	7" square	9" square	14" square
POLE DIAMETER	3"	4"	5"

Fixture must be grounded in accordance with local codes or the National Electric Code. Failure to do so may result in serious personal injury. Poles should never be erected without the luminaire installed.

Warranty is voided if the pole is erected without the luminaire. Adequate drainage must be provided in concrete foundation or in the grout.

Please visit www.aal.net for complete pole specifications

DECORATIVE BASE COVERS



BC1

12.75" x 8.25" - One-piece For a 4" or 5" pole



BC5

14" x 24" - Two-piece For a 4" or 5" pole



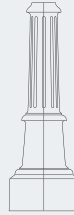
BC6

17" x 13" - Two-piece For a 4" or 5" pole



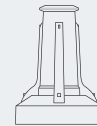
BC7

18" x 30" - Two-piece For a 4" or 5" pole



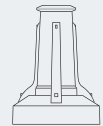
BC8

12" x 36" - Two-piece For a 4" pole



ACBCR

14" x 18" - One-piece For a 4" round pole

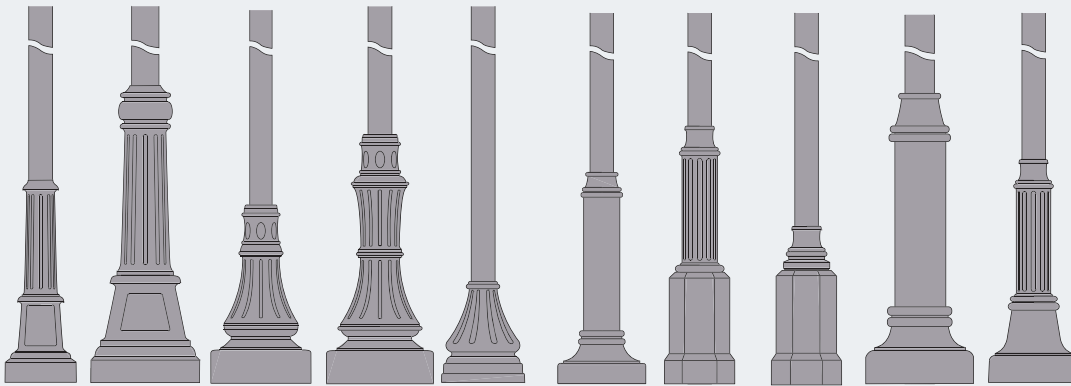


ACBCS

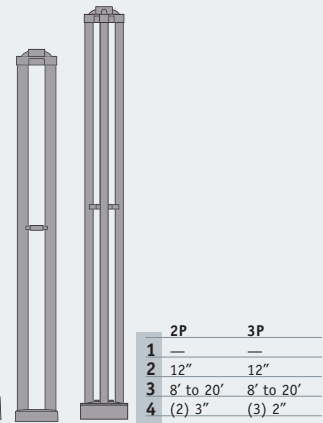
14" x 18" - One-piece For a 4" square pole

DECORATIVE POLES

MULTI POST POLES



	DB1	DB2	DB3	DB4	DB5	DB6	DB8	DB9	DB10	DB12
1	34"	51"	30"	42"	17"	36"	44"	27"	48"	39"
2	12"	20"	18"	18"	14"	15"	12"	12"	18"	16"
3	8' to 16'	10' to 25'	8' to 25'	8' to 25'	8' to 16'	8' to 16'	8' to 16'	8' to 16'	10' to 25'	8' to 16'
4	4"	5"	4" or 5"	4" or 5"	4"	4"	4"	4"	5"	4"

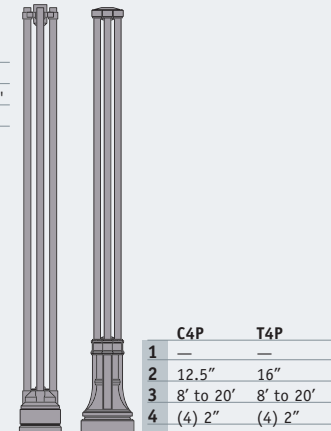


	2P	3P
1	—	—
2	12"	12"
3	8' to 20'	8' to 20'
4	(2) 3"	(3) 2"

REFERENCE

1	BASE HEIGHT
2	BASE DIAMETER
3	POLE HEIGHT(S)
4	POLE DIAMETER

Visit www.aal.net for complete details on weight and load limits as well as windloading information. Decorative poles are available with smooth round or fluted shafts.

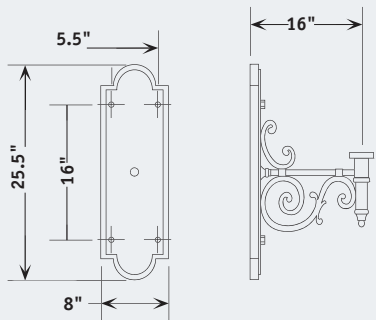


	C4P	T4P
1	—	—
2	12.5"	16"
3	8' to 20'	8' to 20'
4	(4) 2"	(4) 2"

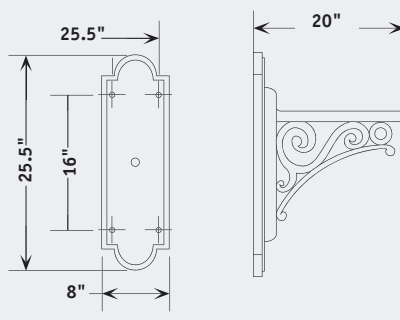
ARMS

POLES/ARMS/ACCESSORIES

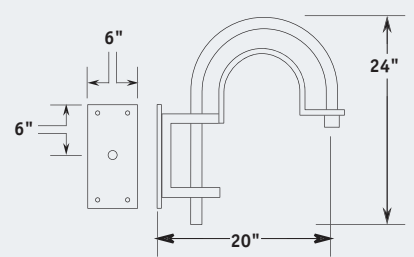
Wall Mounted



WMA 1M
Weight: 12 lbs.

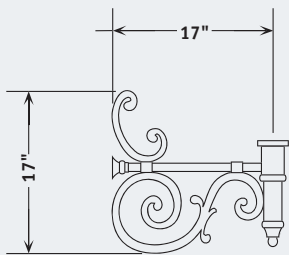


WMA 3
Weight: 17 lbs.

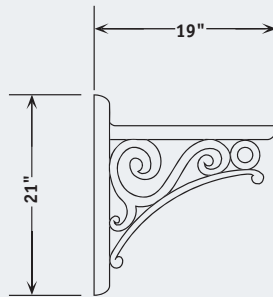


WMA 8
Weight: 10 lbs.

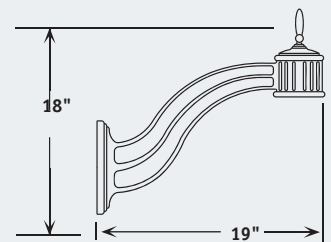
Traditional Arms



TRA 1L
Bolts to pole. Weight: 9 lbs. EPA: .75

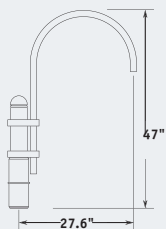


TRA 3
Bolts to pole. Weight: 14 lbs. EPA: .90

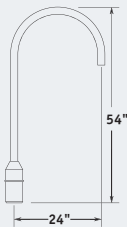


TRA 5D
Bolts to pole. Weight: 9 lbs. EPA: .62

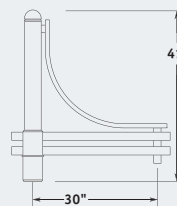
Contemporary Arms



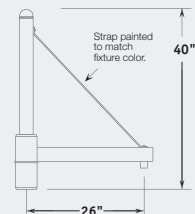
SLA 4
Slips over 4" pole. Weight: 14 lbs. EPA: 1.39



SLA 7
Slips over 4" pole. Weight: 9 lbs. EPA: 1.34



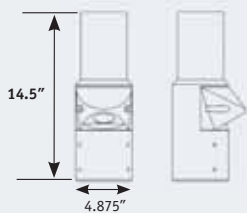
SLA 16
Slips over 4" pole. Weight: 18 lbs. EPA: 2.88



SLA 17
Slips over 4" pole. Weight: 18 lbs. EPA: 1.50

Accessories

EGRESS POST TOP ADAPTER

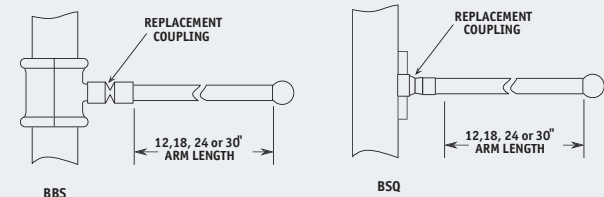


Contemporary Egress Adapter—EPA-C



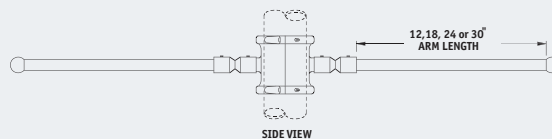
Traditional Egress Adapter—EPA-T

BANNER ARMS



BBS

BSQ



SIDE VIEW

Please visit www.aal.net for a complete listing of our poles/arms/accessories





BRAND PROFILE

Founded in 1979

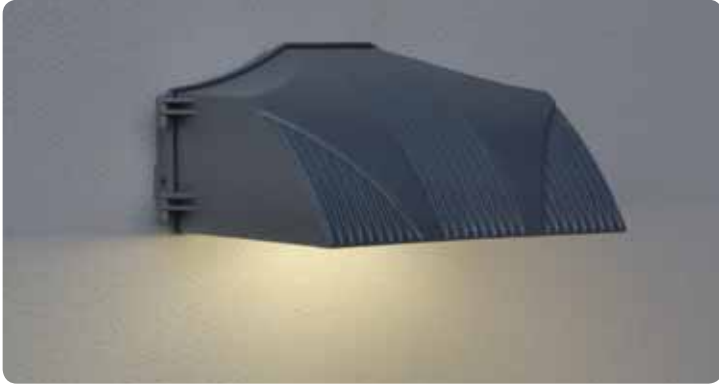
Beacon Products designs and manufactures high quality, specification grade outdoor LED products that deliver industry-leading performance for the commercial, municipal and community development markets. Beacon's focus specializes in providing the "complete solution" for the public space. Beacon's offering includes the industry's most diverse selection of site lighting and hardscape products in contemporary or period styles, and embodies the highest quality in construction, finishing, performance and design. Beacon is a 'one-stop' resource for Architects, Landscape Architects, Engineers and Lighting Designers.

PRODUCT OFFERING

A complete product offering is located on the website (<http://www.beaconproducts.com>) designed to guide the specifier. Products are grouped into the following categories for ease of selection:

- Area & Roadway
- Wall, Garage & Canopy
- Floodlighting
- Lighted Handrail
- LED Retrofit Kits
- Decorative Lighting
- Bollards
- Poles & Bases
- Arms & Brackets
- Site Furnishings





SITE/ROADWAY



Small Viper
page 232



Large Viper
page 233



Genesis
page 234



Cruzer
page 235



Urban Small
page 236



Urban Large
page 237

FLOODLIGHTING



Alpha Floodlight
page 238



Cadet Floodlight
page 239



FL-1
page 240



Traverse
page 241



Endura
page 242



Aurora
page 243



Ceileo
page 244

WALL

GARAGE/CANOPY

DECORATIVE



Slide
page 245



Seti
page 246



Mediterranean
page 247



London
page 248



Brighton
page 249



Monaco
page 250



Park Lane
page 251



La Jolla
page 252



Windsor
page 253



Waterford
page 254



Tivoli
page 255



Traditional
page 256



Bostonian
page 257



Pierwalk
page 258



Magna
page 259



LRK-2V
page 260



LRK-3D
page 261

BOLLARDS

HANDRAIL

POLES

ARMS



LC5
page 262



Metro
page 263



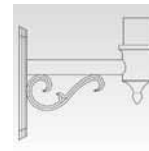
Bristol Park
page 264



Longitude
page 265



Poles
page 266



Arms
page 267

VP-S

Viper (Small)

SITE/ROADWAY



FEATURES

- The Beacon Viper luminaire is available in two sizes with a wide choice of different LED wattage configurations and optical distributions designed to replace HID lighting up to 1000W MH or HPS and with 5 different mounting options for application in a wide variety of new and existing installations.
- Each Viper luminaire is supplied with an one piece optical cartridge system consisting of an LED engine, LED lamps, optics, gasket and stainless steel bezel.
- A thermal circuit, LIFESHIELD™, shall protect the luminaire from excessive temperature by interfacing with the 0-10V dimmable drivers to reduce drive current as necessary.
- Aluminum thermal clad board with 0.062" thick aluminum base layer, thermally conductive dielectric layer, 0.0014" thick copper circuit layer circuit layer designed with copper pours to minimize thermal impedance across dielectric.

ORDERING INFORMATION

VP-S

MODEL

VP-S Viper (Small)

CCT-COLOR TEMP

5K 5000° K (std.)
4K 4000° K
3K 3000° K

VOLTAGE

UNV 120-277V
347 347V
480 480V

MOUNTING OPTIONS

RA Rectangular Arm
SF2 2 3/8" OD Slipfitter
PK2 2 3/8" Adjustable Knuckle
WB Wall Bracket

COLOR

BBT Basic Black Textured
BMT Black Matte Textured
WHT White Textured
MBT Metallic Bronze Textured
BZT Bronze Textured
GYS Gray Smooth
DPS Dark Platinum Smooth
GNT Green Textured
MST Metallic Silver Textured
MTT Metallic Titanium Textured
OWI Old World Iron
_RAL

ENGINE-WATTS

22NB-50 50 Watts
22NB-70 70 Watts
30NB-70 70 Watts
30NB-90 90 Watts

OPTICS

T2 Type II
T3 Type III
T4 Type IV
T5R Rectangular
T5QM Sq. Medium
T5W Round Wide

ELECTRICAL OPTIONS

PCR-TL Photocell, Twist-lock
PCR-SC Photocell, Shorting Cap
NP No Photocontrol
2PF Dual Power Feed ^{1,2}

STANDARD ELECTRICAL OPTIONS

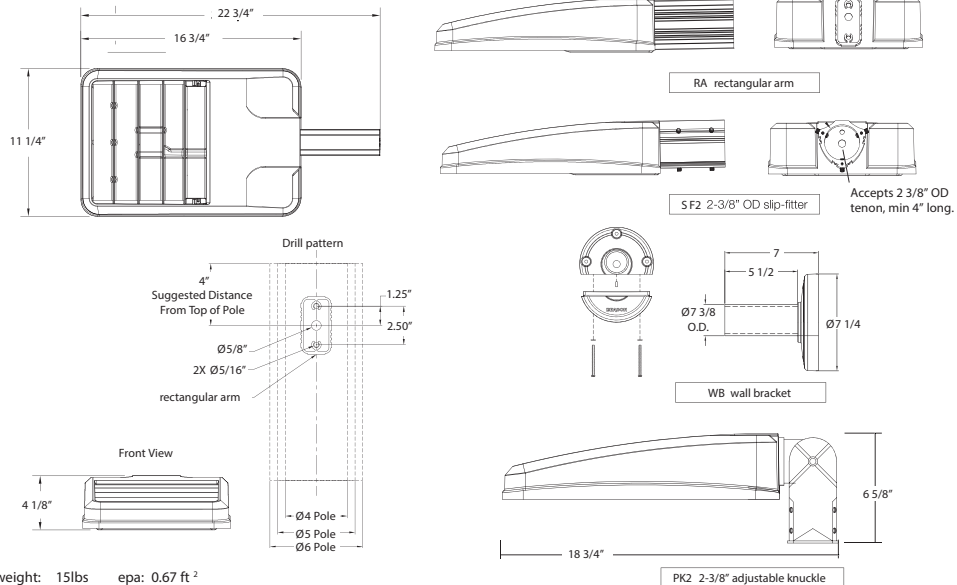
Lifeshield™ Thermal Protection
 20K-Surge Protection ³
 Dimming Drivers

¹ Not available **30NB-90**

² Not available @ **347/480V** input

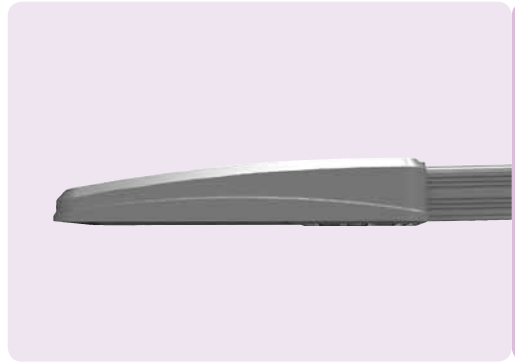
³ Not available @ **347V** input

DETAILS



FEATURES

- The Beacon Viper luminaire is available in two sizes with a wide choice of different LED wattage configurations and optical distributions designed to replace HID lighting up to 1000W MH or HPS and with 5 different mounting options for application in a wide variety of new and existing installations. Luminaires are suitable for wet locations.
- Each Viper luminaire is supplied with an one piece optical cartridge system consisting of an LED engine, LED lamps, optics, gasket and stainless steel bezel.
- A thermal circuit, LIFESHIELD™, shall protect the luminaire from excessive temperature by interfacing with the 0-10V dimmable drivers to reduce drive current as necessary.
- Aluminum thermal clad board with 0.062" thick aluminum base layer, thermally conductive dielectric layer, 0.0014" thick copper circuit layer circuit layer designed with copper pours to minimize thermal impedance across dielectric.

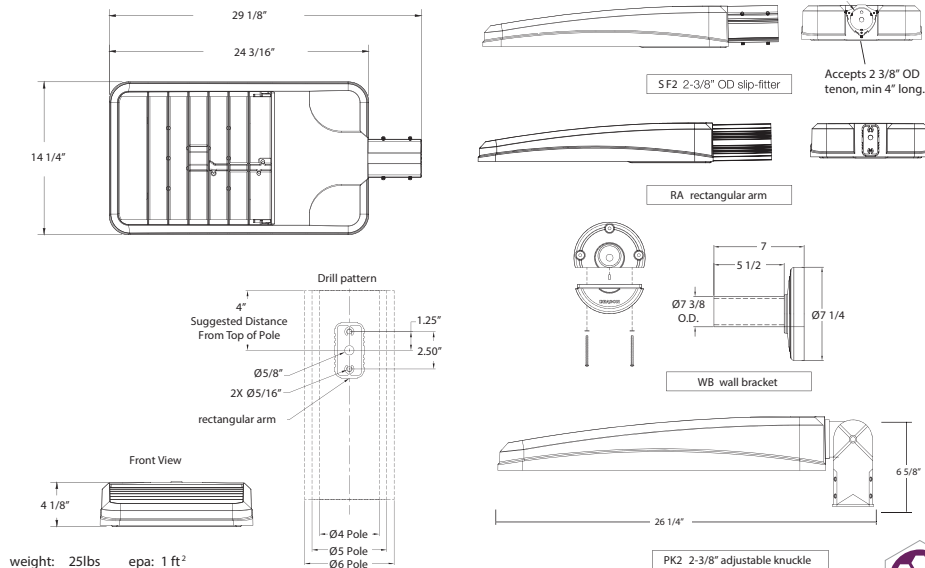


ORDERING INFORMATION

VP-L				
MODEL	CCT-COLOR TEMP	VOLTAGE	MOUNTING OPTIONS	COLOR
VP-L Viper (Large)	5K 5000° K (std.) 4K 4000° K 3K 3000° K	UNV 120-277V 347 347V 480 480V	RA Rectangular Arm SF2 2 3/8" OD Slipfitter PK2 2 3/8" Adjustable Knuckle WB Wall Bracket	BBT Basic Black Textured BMT Black Matte Textured WHT White Textured MBT Metallic Bronze Textured BZT Bronze Textured GYS Gray Smooth DPS Dark Platinum Smooth GNT Green Textured MST Metallic Silver Textured MTT Metallic Titanium Textured OWI Old World Iron _RAL
ENGINE-WATTS	OPTICS	ELECTRICAL OPTIONS		
64NB-135 135 Watts 64NB-190 190 Watts 80NB-180 180 Watts 80NB-235 235 Watts 96NB-220 220 Watts 96NB-280 280 Watts	T2 Type II T3 Type III T4 Type IV T5R Rectangular T5QM Sq. Medium T5W Round Wide	PCR-TL Photocell, Twist-lock PCR-SC Photocell, Shorting Cap NP No Photocontrol 2PF Dual Power Feed ^{1,2}	STANDARD ELECTRICAL OPTIONS Lifeshield™ Thermal Protection 20K-Surge Protection ³ Dimming Drivers	

¹ Not available 64NB-145
² Not available @ 347/480V input
³ Not available @ 347V input

DETAILS



GEN

Genesis

SITE/ROADWAY



FEATURES

- Each Beacon Genesis luminaire is available with 2" slip fitter mounting or optional adjustable knuckle mount with field replaceable LED engine & optical bezel systems.
- Each Genesis luminaire is supplied with an Optical one piece cartridge system consisting of an LED engine, LED lamps, optics, gasket and stainless steel bezel.
- The Genesis' monolithic housing design creates over 6.9ft² of heat-sinking surface area per linear ft through the use of its patent-pending horizontally-opposed fin design.
- Although the Genesis luminaire is designed to operate for many years without maintenance, accessibility is a key component in its design. When the tool less end cap is hinged open, the pullout component tray is revealed and may be simply removed without the use of tools.
- The luminaire shall bear a CSA label and be marked suitable for wet locations.
- A thermal circuit, LIFESHIELD™, shall protect the luminaire from excessive temperature by interfacing with the 0-10V dimmable drivers to reduce drive current as necessary.

ORDERING INFORMATION



MODEL
GEN-C Genesis C
GEN-F Genesis F

CCT-COLOR TEMP
5K 5000° K (std.)
4K 4000° K
3K 3000° K

VOLTAGE
UNV 120-277V
347 347V
480 480V

MOUNTING OPTIONS
SF2 2³/₈" OD Slipfitter
PK2 2³/₈" Adjustable Knuckle
WM Wall Mount
YM Yoke Mount

ENGINE-WATTS
24NB-27 27 Watts
24NB-55 55 Watts
36NB-80 80 Watts
48NB-110 110 Watts
60NB-136 136 Watts

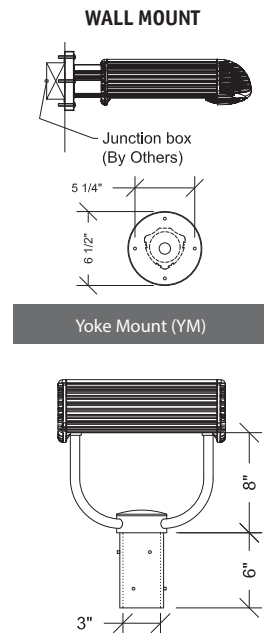
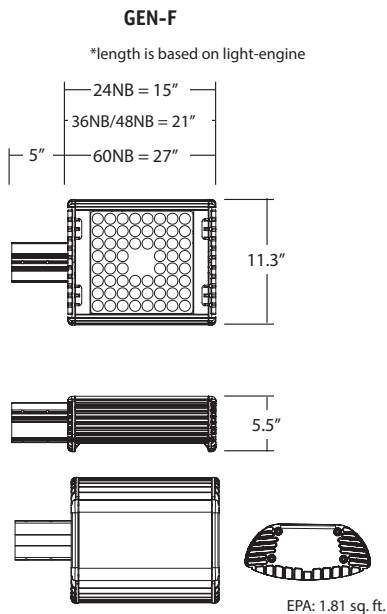
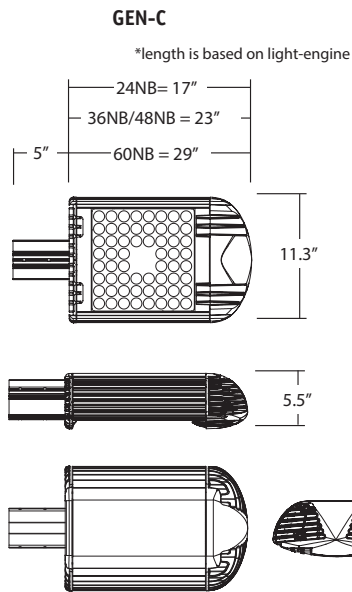
OPTICS
T2 Type II
T3 Type III
T4 Type IV
T5R Rectangular
T5QM Sq. Medium
T5W Round Wide

ELECTRICAL OPTIONS
PCR-TL Photocell, Twist-lock
PCR-SC Photocell, Shorting Cap
NP No Photocontrol
2PF Dual Power Feed ^{1,2}
STANDARD ELECTRICAL OPTIONS
 Lifeshield™ Thermal Protection
 20K-Surge Protection ³
 Dimming Drivers

COLOR
BBT Basic Black Textured
BMT Black Matte Textured
WHT White Textured
MBT Metallic Bronze Textured
BZT Bronze Textured
GYS Gray Smooth
DPS Dark Platinum Smooth
GNT Green Textured
MST Metallic Silver Textured
MTT Metallic Titanium Textured
OWI Old World Iron
_RAL

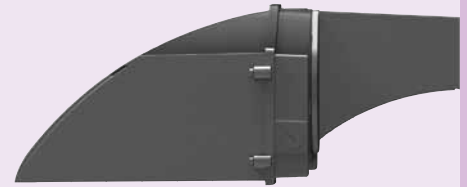
¹ Not available 30NB-90
² Not available @ 347/480V input
³ Not available @ 347V input

DETAILS



FEATURES

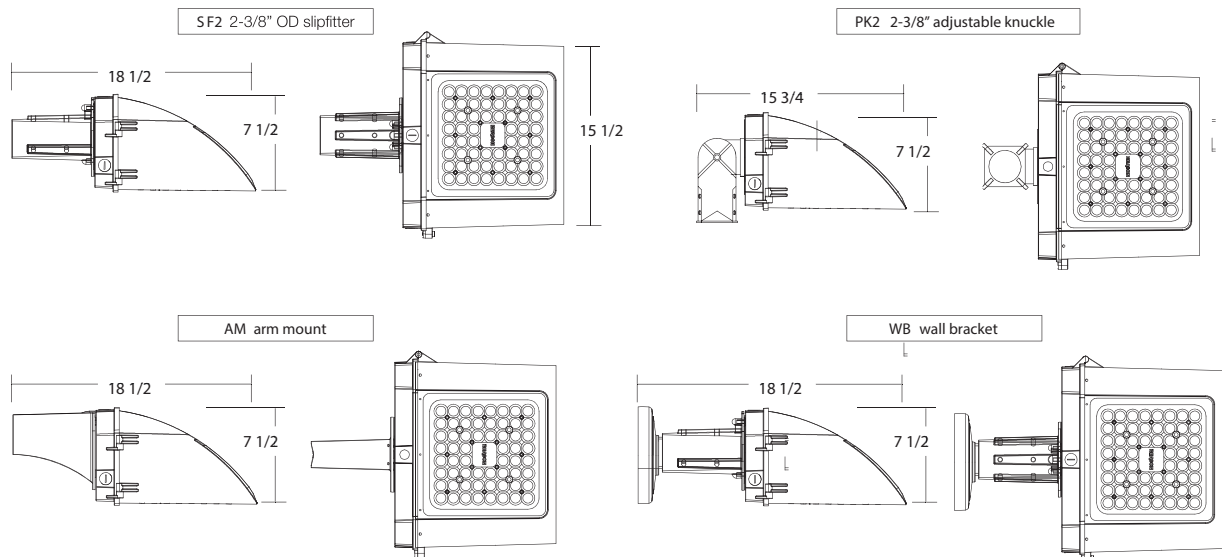
- The Beacon CRZ luminaire is a pole mounted luminaire with a field replaceable LED light engine & optical bezel system.
- The Beacon CRZ luminaire consists of a die cast aluminum two-piece housing.
- The rear housing (back plate) is designed with various bolt patterns for direct wall mounting or mounting to a recessed 4" junction box
- Beacon CRZ luminaires are available with an optional passive infrared (PIR) motion sensor capable of detecting motion within 24 feet of the sensor, 360° around the luminaire, when placed at an 8 foot mounting height.
- Luminaires are equipped with an LED driver that accepts 100V through 277V, 50 Hz to 60 Hz (UNIV), or a driver that accepts 347V or 480V input.
- The onboard surge protector shall be a UL recognized component for the United States and Canada and have a surge current rating of 10,000 Amps using the industry standard 8/20 pSec wave.
- A thermal circuit, LIFESHIELD™, shall protect the luminaire from excessive temperature by interfacing with the 0-10V dimmable drivers to reduce drive current as necessary.



ORDERING INFORMATION

CRZ							
MODEL CRZ Cruszer	CCT-COLOR TEMP 5K 5000° K (std.) 4K 4000° K 3K 3000° K	OPTICS T2 Type II T3 Type III T4 Type IV T5R Rectangular T5QM Sq. Medium T5W Round Wide	VOLTAGE UNV 120-277V 347 347V 480 480V	MOUNTING OPTIONS SF2 2-3/8" OD Slipfitter PK2 2-3/8" Adjustable Knuckle WB Wall Bracket AM Arm Mount	ENGINE-WATTS 24NB-27 27 Watts 24NB-55 55 Watts 36NB-80 80 Watts 48NB-110 110 Watts 60NB-136 136 Watts	ELECTRICAL OPTIONS PEC Photobutton Control (specify voltage) 2PF Dual Power Feed ^{1,2} MOB Motion Sensor w/ 33% or 50% Dimming (not available on 48NB-110 & 60NB-136) OCS Occupancy Sensor (on/off only)	COLOR BBT Basic Black Textured BMT Black Matte Textured WHT White Textured MBT Metallic Bronze Textured BZT Bronze Textured GYS Gray Smooth DPS Dark Platinum Smooth GNT Green Textured MST Metallic Silver Textured MTT Metallic Titanium Textured OWI Old World Iron _RAL
¹ Not available on 24NB-27 ² Not available @ 347/480V input ³ Not available @ 347V input MOB ORDERING INFORMATION: When ordering a fixture with the motion detection option (MOB), please specify the appropriate information. These settings are specified in the ordering as shown in the example below. CRZ - 48NB110 - T5SW - UNV - MOB - 1 to 30 min. - 33% or 50% - ?? - MT High to Dim Delay Low Level Mounting Height (ft.)							

DETAILS



CAP, MRDS, MAR

Urban (Small)



SITE/ROADWAY

FEATURES

- The drivers shall be located in the top cast housing and shall be accessible without tools by hinging the lower shade assembly. The driver and all electrical components shall be on a tray. The lower shade shall be made from a one-piece aluminum spinning.
- Each Beacon luminaire is supplied with an Optical one piece cartridge system consisting of an LED engine, LED lamps, optics, gasket and stainless steel bezel.
- The onboard surge protector shall be a UL recognized component for the United States and Canada and have a surge current rating of 10,000 Amps using the industry standard 8/20 pSec wave.
- A thermal circuit, LIFESHIELD™, shall protect the luminaire from excessive temperature by interfacing with the 0-10V dimmable drivers to reduce drive current as necessary.
- The luminaire shall bear a CSA label and be marked suitable for wet locations.

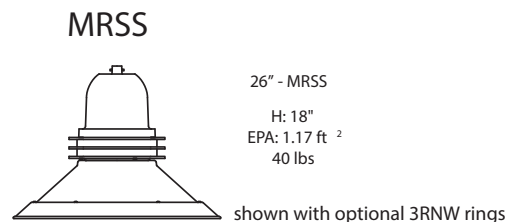
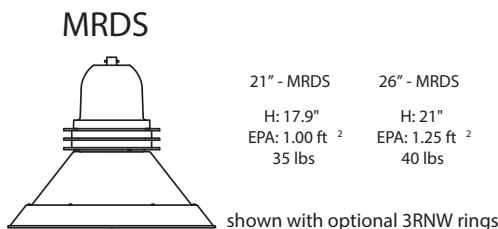
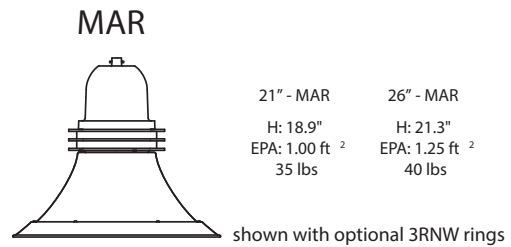
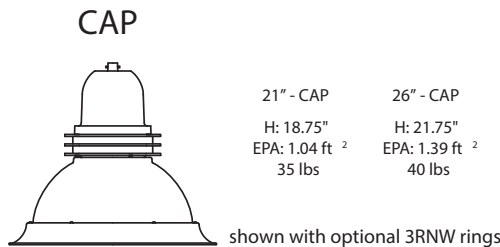
ORDERING INFORMATION

MODEL	CCT-COLOR TEMP	VOLTAGE	MOUNTING OPTIONS	COLOR
CAP-21 Capitol 21	5K 5000° K (std.)	UNV 120-277V	NRNW No Rings	BBT Basic Black Textured
MRDS-21 Miramar Deep Shade 21	4K 4000° K	347 347V	3RNW Three Cast Rings	BMT Black Matte Textured
MAR-21 Maritas 21	3K 3000° K	480 480V		WHT White Textured
				MBT Metallic Bronze Textured
				BZT Bronze Textured
				GYS Gray Smooth
				DPS Dark Platinum Smooth
				GNT Green Textured
				MST Metallic Silver Textured
				MTT Metallic Titanium Textured
				OWI Old World Iron
				_RAL

ENGINE-WATTS	OPTICS	ELECTRICAL OPTIONS
24NB-27 27 Watts	T2 Type II	PEC Button Photocell (specify voltage)
24NB-55 55 Watts	T3 Type III	2PF Dual Power Feed ^{1,2}
36NB-80 80 Watts	T4 Type IV	STANDARD ELECTRICAL OPTIONS
	T5R Rectangular	Lifeshield™ Thermal Protection
	T5QM Sq. Medium	20K-Surge Protection ³
	T5W Round Wide	Dimming Drivers

¹ Not available **24NB-27**
² Not available @ **347/480V** input
³ Not available @ **347V** input

DETAILS



CAP, MRSS, MRDS, MAR

Urban (Large)

FEATURES

- The drivers shall be located in the top cast housing and shall be accessible without tools by hinging the lower shade assembly. The driver and all electrical components shall be on a tray. The lower shade shall be made from a one-piece aluminum spinning.
- Each Beacon luminaire is supplied with an Optical one piece cartridge system consisting of an LED engine, LED lamps, optics, gasket and stainless steel bezel.
- The onboard surge protector shall be a UL recognized component for the United States and Canada and have a surge current rating of 10,000 Amps using the industry standard 8/20 pSec wave.
- A thermal circuit, LIFESHIELD™, shall protect the luminaire from excessive temperature by interfacing with the 0-10V dimmable drivers to reduce drive current as necessary.
- The luminaire shall bear a CSA label and be marked suitable for wet locations.



SITE/ROADWAY

ORDERING INFORMATION

MODEL	CCT-COLOR TEMP	VOLTAGE	MOUNTING OPTIONS	COLOR
CAP-26 Capitol 26	5K 5000° K (std.)	UNV 120-277V	NRNW No Rings	BBT Basic Black Textured
MRSS-26 Miramar Shallow Shade 26	4K 4000° K	347 347V	3RNW Three Cast Rings	BMT Black Matte Textured
MRDS-26 Miramar Deep Shade 26	3K 3000° K	480 480V		WHT White Textured
MAR-26 Maritas 26				MBT Metallic Bronze Textured
				BZT Bronze Textured
				GYS Gray Smooth
				DPS Dark Platinum Smooth
				GNT Green Textured
				MST Metallic Silver Textured
				MTT Metallic Titanium Textured
				OWI Old World Iron
				_RAL

ENGINE-WATTS	OPTICS	ELECTRICAL OPTIONS
24NB-27 27 Watts	T2 Type II	PEC Button Photocell (specify voltage)
24NB-55 55 Watts	T3 Type III	2PF Dual Power Feed ^{1,2}
36NB-80 80 Watts	T4 Type IV	STANDARD ELECTRICAL OPTIONS
48NB-110 110 Watts	T5R Rectangular	Lifeshield™ Thermal Protection
60NB-136 136 Watts	T5QM Sq. Medium	20K-Surge Protection ³
	T5W Round Wide	Dimming Drivers

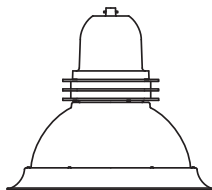
¹ Not available **24NB-27**

² Not available @ **347/480V** input

³ Not available @ **347V** input

DETAILS

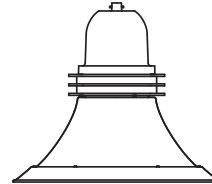
CAP



21" - CAP	26" - CAP
H: 18.75"	H: 21.75"
EPA: 1.04 ft ²	EPA: 1.39 ft ²
35 lbs	40 lbs

shown with optional 3RNW rings

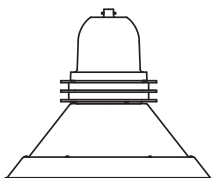
MAR



21" - MAR	26" - MAR
H: 18.9"	H: 21.3"
EPA: 1.00 ft ²	EPA: 1.25 ft ²
35 lbs	40 lbs

shown with optional 3RNW rings

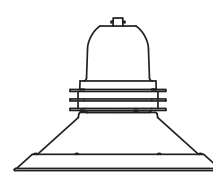
MRDS



21" - MRDS	26" - MRDS
H: 17.9"	H: 21"
EPA: 1.00 ft ²	EPA: 1.25 ft ²
35 lbs	40 lbs

shown with optional 3RNW rings

MRSS



26" - MRSS
H: 18"
EPA: 1.17 ft ²
40 lbs

shown with optional 3RNW rings

AL

Alpha Floodlight

FLOODLIGHTING



FEATURES

- The Alpha Luminaire is a high performance "LED" energy and maintenance lighting solution, designed with optical versatility.
- The housing, electrical compartment and fitter are made from die cast aluminum that is pre-treated and powder-coated to meet the most rugged industry standards.
- The adjustable knuckle is designed to slip fit 2 3/8" to 3" O.D. tenon.
- The fixture electrical compartment shall contain all LED driver components and shall be provided with an internal terminal block for AC power connections.
- The Alpha luminaire provides the best combination of vertical and horizontal illumination while reducing light behind the poles.
- Luminaires are equipped with an LED driver that accepts 100V through 277V, 50 Hz to 60 Hz (UNV), or a driver that accepts 347V or 480V input.
- A thermal circuit, LIFESHIELD™, shall protect the luminaire from excessive temperature by interfacing with the 0-10V dimmable drivers to reduce drive current as necessary.

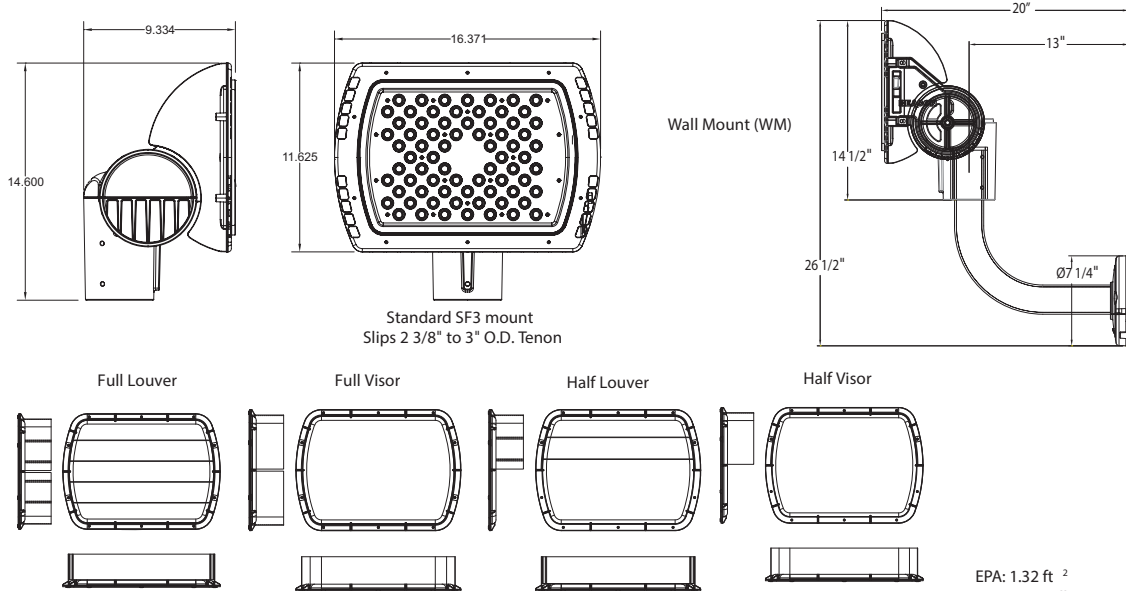
ORDERING INFORMATION



MODEL	CCT-COLOR TEMP	VOLTAGE	MOUNTING OPTIONS	SHIELD OPTIONS
AL-D Down (below horizon)	5K 5000° K (std.)	UNV 120-277V	WM Wall Mount	FL Full Louver
AL-U Up (above horizon)	4K 4000° K	347 347V	PM 3" Pier Mount	FV Full Visor
	3K 3000° K	480 480V	STANDARD MOUNTING	HL Half Louver
			SF3 2 3/8" OD Tenon	HV Half Visor
				PCL Protective Lens ⁴
ENGINE-WATTS	BEAM (10% MAX.)	ELECTRICAL OPTIONS	COLOR	
24NB-55 55 Watts	2x2 Narrow Spot	PEC Photobutton Control	BBT Basic Black Textured	
36NB-90 90 Watts	4x4 Narrow Flood	PCR-TL Photocell, Twist-lock	BMT Black Matte Textured	
60NB-136 136 Watts	5x5 Medium Flood	PCR-SC Photocell, Shorting Cap	WHT White Textured	
72NB-170 170 Watts	6x6 Wide Flood	NP No Photocontrol	MBT Metallic Bronze Textured	
72NB-220 220 Watts	5x3 Horizontal Flood	2PF Dual Power Feed ^{1,2}	BZT Bronze Textured	
	3x5 Vertical Flood	STANDARD ELECTRICAL OPTIONS	GYS Gray Smooth	
		Lifeshield™ Thermal Protection	DPS Dark Platinum Smooth	
		20K-Surge Protection ³	GNT Green Textured	
		Dimming Drivers	MST Metallic Silver Textured	
			MTT Metallic Titanium Textured	
			OWI Old World Iron	
			_RAL	

¹ Available 24NB-55, 72NB-170, and 72NB-220 only
² Not available @ 347/480V input
³ Not available @ 347V input
⁴ Required for AL-U

DETAILS



EPA: 1.32 ft²
 WEIGHT: 27 lbs.



Cadet Floodlight

FEATURES

- The Cadet Luminaire is a high performance LED energy and maintenance lighting solution, designed with optical versatility. Markets Include: Flags, Columns, Statues, Security, Building Flood-lighting, Landscapes. The Cadet LED Luminaire is intended to be used to reduce energy and maintenance associated with legacy HID lighting technology.
- The housing and electrical compartment are made from die cast aluminum that is pre-treated and powder-coated to meet the most rugged industry standards. The finish

is corrosion resistant to meet ASTM B-117, resists cracking or loss of adhesion per ASTM D522, resists surface impacts of up to 160 inch-pound. All external hardware is corrosion resistant.

- A thermal circuit, LIFESHIELD™, shall protect the luminaire from excessive temperature by interfacing with the 0-10V dimmable drivers to reduce drive current as necessary.
- The Luminaire shall bear a CSA label and be marked suitable for wet locations.

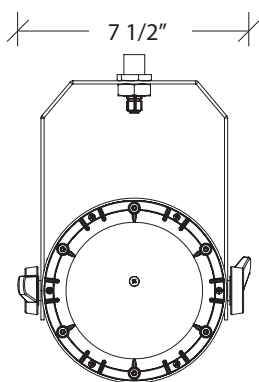


FLOODLIGHTING

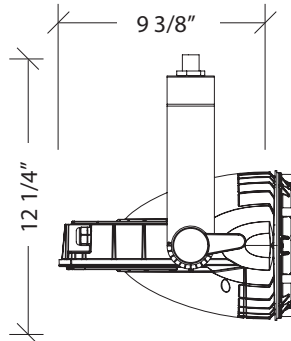
ORDERING INFORMATION

CDT	24NB-55			UNV			
MODEL CDT Cadet	CCT-COLOR TEMP 5K 5000° K (std.) 4K 4000° K 3K 3000° K	OPTICS 2×2 Narrow Spot 4×4 Narrow Flood 5×5 Medium Flood 6×6 Wide Flood 5×3 Horizontal Flood 3×5 Vertical Flood	VOLTAGE UNV 120-277V	ACCESSORIES HV Half Visor FV Full Visor	ENGINE-WATTS 24NB-55 55 Watts	MOUNTING OPTIONS YK Yoke Mount (std.) AJ Architectural Junction Box BX Brass Junction Box WA Wall & Ceiling Adaptor GS Ground Stake PA Cast Post-Top Adaptor TS Tree Strap 12NA 1/2" NPT Adaptor (std.) 34NA 3/4" NPT Adaptor (std.)	COLOR BBT Basic Black Textured BMT Black Matte Textured WHT White Textured MBT Metallic Bronze Textured BZT Bronze Textured GYS Gray Smooth DPS Dark Platinum Smooth GNT Green Textured MST Metallic Silver Textured MTT Metallic Titanium Textured OWI Old World Iron _RAL

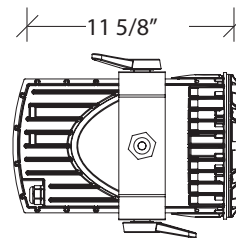
DETAILS



Front



Side



Top

FL-1

FL-1

FLOODLIGHTING



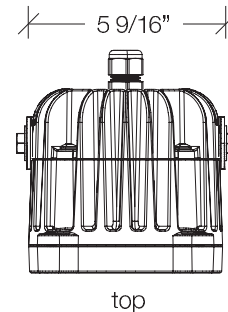
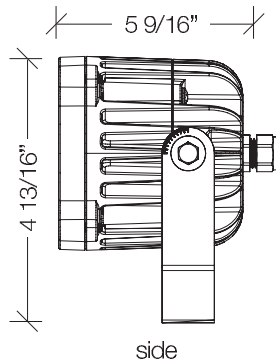
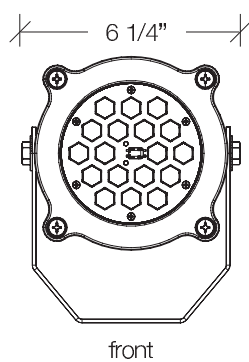
FEATURES

- Die cast aluminum body designed for maximum heat dissipation. All extruded aluminum components shall be alloy 6061-T6, 6063-T5 or equal.
- Luminaire is designed to mount to both horizontal and vertical surfaces through a number of mounting accessories.
- The electrical assembly shall be comprised of an electronic LED driver designed to operate the integral 6 or 12-LED light emitting diode light engine (LED source).
- The luminaires shall be UL listed and suitable for wet locations.
- II aluminum components shall be subjected to a 5-stage chrome-free pre-treatment process by immersion.

ORDERING INFORMATION

FL-1	12NB-25				
MODEL	ENGINE-WATTS	OPTICS	MOUNTING	ACCESSORIES	COLOR
FL-1 FL-1	12NB-25 25 Watts	2×2 Narrow Spot 4×4 Narrow Flood 5×5 Medium Flood 6×6 Wide Flood 5×3 Horizontal Flood 3×5 Vertical Flood	YK Yoke Mount (std.) AJ Architectural Junction Box BX Brass Junction Box WA Wall & Ceiling Adaptor GS Ground Stake PA Cast Post-Top Adaptor TS Tree Strap 12NA 1/2" NPT Adaptor (standard) 34NA 3/4" NPT Adaptor	VS Visor	BBT Basic Black Textured BMT Black Matte Textured WHT White Textured MBT Metallic Bronze Textured BZT Bronze Textured GYS Gray Smooth DPS Dark Platinum Smooth GNT Green Textured MST Metallic Silver Textured MTT Metallic Titanium Textured OWI Old World Iron _RAL

DETAILS



FEATURES

- The Beacon TRV luminaire is a wall mounted luminaire with a field replaceable LED light engine & optical bezel system. Internal components are totally enclosed in rain-tight and corrosion-resistant die cast aluminum housing. The TRV Luminaire is suitable for wet locations.
- The Beacon TRV luminaire consists of a die cast aluminum two-piece housing. The die cast main (thermal) housing provides direct heat exchange between the LED light engine and the cool outdoor air by drawing heat through integral heat channels and out to the sculptured and functional luminaire surface.
- The rear housing (back plate) is designed with various bolt patterns for direct wall mounting or mounting to a recessed 4" junction box. The rear housing has three integral 3/4" NPT power feed locations (bottom and each side) for surface mounted conduit applications.
- A thermal circuit, LIFESHIELD™, shall protect the luminaire from excessive temperature by interfacing with the 0-10V dimmable drivers to reduce drive current as necessary.

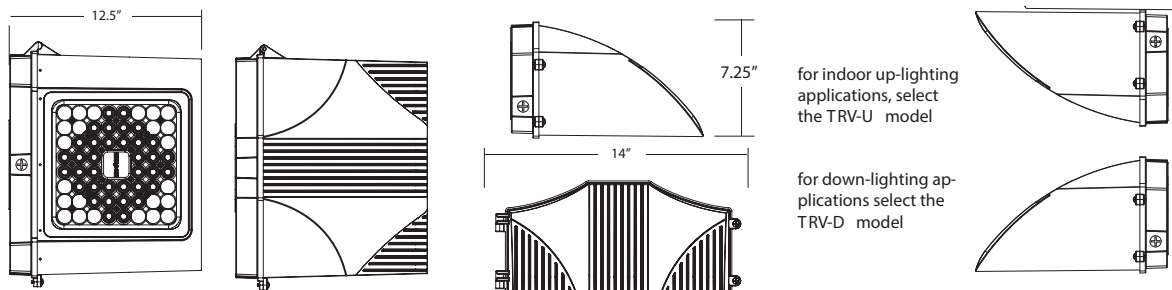


ORDERING INFORMATION

MODEL	CCT-COLOR TEMP	OPTICS	VOLTAGE	COLOR
TRV-D Traverse Down-light	5K 5000° K (std.)	T2 Type II	UNV 120-277V	BBT Basic Black Textured
TRV-U Traverse Up-light (indoor use only)	4K 4000° K	T3 Type III	347 347V	BMT Black Matte Textured
	3K 3000° K	T4 Type IV	480 480V	WHT White Textured
		T5R Rectangular		MBT Metallic Bronze Textured
				BZT Bronze Textured
ENGINE-WATTS	FLOOD OPTICS	ELECTRICAL OPTIONS	STANDARD ELECTRICAL OPTIONS	
24NB-27 27 Watts	2x2 Narrow Spot	PEC Button Photocell (specify voltage)	Lifeshield™ Thermal Protection	
24NB-55 55 Watts	5x5 Medium Flood	MOB Motion Sensor w/ 33% or 50% Dimming (not available on 48NB-110 & 60NB-136)	20K-Surge Protection ³	
36NB-80 80 Watts		2PF Dual Power Feed ^{1,2}	Dimming Drivers	
48NB-110 110 Watts		BPC Cold Weather Battery Pack ³		
60NB-136 136 Watts		OCS Occupancy Sensor (on/off only)		

¹ Not available **24NB-27**
² Not available @ **347/480V** input
³ Not available @ **347V** input

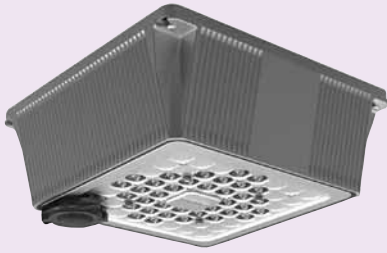
DETAILS



EDR

Endura

GARAGE/CANOPY



FEATURES

- The Beacon EDR luminaire is a ceiling surface mounted or pendant mounted parking structure luminaire with a field replaceable LED light-engine & optical bezel system.
- The Beacon EDR luminaire consists of a die cast aluminum two-piece housing.
- The top housing is designed with various bolt patterns for mounting to a recessed, surface or rigid-pendant hung 4" junction box junction box and rigid stem provided by others).
- Each Endura luminaire is supplied with an Optical one piece cartridge system consisting of an LED engine, LED lamps, optics, gasket and stainless steel bezel.
- Luminaires are equipped with an LED driver that accepts 100V through 277V, 50 Hz to 60 Hz (UNIV), or a driver that accepts 347V or 480V input.
- A thermal circuit, LIFESHIELD™, shall protect the luminaire from excessive temperature by interfacing with the 0-10V dimmable drivers to reduce drive current as necessary.

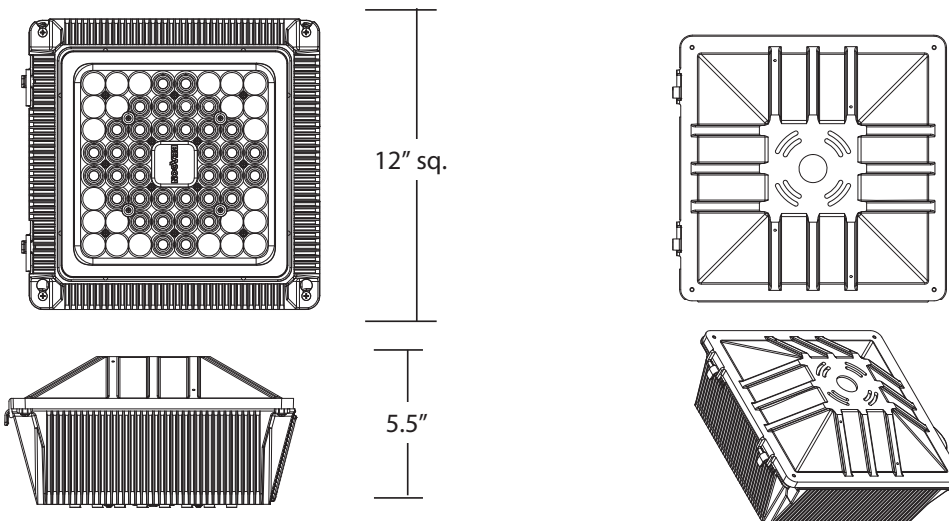
ORDERING INFORMATION

EDR					
MODEL EDR Endura	CCT-COLOR TEMP 5K 5000° K (std.) 4K 4000° K 3K 3000° K	OPTICS 5×5 Aisle Lighter T5R Rectangular T5QM Sq. Medium T5QN Sq. Narrow T5W Round Wide	VOLTAGE UNV 120-277V 347 347V 480 480V	ELECTRICAL OPTIONS PEC Photobutton Control (specify voltage) 2PF Dual Power Feed ^{1,2} MOB Motion Sensor w/ 33% or 50% Dimming (not available on 48NB-110) OCS Occupancy Sensor (on/off only) BPC Cold Weather Battery Pack (can only be used with the 36NB-80)	COLOR BBT Basic Black Textured BMT Black Matte Textured WHT White Textured MBT Metallic Bronze Textured BZT Bronze Textured GYS Gray Smooth DPS Dark Platinum Smooth GNT Green Textured MST Metallic Silver Textured MTT Metallic Titanium Textured OWI Old World Iron _RAL
ENGINE-WATTS 24NB-27 27 Watts 24NB-55 55 Watts 36NB-80 80 Watts 48NB-110 110 Watts		HIGHER MOUNTING APPLICATIONS 2×2 Narrow Spot 4×4 Narrow Flood 5×5 Medium Flood 5×3 Horizontal Flood	STANDARD ELECTRICAL OPTIONS Lifeshield™ Thermal Protection 20K-Surge Protection ¹ Dimming Drivers		

¹ Not available on 24NB-27
² Not available @ 347/480V input
³ Not available @ 347V input

MOB ORDERING INFORMATION: When ordering a fixture with the motion detection option (MOB), please specify the appropriate information. These settings are specified in the ordering as shown in the example below.
 CRZ - 48NB110 - T5SW - UNV - MOB - 1 to 30 min. - 33% or 50% - ?? - MT
 High to Dim Delay Low Level Mounting Height (ft.)

DETAILS



FEATURES

- Each Beacon Aurora luminaire is available with chain or cable hanging option or yoke mount with field replaceable LED engine & optical bezel systems.
- Each Aurora luminaire is supplied with up to three LED optical cartridge systems consisting of an LED engine, LED lamps, optics, gasket and stainless steel bezel.
- The Aurora's mono-lithic housing design creates over 6.9ft² of heat-sinking surface area per linear ft through the use of its patent-pending horizontally-opposed fin design.
- Luminaires are equipped with an LED driver that accepts 100V through 277V, 50 Hz to 60 Hz (UNV), or a driver that accepts 347V or 480V input.
- The luminaire shall bear a CSA label and be marked suitable for damp locations. Luminaire may be specified for wet locations.
- A thermal circuit, LIFESHIELD™, shall protect the luminaire from excessive temperature by interfacing with the 0-10V dimmable drivers to reduce drive current as necessary.

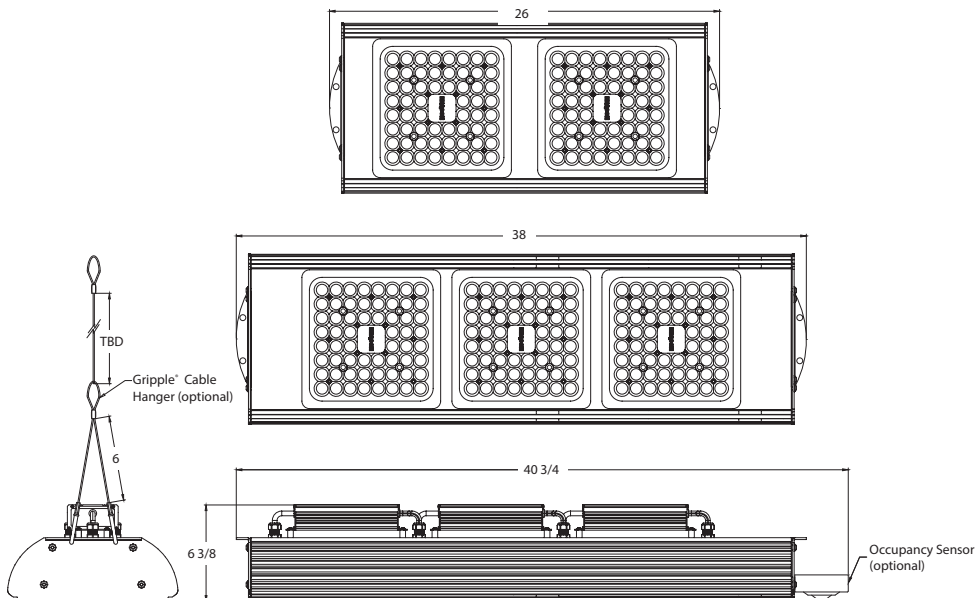


ORDERING INFORMATION

MODEL AUR2 Aurora 2 AUR3 Aurora 3	CCT-COLOR TEMP 5K 5000° K (std.) 4K 4000° K 3K 3000° K	OPTICS 2×2 Narrow Beam 4×4 Beam 5×5 Aisle Lighter 5×3 Beam 6×6 Beam T5R Rectangular T5QN Sq. Narrow T5QM Sq. Medium BL Bare Lamp	VOLTAGE UNV 120-277V 347 347V 480 480V	MOUNTING OPTIONS CH Chain or Cable Hung CM Custom Mount
ENGINE-WATTS 72NB-160 160 Watts 120NB-275 275 Watts 180NB-410 410 Watts	ELECTRICAL OPTIONS JBX Junction Box MDD Motion Dimming Detector (hi/lo) OCS Occupancy Sensor (on/off)	STANDARD ELECTRICAL OPTIONS Lifeshield™ Thermal Protection 20K-Surge Protection ¹ Dimming Drivers	COLOR BBT Basic Black Textured BMT Black Matte Textured WHT White Textured MBT Metallic Bronze Textured BZT Bronze Textured GYS Gray Smooth DPS Dark Platinum Smooth GNT Green Textured MST Metallic Silver Textured MTT Metallic Titanium Textured OWI Old World Iron _RAL	

¹ Not available @ 347V input

DETAILS



Ceileo

GARAGE/CANOPY



FEATURES

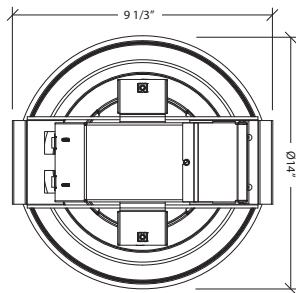
- Ceileo is a commercial grade LED Canopy downlight that utilizes high powered LED's utilizing precise efficient optical control and on board wattage and lumen choices. Ceileo is designed to replace up to 175w and 250 watt HID lamps, and at the same time reduce maintenance by delivery over 200,000 hours of projected life.
- The Beacon Ceileo luminaire consists of a cast aluminum external housing. The cast aluminum housing provides direct-heat exchange between the LED light engine and the cool outdoor air by drawing heat through integral heat channels and out to the sculptured and functional luminaire sur- face. LED drivers are thermally isolated from the main housing.
- A thermal circuit, LIFESHIELD™, shall protect the luminaire from excessive temperature by interfacing with the 0-10V dimmable drivers to reduce drive current as necessary.
- The Ceileo Luminaire is CSA listed and suitable for wet locations.

ORDERING INFORMATION

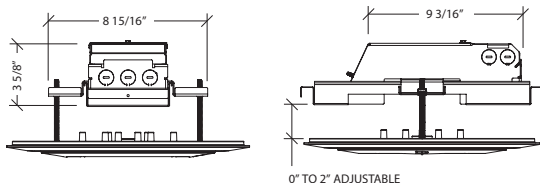
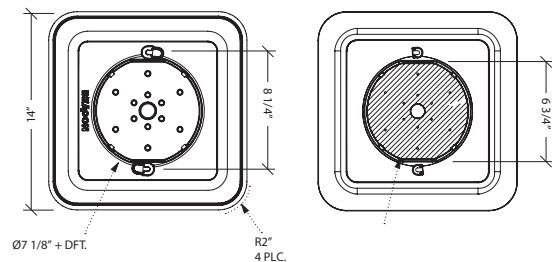
CLO	24NB-55					
MODEL	ENGINE-WATTS	CCT-COLOR TEMP	OPTICS	VOLTAGE	STYLE OPTIONS	COLOR
CLO Ceileo	24NB-55 55 Watts	5K 5000° K (std.) 4K 4000° K 3K 3000° K	5×5 Aisle Lighter T5R Type V, Rectangular T5QM Type V, Sq. Medium T5QN Type V, Sq. Narrow T5W Type V, Round Wide	UNV 120-277V 347 347V 480 480V	RD Round SQ Square	BBT Basic Black Textured BMT Black Matte Textured WHT White Textured MBT Metallic Bronze Textured BZT Bronze Textured GYS Gray Smooth DPS Dark Platinum Smooth GNT Green Textured MST Metallic Silver Textured MTT Metallic Titanium Textured OWI Old World Iron _RAL

DETAILS

ROUND DIMENSIONS



SQUARE DIMENSIONS



FEATURES

- All cast aluminum parts for the Beacon Slide luminaire shall be ASTM 356 marine grade alloy. The large upper shade shall be made from a one-piece aluminum spinning. The small top shade shall be removable for wiring access to the LED engine. The large upper shade provides direct-heat exchange between the LED light engine and the cool outdoor air.
- Each Beacon Slide luminaire is supplied with an Optical one piece cartridge system consisting of an LED engine, LED lamps, optics, gasket and stamped stainless steel bezel.
- Luminaires are equipped with an LED driver that accepts 100V through 277V, 50 Hz to 60 Hz (UNIV), or a driver that accepts 347V or 480V input. Power factor is .92 at full load.
- The luminaire shall bear a CSA label and be marked suitable for wet locations.
- A thermal circuit, LIFESHIELD™, shall protect the luminaire from excessive temperature by interfacing with the 0-10V dimmable drivers to reduce drive current as necessary.

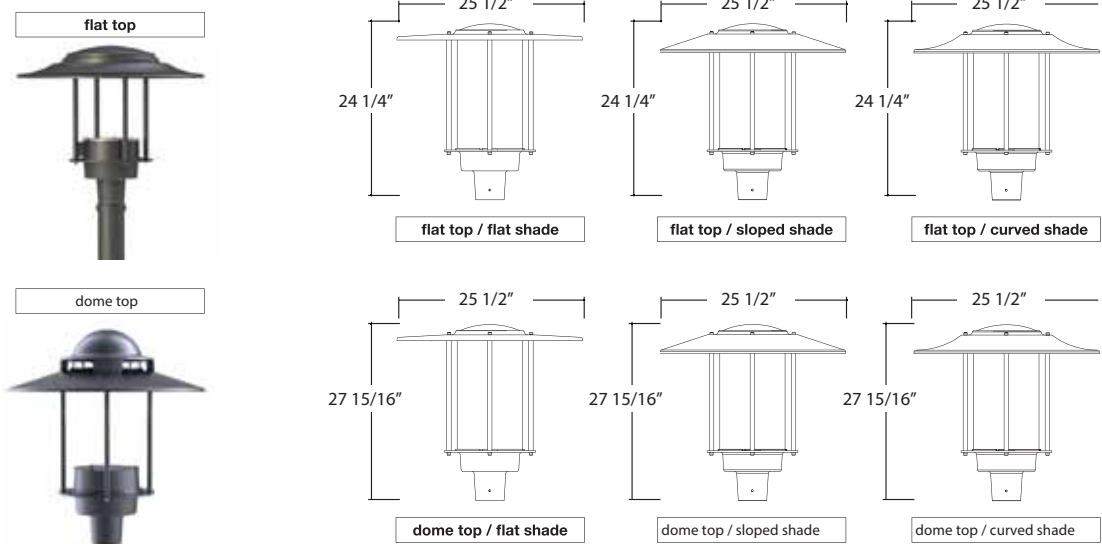


ORDERING INFORMATION

SLD																	
MODEL	ENGINE-WATTS	OPTICS		VOLTAGE		TOP		SHADE		LENS MATERIAL / FINISH		CCT-COLOR TEMP		ELECTRICAL OPTIONS		COLOR	
SLD Slide	24NB-27 27 Watts 24NB-55 55 Watts 36NB-80 80 Watts ¹ 48NB-110 110 Watts ¹	T2 Type II T3 Type III T4 Type IV T5R Rectangular T5QM Sq. Medium T5W Round Wide IND5 Indirect T5 ²	UNV 120-277V 347 347V 480 480V	FLT Flat Top DOM Dome ^{2,5}	FTS Flat STS Slope CTS Curved	AC Acrylic, Clear AF Acrylic, Frosted PC Polycarbonate, Clear PF Polycarbonate, Frosted NN No Lens	5K 5000° K (std.) 4K 4000° K 3K 3000° K	PEC Button Photocell (specify voltage) 2PF Dual Power Feed ³	BBT Basic Black Textured BMT Black Matte Textured WHT White Textured MBT Metallic Bronze Textured BZT Bronze Textured GYS Gray Smooth DPS Dark Platinum Smooth GNT Green Textured MST Metallic Silver Textured MTT Metallic Titanium Textured OWI Old World Iron _RAL	STANDARD ELECTRICAL OPTIONS		Lifeshield™ Thermal Protection 20K-Surge Protection ¹ Dimming Drivers					

¹ Not available with lens option
² 24NB-55 max
³ Not available @ 347/480V input
⁴ Not available @ 347V input
⁵ Requires lens

DETAILS



SETI

Seti

DECORATIVE



FEATURES

- The upper shade shall be a one piece aluminum plate. The underside of the shade shall be painted with a reflective white paint when a dark color is specified.
- Al! cast aluminum parts shall be ASTM356 marine grade alloy.
- The Indirect upper shade can be tilted 15 to 45 degrees for an asymmetrical light distribution.
- The reflector shall be enclosed in cast aluminum housing. The front cover is secured with four cap screws for re-lamping and internal access. The front glass element is clear, tempered glass. The front cover and electrical module are sealed with memory retentive, molded silicone gaskets.
- The onboard surge protector shall be a UL recognized component for the United States and Canada and have a surge current rating of 10,000 Amps using the industry standard 8/20 pSec wave.
- A thermal circuit, LIFESHIELD™, shall protect the luminaire from excessive temperature by interfacing with the 0-10V dimmable drivers to reduce drive current as necessary.

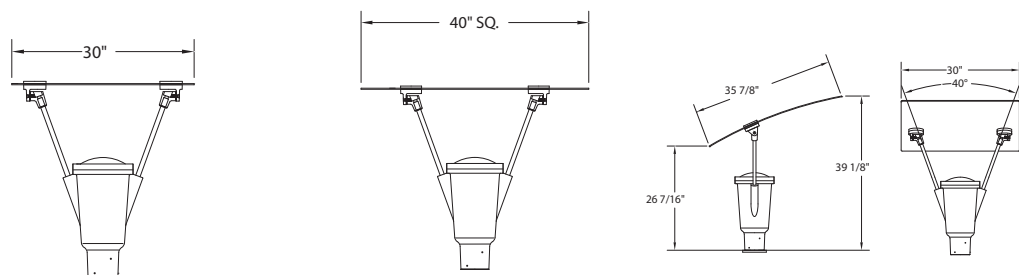
ORDERING INFORMATION

SETI					PEC		
MODEL	ENGINE-WATTS	VOLTAGE	SHADE	ELECTRICAL OPTIONS	COLOR		
SETI Seti	24NB-27 27 Watts 24NB-55 55 Watts	UNV 120-277V 347 347V 480 480V	30RD 30" Round 40RD 40" Round 30SQ 30" Square 40SQ 40" Square CRS Curved Rectangle Shade	PEC Photobutton Control (specify voltage) STANDARD ELECTRICAL OPTIONS Lifesield™ Thermal Protection 20K-Surge Protection ¹ Dimming Drivers	BBT Basic Black Textured BMT Black Matte Textured WHT White Textured MBT Metallic Bronze Textured BZT Bronze Textured GYS Gray Smooth DPS Dark Platinum Smooth GNT Green Textured MST Metallic Silver Textured MTT Metallic Titanium Textured OWI Old World Iron _RAL		

¹ Not available on 24NB-27

Note: The underside of the shade shall be painted white when other colors are specified.

DETAILS



FEATURES

- The Village series is a unique collection of traditional acorn style luminaires that set the architectural tone for many of our cities today. This luminaire is made up of fully interchangeable components. For specification, select a MODEL, a LENS OPTION, followed by a CAGE, and finally a HOUSING, and finish with the lighting performance details specific to your project requirements.
- All cast aluminum components shall be low copper alloy A356. All extruded aluminum components shall be alloy 6061-T6, 6063-T5 or equal. All spun components shall be alloy 1070, 3002 or 1100.
- The heavy spun aluminum dome shall be topped with a decorative cast aluminum finial (except Brighton). The dome shall be mechanically attached to the lens. The acrylic lens material shall be UV stabilized and impact resistant.
- An LED Bezel, is a one piece cartridge with, LEDs, optics, gasket and stainless steel face-plate. A thermal circuit, called LIFESHIELD™, shall protect the luminaire from excessive temperature by interfacing with the 0-10V dimmable drivers to reduce drive current as necessary.



ORDERING INFORMATION

T1						
MODEL		HOUSING	CCT-COLOR TEMP	VOLTAGE	OPTICS	COLOR
T1 Mediterranean		H1 Mediterranean H2 London H3 Monaco H4 Park Lane H5 Brighton	3K 3000° K 4K 4000° K 5K 5000° K	UNV 120-277V 347 347V 480 480V	DIR2 Type II DIR3 Type III DIR4 Type IV DIR5 Type V	BBT Basic Black Textured BMT Black Matte Textured WHT White Textured MBT Metallic Bronze Textured BZT Bronze Textured GYS Gray Smooth DPS Dark Platinum Smooth GNT Green Textured MST Metallic Silver Textured MTT Metallic Titanium Textured OWI Old World Iron _RAL
LENS OPTIONS	CAGE	SOURCE	ELECTRICAL OPTIONS			
AC Acrylic, Clear AF Acrylic, Frosted	C1 Mediterranean C2 London C3 Monaco C4 Park Lane C5 Brighton NC No Cage ¹	24NB-55 55 Watts 36NB-80 80 Watts 48NB-110 110 Watts	PEC Photocell, Button PCR-TL Photocell, Twist-lock ² PCR-SC Photocell, Shorting Cap ²			

¹ 55 Watts max
² H2 only

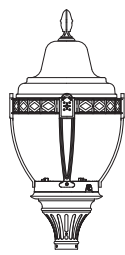
DETAILS



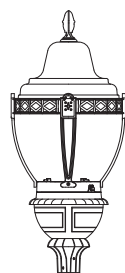
shown with standard Mediterranean configuration

Top: T1
Cage: C1
Housing: H1

Below displays several examples of the over 20 custom configurations available.



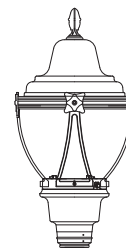
Top: T1
Cage: C1
Housing: H1



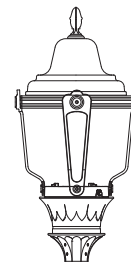
Top: T1
Cage: C1
Housing: H2



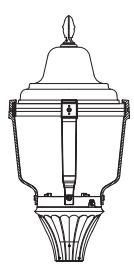
Top: T1
Cage: NC
Housing: H1



Top: T1
Cage: C2
Housing: H3



Top: T1
Cage: C3
Housing: H4



Top: T1
Cage: C5
Housing: H5

T2

London

DECORATIVE



FEATURES

- The Village series is a unique collection of traditional acorn style luminaires that set the architectural tone for many of our cities today. This luminaire is made up of fully interchangeable components. Specify a MODEL, a LENS OPTION, followed by a CAGE, and finally a HOUSING, and finish with the lighting performance details specific to project requirements.
- All cast aluminum components shall be low copper alloy A356. All extruded aluminum components shall be alloy 6061-T6, 6063-T5 or equal. All spun components shall be alloy 1070, 3002 or 1100.
- The heavy spun aluminum dome shall be topped with a decorative cast aluminum finial (except Brighton). The dome shall be mechanically attached to the lens. The acrylic lens material shall be UV stabilized and impact resistant.
- An LED Bezel, is a one piece cartridge with, LEDs, optics, gasket and stainless steel face-plate. A thermal circuit, called LIFESHIELD™, shall protect the luminaire from excessive temperature by interfacing with the 0-10V dimmable drivers to reduce drive current as necessary.

ORDERING INFORMATION

T2						
MODEL T2 London	HOUSING H1 Mediterranean H2 London H3 Monaco H4 Park Lane H5 Brighton		CCT-COLOR TEMP 3K 3000° K 4K 4000° K 5K 5000° K	VOLTAGE UNV 120-277V 347 347V 480 480V	OPTICS DIR2 Type II DIR3 Type III DIR4 Type IV DIR5 Type V	COLOR BBT Basic Black Textured BMT Black Matte Textured WHT White Textured MBT Metallic Bronze Textured BZT Bronze Textured GYS Gray Smooth DPS Dark Platinum Smooth GNT Green Textured MST Metallic Silver Textured MTT Metallic Titanium Textured OWI Old World Iron _RAL
LENS OPTIONS AC Acrylic, Clear AF Acrylic, Frosted	CAGE C1 Mediterranean C2 London C3 Monaco C4 Park Lane C5 Brighton NC No Cage ¹	SOURCE 24NB-55 55 Watts 36NB-80 80 Watts 48NB-110 110 Watts	ELECTRICAL OPTIONS PEC Photocell, Button PCR-TL Photocell, Twist-lock ² PCR-SC Photocell, Shorting Cap ²			

¹ 55 Watts max

² H2 only

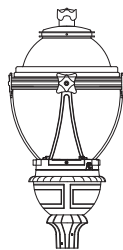
DETAILS



shown w th standard London configuration

Top: T2
Cage: C2
Housing: H2

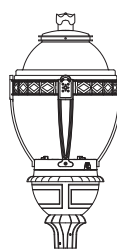
Below displays several examples of the over 20 custom configurations available.



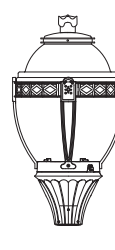
Top: T2
Cage: C2
Housing: H2



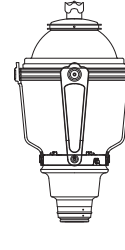
Top: T2
Cage: NC
Housing: H2



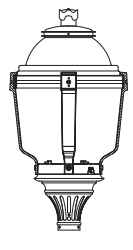
Top: T2
Cage: C1
Housing: H2



Top: T2
Cage: C1
Housing: H5



Top: T2
Cage: C3
Housing: H3



Top: T2
Cage: C5
Housing: H1

T5

Brighton

DECORATIVE

FEATURES

- The Village series is a unique collection of traditional acorn style luminaires that set the architectural tone for many of our cities today. This luminaire is made up of fully interchangeable components. Specify a MODEL, a LENS OPTION, followed by a CAGE, and finally a HOUSING, and finish with the lighting performance details specific to project requirements.
- All cast aluminum components shall be low copper alloy A356. All extruded aluminum components shall be alloy 6061-T6, 6063-T5 or equal. All spun components shall be alloy 1070, 3002 or 1100.
- The heavy spun aluminum dome shall be topped with a decorative cast aluminum finial (except Brighton). The dome shall be mechanically attached to the lens. The acrylic lens material shall be UV stabilized and impact resistant.
- An LED Bezel, is a one piece cartridge with, LEDs, optics, gasket and stainless steel face-plate. A thermal circuit, called LIFESHIELD™, shall protect the luminaire from excessive temperature by interfacing with the 0-10V dimmable drivers to reduce drive current as necessary.



ORDERING INFORMATION

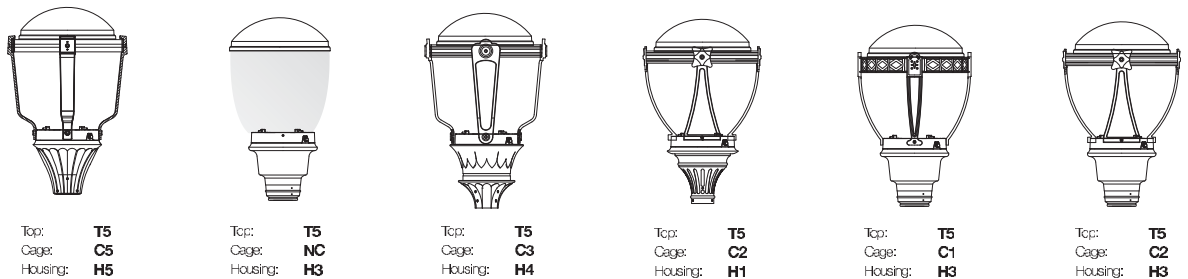
T5						
MODEL		HOUSING	CCT-COLOR TEMP	VOLTAGE	OPTICS	COLOR
T5 Brighton		H1 Mediterranean H2 London H3 Monaco H4 Park Lane H5 Brighton	3K 3000° K 4K 4000° K 5K 5000° K	UNV 120-277V 347 347V 480 480V	DIR2 Type II DIR3 Type III DIR4 Type IV DIR5 Type V	BBT Basic Black Textured BMT Black Matte Textured WHT White Textured MBT Metallic Bronze Textured BZT Bronze Textured GYS Gray Smooth DPS Dark Platinum Smooth GNT Green Textured MST Metallic Silver Textured MTT Metallic Titanium Textured OWI Old World Iron _RAL
LENS OPTIONS	CAGE	SOURCE	ELECTRICAL OPTIONS			
AC Acrylic, Clear AF Acrylic, Frosted	C1 Mediterranean C2 London C3 Monaco C4 Park Lane C5 Brighton NC No Cage ¹	24NB-55 55 Watts 36NB-80 80 Watts 48NB-110 110 Watts	PEC Photocell, Button PCR-TL Photocell, Twist-lock ² PCR-SC Photocell, Shorting Cap ²			

¹ 55 Watts max
² H2 only

DETAILS



Below displays several examples of the over 20 custom configurations available.



shown with standard Brighton configuration

Top: **T5**
Cage: **C5**
Housing: **H5**

T3

Monaco

DECORATIVE



FEATURES

- The Village series is a unique collection of traditional acorn style luminaires that set the architectural tone for many of our cities today. This luminaire is made up of fully interchangeable components. Specify a MODEL, a LENS OPTION, followed by a CAGE, and finally a HOUSING, and finish with the lighting performance details specific to project requirements.
- All cast aluminum components shall be low copper alloy A356. All extruded aluminum components shall be alloy 6061-T6, 6063-T5 or equal. All spun components shall be alloy 1070, 3002 or 1100.
- The heavy spun aluminum dome shall be topped with a decorative cast aluminum finial (except Brighton). The dome shall be mechanically attached to the lens. The acrylic lens material shall be UV stabilized and impact resistant.
- An LED Bezel, is a one piece cartridge with, LEDs, optics, gasket and stainless steel face-plate. A thermal circuit, called LIFESHIELD™, shall protect the luminaire from excessive temperature by interfacing with the 0-10V dimmable drivers to reduce drive current as necessary.

ORDERING INFORMATION

T3 - [] - [] - [] - [] - [] - [] - [] - [] - []						
MODEL T3 Monaco	HOUSING H1 Mediterranean H2 London H3 Monaco H4 Park Lane H5 Brighton		CCT-COLOR TEMP 3K 3000° K 4K 4000° K 5K 5000° K	VOLTAGE UNV 120-277V 347 347V 480 480V	OPTICS DIR2 Type II DIR3 Type III DIR4 Type IV DIR5 Type V	COLOR BBT Basic Black Textured BMT Black Matte Textured WHT White Textured MBT Metallic Bronze Textured BZT Bronze Textured GYS Gray Smooth DPS Dark Platinum Smooth GNT Green Textured MST Metallic Silver Textured MTT Metallic Titanium Textured OWI Old World Iron _RAL
LENS OPTIONS AC Acrylic, Clear AF Acrylic, Frosted	CAGE C1 Mediterranean C2 London C3 Monaco C4 Park Lane C5 Brighton NC No Cage ¹	SOURCE 24NB-55 55 Watts 36NB-80 80 Watts 48NB-110 110 Watts	ELECTRICAL OPTIONS PEC Photocell, Button PCR-TL Photocell, Twist-lock ² PCR-SC Photocell, Shorting Cap ²			

¹ 55 Watts max
² H2 only

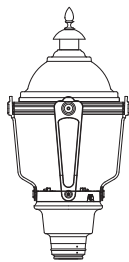
DETAILS



shown with standard Monaco configuration

Top: T3
Cage: C3
Housing: H3

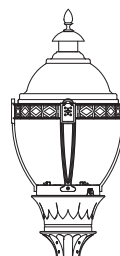
Below displays several examples of the over 20 custom configurations available.



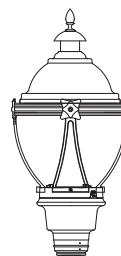
Top: T3
Cage: C3
Housing: H3



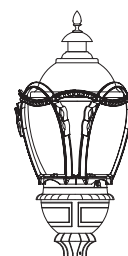
Top: T3
Cage: NC
Housing: H1



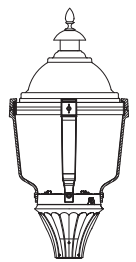
Top: T3
Cage: C1
Housing: H4



Top: T3
Cage: C2
Housing: H3



Top: T3
Cage: C4
Housing: H2



Top: T3
Cage: C5
Housing: H5

FEATURES

- The Village series is a unique collection of traditional acorn style luminaires that set the architectural tone for many of our cities today. This luminaire is made up of fully interchangeable components. Specify a MODEL, then a LENS OPTION, followed by a CAGE, and finally a HOUSING, and finish with the lighting performance details specific to project requirements.
- All cast aluminum components shall be low copper alloy A356. All extruded aluminum components shall be alloy 6061-T6, 6063-T5 or equal. All spun components shall be alloy 1070, 3002 or 1100.
- The heavy spun aluminum dome shall be topped with a decorative cast aluminum finial (except Brighton). The dome shall be mechanically attached to the lens. The acrylic lens material shall be UV stabilized and impact resistant.
- An LED Bezel, is a one piece cartridge with, LEDs, optics, gasket and stainless steel face-plate. A thermal circuit, called LIFESHIELD™, shall protect the luminaire from excessive temperature by interfacing with the 0-10V dimmable drivers to reduce drive current as necessary.



ORDERING INFORMATION

T4																			
MODEL		HOUSING		CCT-COLOR TEMP	VOLTAGE	OPTICS		COLOR											
T5 Park Lane		H1 Mediterranean H2 London H3 Monaco H4 Park Lane H5 Brighton		3K 3000° K 4K 4000° K 5K 5000° K	UNV 120-277V 347 347V 480 480V	DIR2 Type II DIR3 Type III DIR4 Type IV DIR5 Type V		BBT Basic Black Textured	BMT Black Matte Textured	WHT White Textured	MBT Metallic Bronze Textured	BZT Bronze Textured	GYS Gray Smooth	DPS Dark Platinum Smooth	GNT Green Textured	MST Metallic Silver Textured	MTT Metallic Titanium Textured	OWI Old World Iron	_RAL
LENS OPTIONS		CAGE		SOURCE		ELECTRICAL OPTIONS													
AC Acrylic, Clear AF Acrylic, Frosted		C1 Mediterranean C2 London C3 Monaco C4 Park Lane C5 Brighton NC No Cage ¹		24NB-55 55 Watts 36NB-80 80 Watts 48NB-110 110 Watts		PEC Photocell, Button PCR-TL Photocell, Twist-lock ² PCR-SC Photocell, Shorting Cap ²													

¹ 55 Watts max
² H2 only

DETAILS



shown with standard Park Lane configuration
Top: T4
Cage: C4
Housing: H4

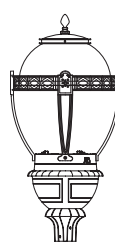
Below displays several examples of the over 20 custom configurations available.



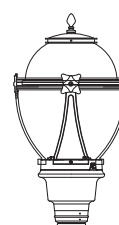
Top: T4
Cage: C4
Housing: H4



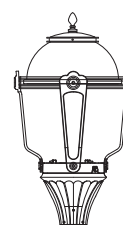
Top: T4
Cage: C1
Housing: NC



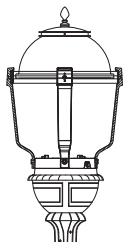
Top: T4
Cage: C1
Housing: H2



Top: T4
Cage: C2
Housing: H3



Top: T4
Cage: C3
Housing: H5



Top: T4
Cage: C5
Housing: H2

LAJ30

La Jolla



DECORATIVE

FEATURES

- The cast 6-sided cage shall accommodate UV stabilized acrylic or polycarbonate lenses (side panels) which shall be sealed for weather tight operation. All cast aluminum parts shall be low copper alloy A356. All extruded aluminum parts shall be alloy 6061-T6, 6063-T5 or equal. The upper chamber/lid shall be topped by a decorative cast aluminum finial/cap and mechanically fastened to the optical chamber. The electrical chamber/fitter shall be aluminum, decorative fitter shall mount to 3" OD x 3" H tenon and secured by three stainless steel set screws.
- Each luminaire is supplied with an optical one piece LED Bezel, with LEDs, optics, gaskets and stainless steel face-plate. A thermal circuit, called LIFESHIELD™, shall protect the luminaire from excessive temperature by interfacing with the 0-10V dimmable drivers to reduce drive current as necessary.

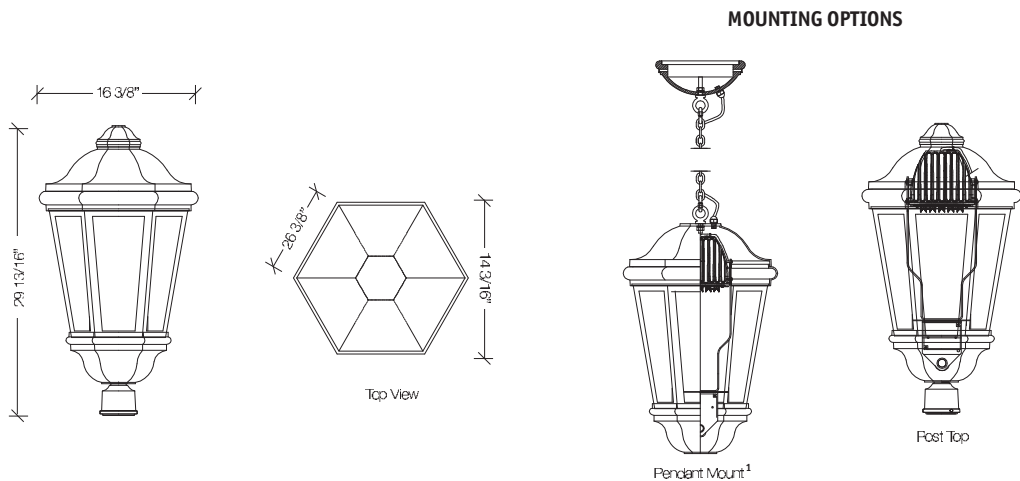
ORDERING INFORMATION

LAJ30 - [] - [] - [] - [] - [] - **PEC** - [] - []

MODEL	ENGINE-WATTS	CCT-COLOR TEMP	OPTICS	MOUNTING OPTIONS	COLOR
LAJ30 La Jolla 30"	24NB-55 55 Watts 48NB-110 110 Watts 60NB-136 136 Watts	3K 3000° K 4K 4000° K 5K 5000° K	DIR2 Direct, Type II DIR3 Direct, Type III DIR4 Direct, Type IV DIR5 Direct, Type V	PT Post Top PM Pendant Mount ¹	BBT Basic Black Textured BMT Black Matte Textured WHT White Textured MBT Metallic Bronze Textured BZT Bronze Textured GYS Gray Smooth DPS Dark Platinum Smooth GNT Green Textured MST Metallic Silver Textured MTT Metallic Titanium Textured OWI Old World Iron _RAL
LENS OPTIONS		VOLTAGE		ELECTRICAL OPTIONS	
AC Acrylic, Clear AF Acrylic, Frosted AS Acrylic, Seeded AW Acrylic, White PC Polycarbonate, Clear PF Polycarbonate, Frosted		UNV 120-277V 347 347V 480 480V		PEC Photocell, Button	

¹ Consult factory

DETAILS



WIN40

40" Windsor

FEATURES

- The cast 8-sided cage shall accommodate UV stabilized acrylic or polycarbonate lenses (side panels) which shall be sealed for weather tight operation. All cast aluminum parts shall be low copper alloy A356. All extruded aluminum parts shall be alloy 6061-T6, 6063-T5 or equal. The upper chamber/lid shall be topped by a decorative cast aluminum finial/cap and mechanically fastened to the optical chamber. The electrical chamber/fitter shall be an aluminum, decorative fitter and shall mount to 3"OD x 3"H tenon and secured by three stainless steel set screws.
- Each luminaire is supplied with an optical one piece LED Bezel, with LEDs, optics, gaskets and stainless steel face-plate. A thermal circuit, called LIFESHIELD™, shall protect the luminaire from excessive temperature by interfacing with the 0-10V dimmable drivers to reduce drive current as necessary.



DECORATIVE

ORDERING INFORMATION

WIN40 - [] - [] - [] - [] - [] - **PEC** - [] - [] - []

MODEL

WIN40 Windsor
40"

CCT-COLOR TEMP

3K 3000° K
4K 4000° K
5K 5000° K

OPTICS

DIR2 Type II
DIR3 Type III
DIR4 Type IV
DIR5 Type V

MOUNTING OPTIONS

PT Post Top
PM Pendant Mount ¹

COLOR

BBT Basic Black Textured
BMT Black Matte Textured
WHT White Textured
MBT Metallic Bronze Textured
BZT Bronze Textured
GYS Gray Smooth
DPS Dark Platinum Smooth
GNT Green Textured
MST Metallic Silver Textured
MTT Metallic Titanium Textured
OWI Old World Iron
_RAL

LENS OPTIONS

NN No Lens
AC Acrylic, Clear
AF Acrylic, Frosted
AS Acrylic, Seeded
AW Acrylic, White
PC Polycarbonate, Clear
PF Polycarbonate, Frosted

ENGINE-WATTS

24NB-55 55 Watts
36NB-80 80 Watts
48NB-110 110 Watts
60NB-136 136 Watts

VOLTAGE

UNV 120-277V
347 347V
480 480V

ELECTRICAL OPTIONS

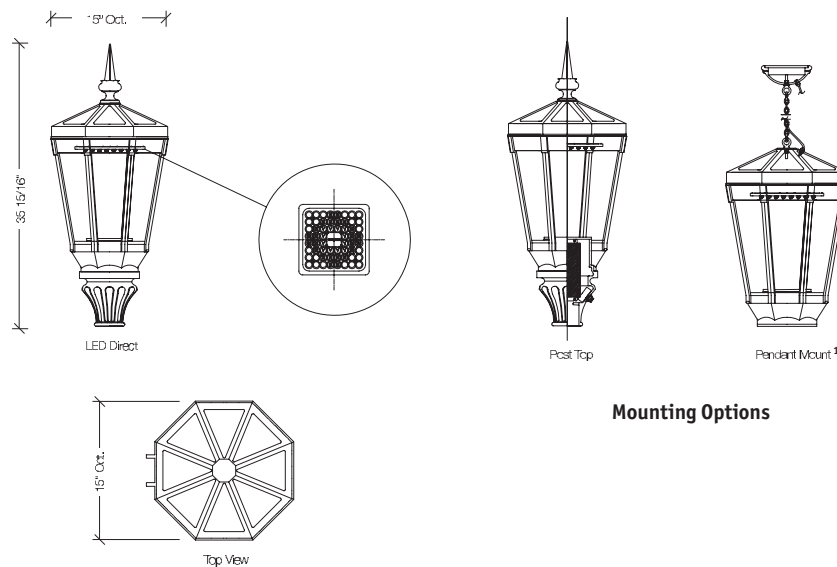
PEC Photocell, Button

STYLE OPTIONS

SPK Spikes

¹ Consult factory

DETAILS



Mounting Options

WAT44

44" Waterford

DECORATIVE



FEATURES

- The cast 6-sided cage shall accommodate UV stabilized acrylic or polycarbonate lenses (side panels) which shall be sealed for weather tight operation. All cast aluminum parts shall be low copper alloy A356. All extruded aluminum parts shall be alloy 6061-T6, 6063-T5 or equal. The upper chamber/lid shall be topped by a decorative cast aluminum finial/cap and mechanically fastened to the optical chamber. The electrical chamber/fitter shall be an aluminum, decorative fitter shall mount to 3"OD x 3"H tenon and secured by three stainless steel set screws.
- Each luminaire is supplied with an optical one piece LED Bezel, with LEDs, optics, gaskets and stainless steel face-plate. A thermal circuit, called LIFESHIELD™, shall protect the luminaire from excessive temperature by interfacing with the 0-10V dimmable drivers to reduce drive current as necessary.

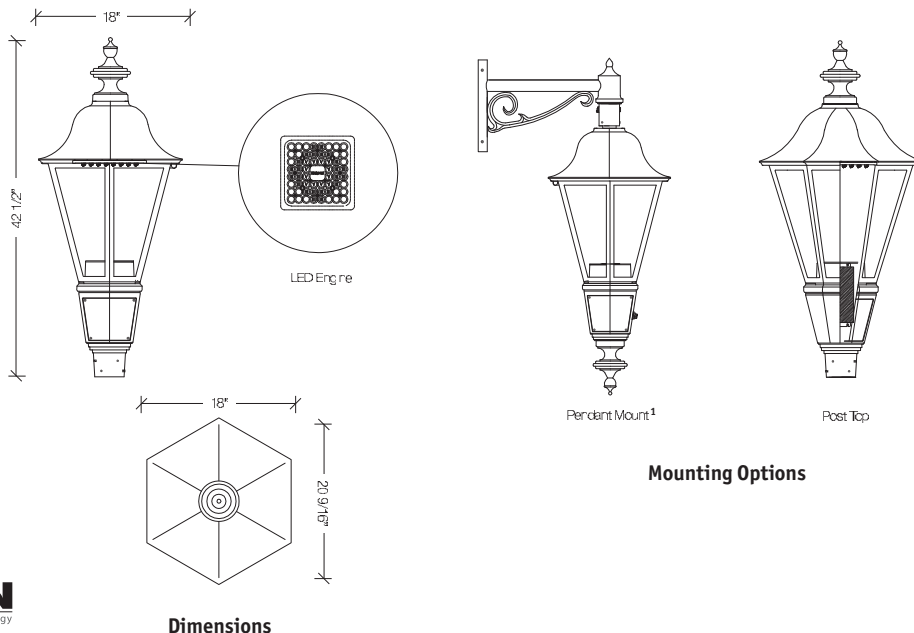
ORDERING INFORMATION

WAT44 - [] - [] - [] - [] - [] - **PEC** - [] - []

MODEL	ENGINE-WATTS	CCT-COLOR TEMP	OPTICS	MOUNTING OPTIONS	COLOR
WAT44 Waterford 44"	24NB-55 55 Watts 36NB-80 80 Watts 60NB-136 136 Watts	3K 3000° K 4K 4000° K 5K 5000° K	DIR2 Type II DIR3 Type III DIR4 Type IV DIR5 Type V	PT Post Top PM Pendant Mount ¹	BBT Basic Black Textured BMT Black Matte Textured WHT White Textured MBT Metallic Bronze Textured BZT Bronze Textured GYS Gray Smooth DPS Dark Platinum Smooth GNT Green Textured MST Metallic Silver Textured MTT Metallic Titanium Textured OWI Old World Iron _RAL
LENS OPTIONS	VOLTAGE	ELECTRICAL OPTIONS			
AC Acrylic, Clear AF Acrylic, Frosted AS Acrylic, Seeded PC Polycarbonate, Clear PF Polycarbonate, Frosted	UNV 120-277V 347 347V 480 480V	PEC Photocell, Button			

¹ Consult factory

DETAILS



TIV37

37" Tivoli

FEATURES

- All cast aluminum parts shall be low copper alloy A356. All extruded aluminum parts shall be alloy 6061-T6, 6063-T5 or equal. The fixture housing shall be a one piece casting. The interior shall be sealed for weather tight operation.
- Each luminaire is supplied with an optical one piece LED Bezel, with LEDs, optics, gaskets and stainless steel face-plate. A thermal circuit, called LIFESHIELD™, shall protect the luminaire from excessive temperature by interfacing with the 0-10V dimmable drivers to reduce drive current as necessary.



DECORATIVE

ORDERING INFORMATION

TIV37 - [] - [] - [] - [] - [] - **PEC** - [] - []

MODEL

TIV37 Tivoli 37"

CCT-COLOR TEMP

3K 3000° K
4K 4000° K
5K 5000° K

OPTICS

DIR2 Type II
DIR3 Type III
DIR4 Type IV
DIR5 Type V

STYLE OPTIONS

LVS Scrolls
TRF Traditional Fitter
FLF Frog Leg Fitter

COLOR

BBT Basic Black Textured
BMT Black Matte Textured
WHT White Textured
MBT Metallic Bronze Textured
BZT Bronze Textured
GYS Gray Smooth
DPS Dark Platinum Smooth
GNT Green Textured
MST Metallic Silver Textured
MTT Metallic Titanium Textured
OWI Old World Iron
_RAL

LENS OPTIONS

AC Acrylic, Clear
AF Acrylic, Frosted
AS Acrylic, Seeded
AW Acrylic, White
PC Polycarbonate, Clear
PF Polycarbonate, Frosted

ENGINE-WATTS

12NB-25 25 Watts
24NB-55 55 Watts
36NB-80 80 Watts
60NB-136 136 Watts

VOLTAGE

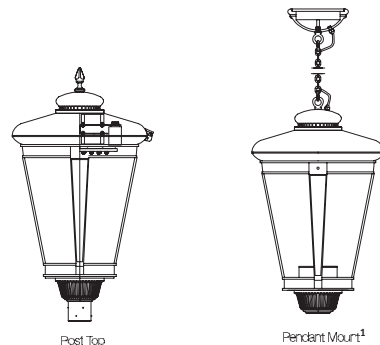
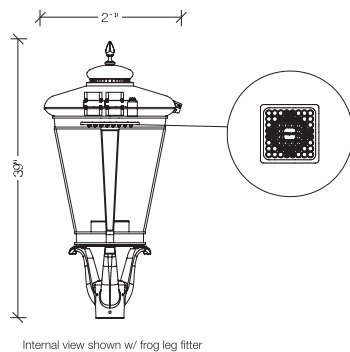
UNV 120-277V
347 347V
480 480V

ELECTRICAL OPTIONS

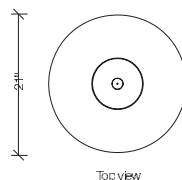
PEC Photocell, Button

¹ Consult factory

DETAILS



Mounting Options



Dimensions

TRA30

30" Traditional

DECORATIVE



FEATURES

- The cast 4-sided cage shall accommodate UV stabilized acrylic or polycarbonate lenses (side panels) which shall be sealed for weather tight operation. All cast aluminum parts shall be low copper alloy A356. All extruded aluminum parts shall be alloy 6061-T6, 6063-T5 or equal. The upper chamber/lid shall be topped by a decorative cast aluminum finial/cap and mechanically fastened to the optical chamber. The electrical chamber/fitter shall be an aluminum, decorative filter designed to accommodate the ballast assembly and shall mount to 3"OD x 3"H tenon and secured by three stainless steel set screws.
- Each luminaire is supplied with an optical one piece LED Bezel, with LEDs, optics, gaskets and stainless steel face-plate. A thermal circuit, called LIFESHIELD™, shall protect the luminaire from excessive temperature by interfacing with the 0-10V dimmable drivers to reduce drive current as necessary.

ORDERING INFORMATION

TRA30

PEC

MODEL

TRA30 Traditional
30"

CCT-COLOR TEMP

3K 3000° K
4K 4000° K
5K 5000° K

OPTICS

DIR2 Type II
DIR3 Type III
DIR4 Type IV
DIR5 Type V

MOUNTING OPTIONS

PT Post Top
PM Pendant Mount¹

COLOR

BBT Basic Black Textured
BMT Black Matte Textured
WHT White Textured
MBT Metallic Bronze Textured
BZT Bronze Textured
GYS Gray Smooth
DPS Dark Platinum Smooth
GNT Green Textured
MST Metallic Silver Textured
MTT Metallic Titanium Textured
OWI Old World Iron
_RAL

LENS OPTIONS

AC Acrylic, Clear
AF Acrylic, Frosted
AS Acrylic, Seeded
AW Acrylic, White
PC Polycarbonate, Clear
PF Polycarbonate, Frosted

ENGINE-WATTS

12NB-25 25 Watts
24NB-55 55 Watts
36NB-80 80 Watts
48NB-110 110 Watts
60NB-136 136 Watts

VOLTAGE

UNV 120-277V
347 347V
480 480V

ELECTRICAL OPTIONS

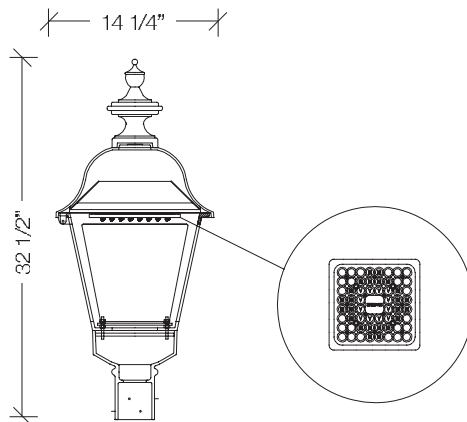
PEC Photocell, Button

STYLE OPTIONS

NF No Finial

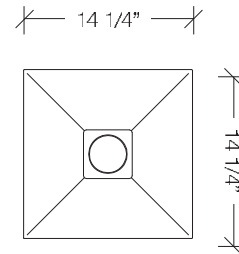
¹ Consult factory

DETAILS



LED direct

Dimensions



Top View

Mounting Options

BOS40

Bostonian

FEATURES

- The cast 4-sided cage shall accommodate UV stabilized acrylic or polycarbonate lenses (side panels) which shall be sealed for weather tight operation. The bottom housing / fitter shall be a cast aluminum, decorative fitter. The housing shall hinge open and allow access to the trayed electrical assembly and removable optical plug.
- Each luminaire is supplied with an optical one piece LED Bezel, with LEDs, optics, gaskets and stainless steel face-plate. A thermal circuit, called LIFESHIELD™, shall protect the luminaire from excessive temperature by interfacing with the 0-10V dimmable drivers to reduce drive current as necessary.

shall protect the luminaire from excessive temperature by interfacing with the 0-10V dimmable drivers to reduce drive current as necessary.



DECORATIVE

ORDERING INFORMATION

BOS40 - [] - [] - [] - [] - [] - **PEC** - [] - [] - []

MODEL

BOS40 Bostonian
40"

CCT-COLOR TEMP

3K 3000° K
4K 4000° K
5K 5000° K

OPTICS

DIR2 Type II
DIR3 Type III
DIR4 Type IV
DIR5 Type V

MOUNTING OPTIONS

PT Post Top
PM Pendant Mount¹

COLOR

BBT Basic Black Textured
BMT Black Matte Textured
WHT White Textured
MBT Metallic Bronze Textured
BZT Bronze Textured
GYS Gray Smooth
DPS Dark Platinum Smooth
GNT Green Textured
MST Metallic Silver Textured
MTT Metallic Titanium Textured
OWI Old World Iron
_RAL

LENS OPTIONS

AC Acrylic, Clear
AF Acrylic, Frosted
AS Acrylic, Seeded
AW Acrylic, White
PC Polycarbonate, Clear
PF Polycarbonate, Frosted

ENGINE-WATTS

24NB-55 55 Watts
36NB-80 80 Watts
60NB-136 136 Watts

VOLTAGE

UNV 120-277V
347 347V
480 480V

ELECTRICAL OPTIONS

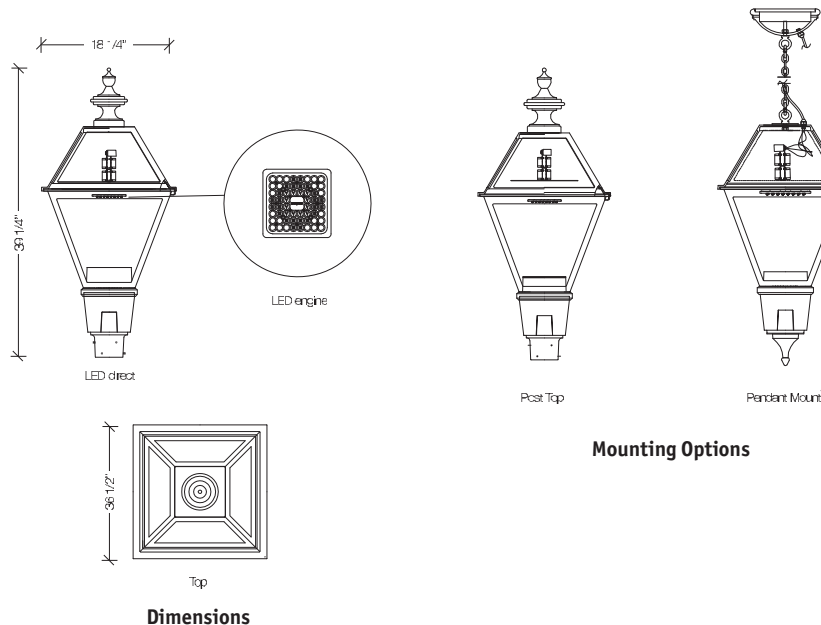
PEC Photocell, Button

STYLE OPTIONS

TRF Traditional Fitter
FLF Frog Leg Fitter

¹ Consult factory

DETAILS



PIE31

31" Pierwalk



DECORATIVE

FEATURES

- All cast aluminum parts shall be low copper alloy A356. All extruded aluminum parts shall be alloy 6061-T6, 6063-T5 or equal. The fixture ballast housing shall be a one piece casting. The decorative shade and disc elements shall be mechanically fastened to the cage assembly. The interior shall be sealed for weather-tight operation.
- Each luminaire is supplied with an optical one piece LED Bezel, with LEDs, optics, gaskets and stainless steel face-plate. A thermal circuit, called LIFESHIELD™, shall protect the luminaire from excessive

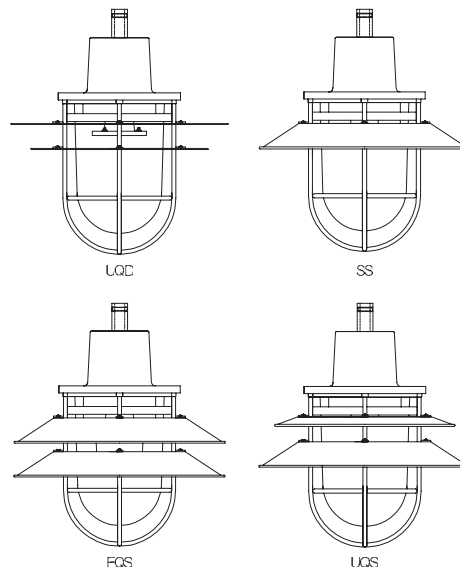
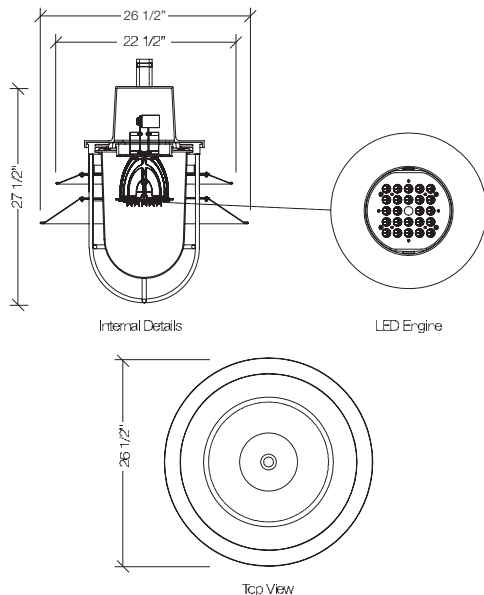
temperature by interfacing with the 0-10V dimmable drivers to reduce drive current as necessary.

ORDERING INFORMATION

PIE31	24NB55	PEC	PM	
MODEL PIE31 Pierwalk 31"	CCT-COLOR TEMP 3K 3000° K 4K 4000° K 5K 5000° K	OPTICS DIR2 Type II DIR3 Type III DIR4 Type IV DIR5 Type V	MOUNTING OPTIONS PM Pendant Mount	COLOR BBT Basic Black Textured BMT Black Matte Textured WHT White Textured MBT Metallic Bronze Textured BZT Bronze Textured GYS Gray Smooth DPS Dark Platinum Smooth GNT Green Textured MST Metallic Silver Textured MTT Metallic Titanium Textured OWI Old World Iron _RAL
LENS OPTIONS PBC Polycarbonate Bullet, Clear PBF Polycarbonate Bullet, Frosted	ENGINE-WATTS 24NB-55 55 Watts	VOLTAGE UNV 120-277V 347 347V 480 480V	ELECTRICAL OPTIONS PEC Photocell, Button	STYLE OPTIONS UQS Unequal Shades EQS Equal Shades SS Single Shade UQD Unequal Discs

¹ Consult factory

DETAILS



Style Options

MAG32

32" Magna

DECORATIVE

FEATURES

- All cast aluminum parts shall be low copper alloy A356. All extruded aluminum parts shall be alloy 6061-T6, 6063-T5 or equal. The upper chamber/lid shall be topped by a decorative cast aluminum finial/cap and connected to the optical chamber by means of a hinge and locking mechanism for quick and easy lamp service for post top version. The lamp source for the pendant mount version is accessible through tool-less thumbscrews at the bottom housing.
- The cast 4-sided cage shall accommodate UV stabilized acrylic or polycarbonate lenses (side panels) which shall be sealed for weather tight operation. The electrical chamber/fitter shall be a cast aluminum, decorative fitter designed to accommodate the led driver and shall mount to a 3" OD x 4" H tenon and be secured by eight stainless steel set screws.
- Each luminaire is supplied with an optical one piece LED Bezel, with LEDs, optics, gaskets and stainless steel face-plate. A thermal circuit, called LIFESHIELD™, shall protect the luminaire from excessive temperature by interfacing with the 0-10V dimmable drivers to reduce drive current as necessary.



ORDERING INFORMATION

MAG32 -

PEC -

MODEL

MAG32 Magna
32"

ENGINE-WATTS

24NB-55 55 Watts
36NB-80 80 Watts

VOLTAGE

UNV 120-277V
347 347V
480 480V

OPTICS

DIR2 Direct, Type II
DIR3 Direct, Type III
DIR4 Direct, Type IV
DIR5 Direct, Type V

MOUNTING OPTIONS

PT Post Top
PM Pendant Mount¹

COLOR

BBT Basic Black Textured
BMT Black Matte Textured
WHT White Textured
MBT Metallic Bronze Textured
BZT Bronze Textured
GYS Gray Smooth
DPS Dark Platinum Smooth
GNT Green Textured
MST Metallic Silver Textured
MTT Metallic Titanium Textured
OWI Old World Iron
_RAL

LENS OPTIONS

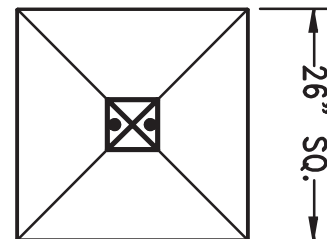
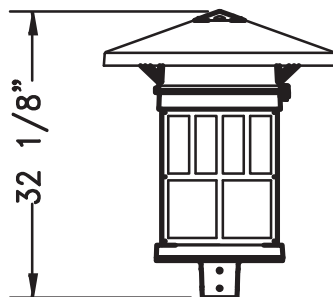
AC Acrylic, Clear
AF Acrylic, Frosted
AS Acrylic, Seeded
AW Acrylic, White
PC Polycarbonate, Clear
PF Polycarbonate, Frosted

ELECTRICAL OPTIONS

PEC Photocell, Button

¹ Consult factory

DETAILS



Style Options



LRK-2V

LRK Tower LED Retrofit Kit

DECORATIVE



FEATURES

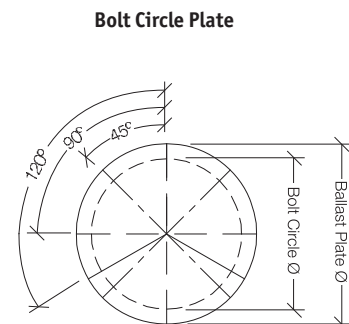
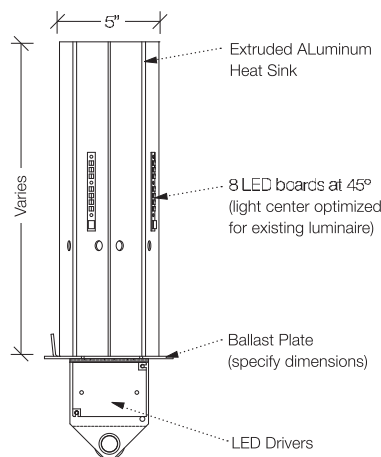
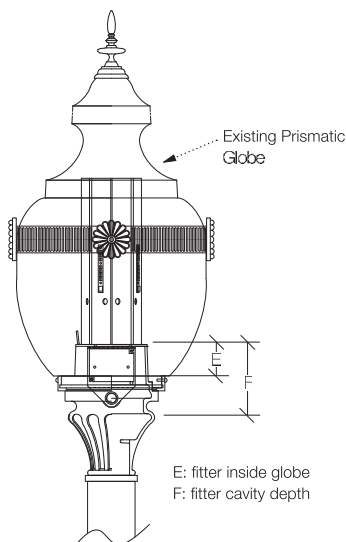
- Designed to accommodate a textured, tinted, or frosted acorn style luminaires. Housing shall be designed to accommodate all electrical and optical components. Access to the optical components shall be made by removing (4) stainless steel fasteners located on the front of the luminaire. Access to the electrical assembly shall be made by removing (4) stainless steel fasteners located on the back of the luminaire housing.
- The luminaires shall be UL listed and suitable for wet locations. The optical chamber shall be designed to meet IP66 standards.

ORDERING INFORMATION

LRK-2V - [] - [] - [] - [] - [] - [] - [] - [] - []

MODEL	CCT-COLOR TEMP	VOLTAGE	MOUNTING PLATE Ø	BOLT LENGTH	BOLT CIRCLE Ø	BOLT SIZE
LRK-2V LRK Tower LED Retrofit Kit	3K 3000° K 4K 4000° K 5K 5000° K (std.)	UNV 120-277V 347 347V 480 480V	SPECIFY	SPECIFY	SPECIFY	SPECIFY
ENGINE-WATTS			NUMBER OF BOLTS	BOLT PATTERN		
35W 35 Watts 55W 55 Watts			2 Two Bolts 3 Three Bolts 4 Four Bolts	45 45° Bolt Pattern 90 90° Bolt Pattern 120 120° Bolt Pattern 180 180° Bolt Pattern		
				OTHER		

DETAILS



the mounting plate facilitates a simplified conversion process of many of the existing globe style luminaires.

LRK-3D

LRK Direct LED Retrofit Kit

FEATURES

- Designed to accommodate a clear or prismatic tempered glass or prismatic plastic lens which are utilized in acorn style luminaires. Die cast aluminum body designed for maximum heat dissipation. All extruded aluminum components shall be alloy 6061-T6, 6063-T5 or equal. The heavy aluminum flood housing shall be designed to accommodate all electrical and optical components. Access to the optical components shall be made by removing (4) stainless steel fasteners located on the front of the luminaire. Access to the electrical assembly shall be made by

removing (4) stainless steel fasteners located on the back of the luminaire housing.

- The luminaires shall be UL listed and suitable for wet locations. The optical chamber shall be designed to meet IP66 standards.



DECORATIVE

ORDERING INFORMATION

LRK-3D - [] - [] - [] - [] - [] - [] - [] - [] - [] - []

MODEL

LRK-3D LRK
Direct LED
Retrofit
Kit

CCT-COLOR TEMP

3K 3000° K
4K 4000° K
5K 5000° K (std.)

VOLTAGE

UNV 120-277V
347 347V
480 480V

NUMBER OF BOLTS

2 Two Bolts
3 Three Bolts
4 Four Bolts

MOUNTING PLATE Ø

SPECIFY

BOLT CIRCLE Ø

SPECIFY

ENGINE-WATTS

12NB-25 25 Watts
24NB-55 55 Watts

OPTICS

DIR2 Type II
DIR3 Type III
DIR4 Type IV
DIR5R Type V, Rectangular
DIR5W Type V, Round Wide

BOLT PATTERN

45 45° Bolt Pattern
90 90° Bolt Pattern
120 120° Bolt Pattern
180 180° Bolt Pattern
OTHER

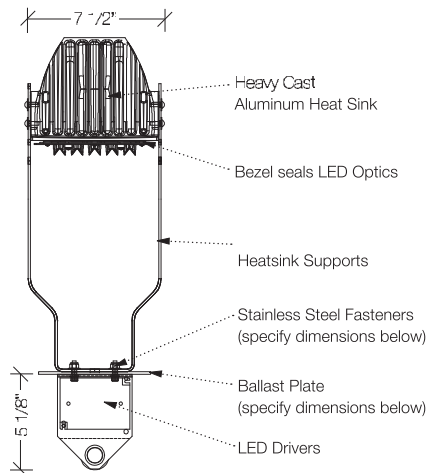
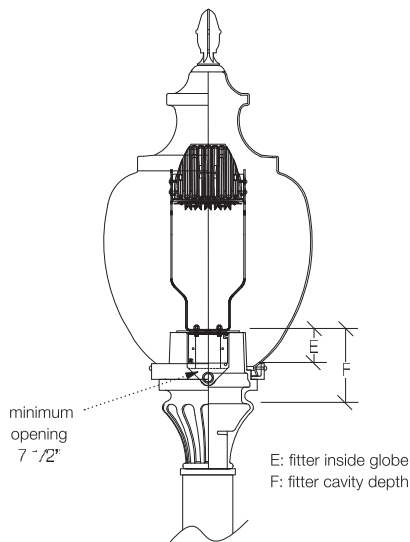
BOLT LENGTH

SPECIFY

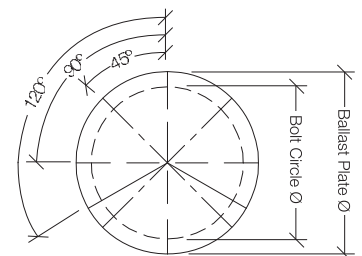
BOLT SIZE

SPECIFY

DETAILS



Bolt Circle Plate



the mounting plate facilitates a simplified conversion process of many of the existing globe style luminaires.

LC5

LC5 Light Column - 5"

BOLLARDS



FEATURES

- Each Beacon LIGHT COLUMN is an extruded aluminum body with a one piece translucent white acrylic outer tube. The top dome is removable cast aluminum and secures the acrylic lens to the aluminum body. The lens shall be 5" diameter, .125" wall translucent white, impact resistant, UV Stabilized, acrylic with a nominal length of 2' or 4'. The lower body shall be 5" diameter, .125" wall 6063-T5 extruded aluminum tube that is welded to a round cast aluminum vandal resistant base. The length of the lower tube will produce a light column with nominal lengths of 6', 8', 10', 12', or 14'.
- Luminaires are equipped with LED driver(s) that accept 120 through 277 VAC, 50 Hz to 60 Hz (UNIV). Power factor is .92 at full load. All electrical components are rated at 50,000 hours at full load and 25°C ambient conditions per MIL-217F Notice 2. Plug disconnects are listed by UL for use at 600 VAC, 15A or higher.

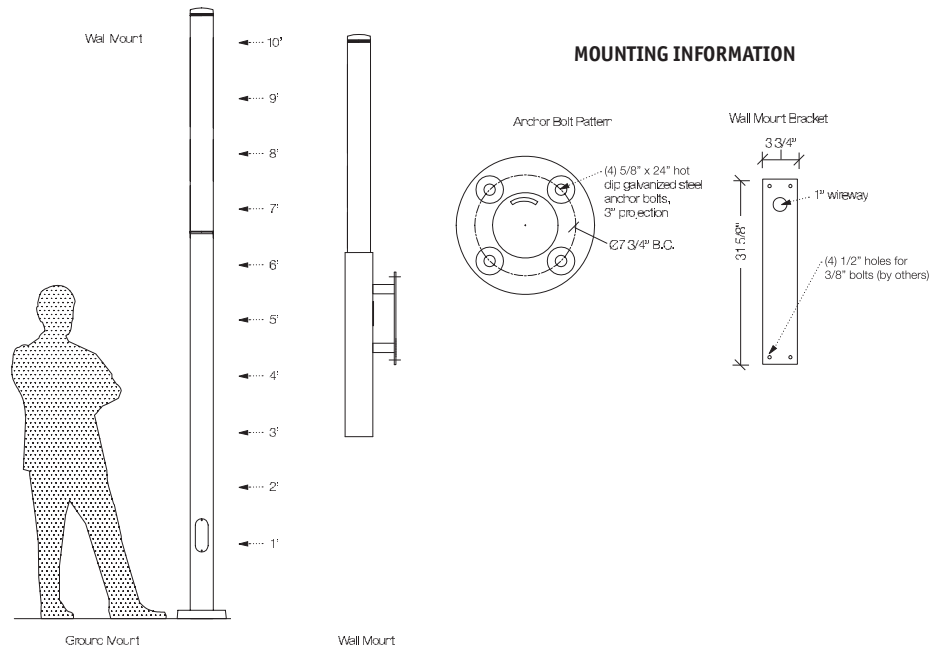
ORDERING INFORMATION

LC5	AW		UNV	PEC	
MODEL LC5 Light Column - 5"	LENS TYPE AW Acrylic, White	CCT-COLOR TEMP 3K 3000° K 4K 4000° K 5K 5000° K	VOLTAGE UNV 120-277V	ELECTRICAL OPTIONS PEC Photocell, Button	COLOR BBT Basic Black Textured BMT Black Matte Textured WHT White Textured MBT Metallic Bronze Textured BZT Bronze Textured GYS Gray Smooth DPS Dark Platinum Smooth GNT Green Textured MST Metallic Silver Textured MTT Metallic Titanium Textured OWI Old World Iron _RAL
HEIGHT 6 6 Feet 8 8 Feet 10 10 Feet 12 12 Feet 14 14 Feet	LENS LENGTH-WATTAGE 24-13W 13 Watts 24-25W 25 Watts 48-25W 25 Watts ¹ 48-50W 50 Watts ¹	MOUNTING AB Anchor Base DBE Direct Burial Extension ² WM Wall Mount			

¹ 48" length requires minimum 8' length for column and 6' for wall mount applications

² Consult factory

DETAILS



FEATURES

- Each Beacon Metro Bollard is a luminaire with an LED heat sink and an LED engine containing 24 high powered indirect LEDs. Die cast louvers are optional. The LED engine is concealed in shaft to eliminate glare. The optics are narrow beams designed to provide glare free indirect lighting.
- A die cast aluminum dome top secures to a one-piece die cast aluminum top assembly with concealed tamper resistant screws.
- Beacon LED Bollards feature The LED module and heat sink shall be removable and upgradable. The drivers shall be mounted on a removable plate and protected by a 10,000 amp transient surge protector.
- Luminaires are equipped with LED drivers that accepts 100V through 277V, 50 Hz to 60 Hz (UNIV), or a driver that accepts 347V or 480V input. Power factor is .92 at full load.
- The luminaire shall bear a CSA label and be marked suitable for wet locations.

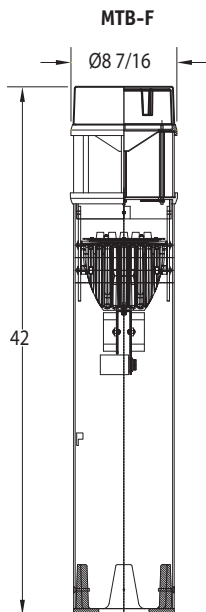
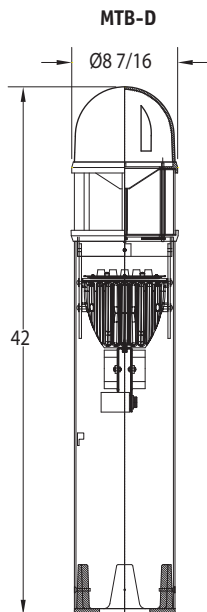


ORDERING INFORMATION

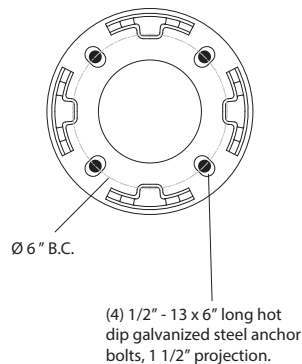
[] - [] - [] - 24NB-55 - [] - [] - [] - []				
MODEL	LENS FINISH	ENGINE-WATTS	VOLTAGE	OPTIONS
MTB-F Flat Top MTB-D Domed Top	AC Acrylic, Clear AF Acrylic, Frosted	24NB-55 55 Watts	UNV 120-277V 347 347V 480 480V ___ Other	HSS-120 Housing Side Shield 120° HSS-180 Housing Side Shield 180° OCS-BI Microwave Motion Sensor ¹
HEIGHT (OVERALL)	CCT-COLOR TEMP	OPTICS	COLOR	
42 42" ___ Custom	5K 5000° K (std.) 4K 4000° K 3K 3000° K	IND5 Indirect Type V (360° standard)	BBT Basic Black Textured BMT Black Matte Textured WHT White Textured MBT Metallic Bronze Textured BZT Bronze Textured GYS Gray Smooth DPS Dark Platinum Smooth GNT Green Textured MST Metallic Silver Textured MTT Metallic Titanium Textured OWI Old World Iron _RAL	

¹ **OCS-BI** motion sensor time delay operates 1/2 LEDs & half power

DETAILS



ANCHOR BOLT DETAIL



BRP42

Bristol Park Bollard



BOLLARDS

FEATURES

- The BRISTOL PARK Bollard is a luminaire with an LED heat sink and an LED engine containing 24 high powered indirect LEDs. The LED engine is concealed in shaft and pointed upwards into an indirect reflector to eliminate glare. The optics are narrow beams designed to provide glare free indirect lighting.
- The Upper Housing is a die cast aluminum dome top secured to a one-piece die cast aluminum top assembly with concealed tamper resistant screws and is available with either a flat top or domed top.
- The Lower Housing is 8" IN DIAMETER and constructed of .125" wall 6063-T5 extruded aluminum which connects to the top of the mounting tenon with internal bolts, inaccessible after installation.
- Lens & Optical System: Beacon LED Bollards feature an LED module and heat sink which shall be removable and upgradeable. The drivers shall be mounted on a removable plate and protected by a 10,000 amp transient surge protector.
- The heat sink shall be 356 cast aluminum and be tested with 24 LEDs at 60 Watts maximum and be provided with 12 degree wide beam Type V lenses. Each LED shall have one optical lens.

ORDERING INFORMATION

BRP42

24NB-55

IND5

AB

MODEL

BRP42 Bristol Park

CCT-COLOR TEMP

3K 3000° K
4K 4000° K
5K 5000° K (std.)

VOLTAGE

UNV 120-277V
347 347V
480 480V

STYLE OPTIONS

CES Chain Eye, Single
CED Chain Eye, Double

COLOR

BBT Basic Black Textured
BMT Black Matte Textured
WHT White Textured
MBT Metallic Bronze Textured
BZT Bronze Textured
GYS Gray Smooth
DPS Dark Platinum Smooth
GNT Green Textured
MST Metallic Silver Textured
MTT Metallic Titanium Textured
OWI Old World Iron
_RAL

LENS OPTIONS FINISH

AC Acrylic, Clear
AF Acrylic, Frosted

ENGINE-WATTS

24NB-55 55 Watts

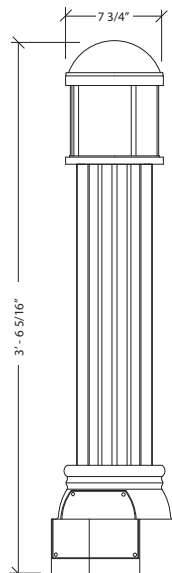
OPTICS

IND5 Indirect Type
 V 360° (std.)

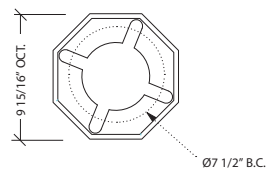
MOUNTING OPTIONS

AB Anchor Base

DETAILS



BOLT PATTERN



LON

Longitude

FEATURES

- Stainless Steel LED handrail
- Designed for modularity, easy to service, the longitude will be the answer for any lighted handrail project. Its vandal resistant, IP65, customized aperture and aiming concepts makes it the most adapted lighted handrail of the market.
- High performance, low maintenance
- Emergency egress lighting solutions
- Eliminates need for steplights + back boxes
- Meets ADA requirements
- Increases security, reduces liability
- Available in 2.8 watts per foot
- Aperture and aiming customizations available
- IP65 rated, resistant to moisture, insects, dust
- Vandal resistant design

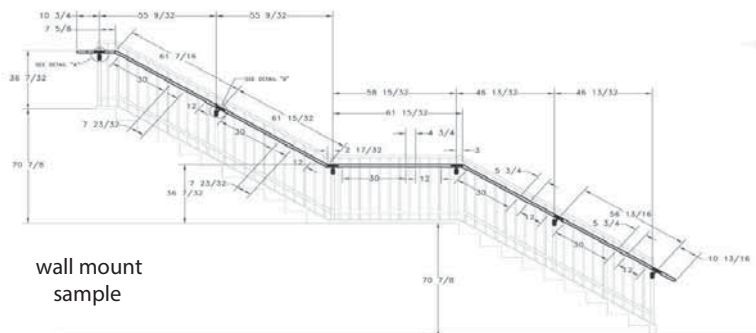


HANDRAIL

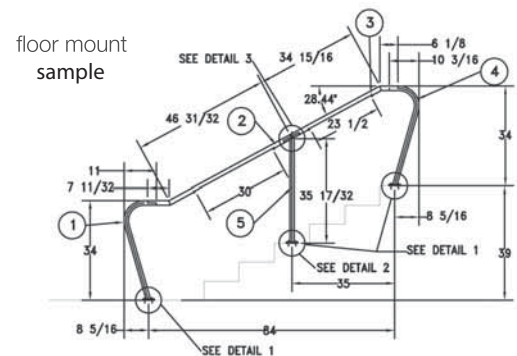
ORDERING INFORMATION

MODEL		VOLTAGE		COLOR TEMP		APERTURE		ORIENTATION	
LON	Longitude	120V	120V	3000K	3000° K	40	40°	STA	Standard
		208V	208V	3500K	3500° K			RT	Right
		240V	240V	4100K	4100° K	90	90° (standard)	LT	Left
		277V	277V	5700K	5700° K	120	120°	_SPECIFY	
						_OTHER			

DETAILS



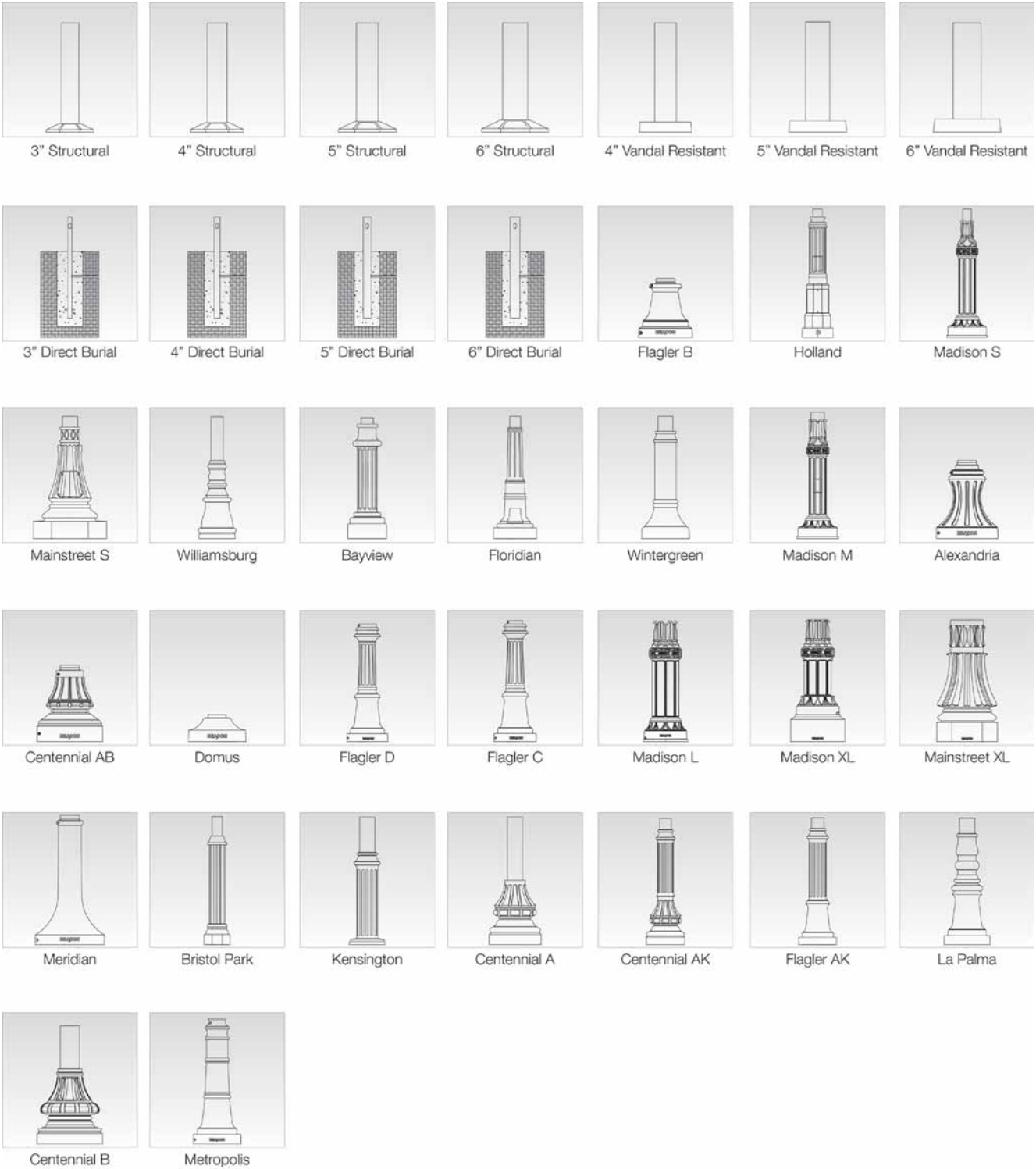
wall mount sample



floor mount sample

POLES

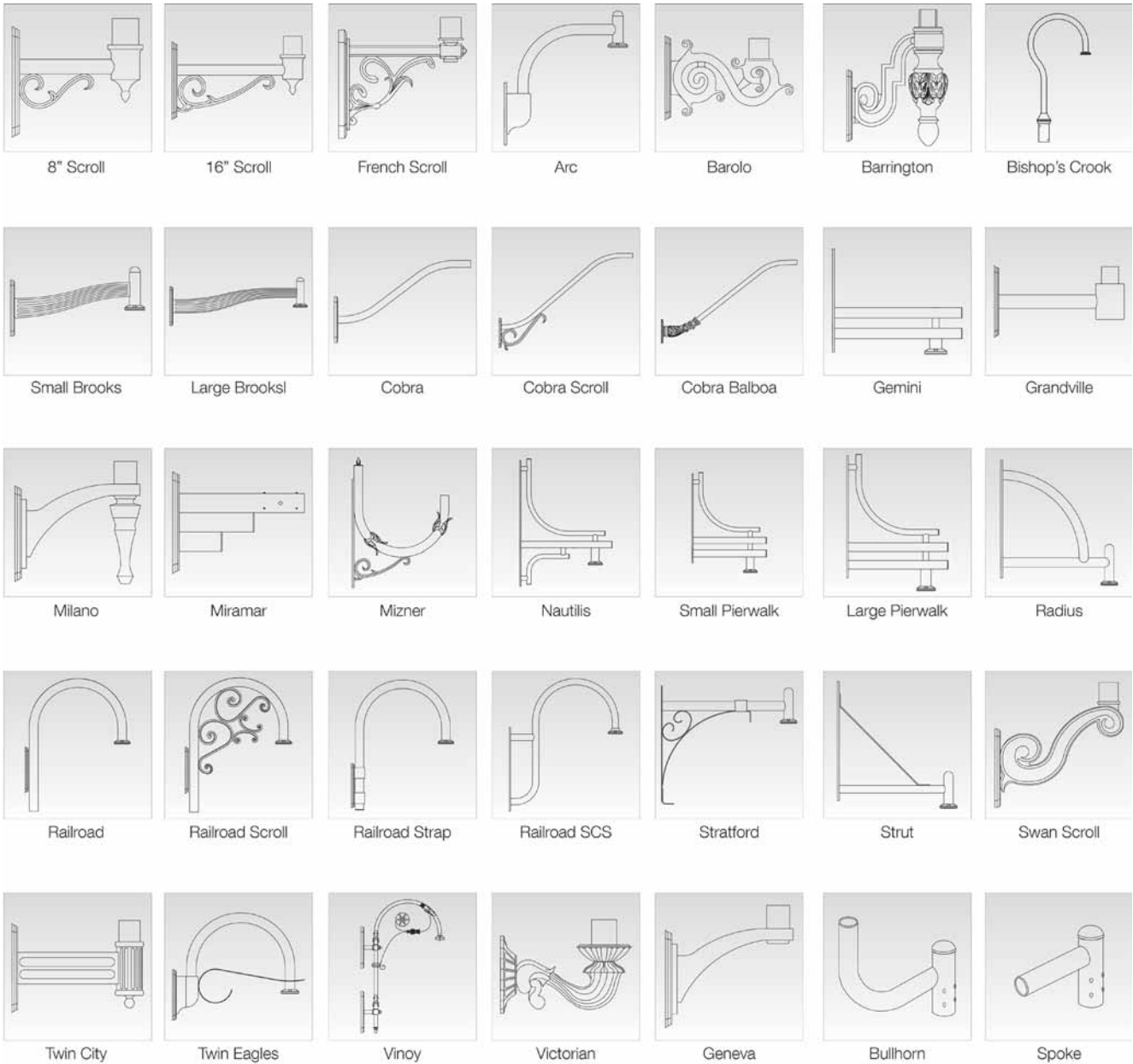
POLES



Complete ordering details are available at www.beaconproducts.com

ARMS

ARMS



Complete ordering details are available at www.beaconproducts.com

DUAL-LITE



Dual-Lite

Serves the architectural, commercial and industrial market place since 1940.

Recognized for innovative designs and quality life safety products. Dual-Lite offers

LED Emergency lighting units, exit signs, battery packs and central lighting inverters.



EV Series

Architectural LED Emergency Light

FEATURES

- Architectural LED based emergency light for wall or ceiling commercial application
- High impact, flame rated and UV stable white thermoplastic housing
- Fully adjustable high output LED lamp-heads
- Environmentally Friendly Nickel Metal Hydride Battery
- Includes top mount conduit entry
- Temperature Range: 20°C to 30°C(68°F to 86°F), damp: 10°C to 40°C(50°F to 104°F)
- UL924 Listed(optional damp location listed)
- US Patents Pending



EMERGENCY LIGHTING

ORDERING INFORMATION

EV

MODEL
EV

CAPACITY

2 (2) 1 W LED heads
4 (4) 1W LED heads¹

RATING

Blank Standard Model
D Damp Location Listing²

SELF DIAGNOSTICS

Blank None
I Spectron[®] Self-diagnostic

OPTIONS

B Black Finish
-24K 220-240VAC 60Hz with Spectron^{®3}

¹ Capacity to run 2 head remote

² EV2 available with or with-out damp listing, all other models include damp

³ -24K option only available with damp plus Spectron[®]

POWER CONSUMPTION

	AC VOLTAGE	HZ.	AMPS.	WATTS	POWER FACTOR
EV2 EV2D	120	60	0.015	1.10	0.61
	240	60	0.009	1.43	0.62
	277	60	0.008	1.45	0.62
EV4D	120	60	0.022	2.00	0.73
	240	60	0.015	2.51	0.65
	277	60	0.014	2.75	0.63

• The EV Series meets proposed California Energy Commission(CEC) requirements for limits on power consumption in maintenance mode with less than 0.5 watts.

ELECTRONICS

- 120/277VAC input with Intelligent 2 wire connection
- AC lockout and Low Voltage disconnect
- Battery re-charge within 24 hours
- Optional Self-Test/Self-Diagnostic circuitry

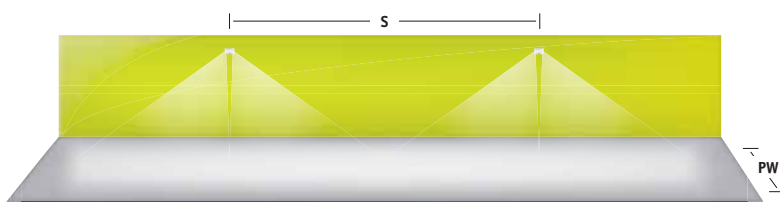
MATCHING INDOOR REMOTE FIXTURES

WHITE SINGLE	BLACK SINGLE
EVR2	EVR2B

ACCESSORIES

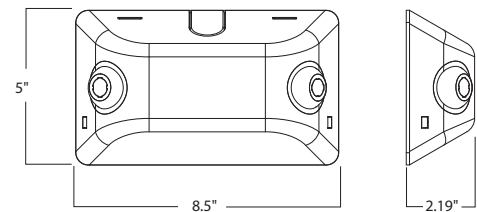
MODEL	DESCRIPTION
VRS3	Vandal resistant shield
WGLZ	Wire Guard

MULTI-UNIT SPACING



1 FC AVERAGE	
PATH WIDTH (PW)	SPACING (S)
3'	27'
6'	20'

1 FC MINIMUM	
PATH WIDTH (PW)	SPACING (S)
3'	14'
6'	10'



Meets Life Safety Code minimum illuminance of 0.1 fc and average illuminance of 1.0 fc. Assumes open space with no obstructions, mounting height of 7.5', ceiling height of 9' and reflectances of 80/50/20. Photometry files available on the Dual-Lite web site (www.dual-lite.com).

EVC Series

Architectural LED Combination EXIT/Emergency Light



FEATURES

- Compact, Architectural LED based combination EXIT/emergency light for wall, ceiling or end mounting
- High impact, flame rated and UV stable thermoplastic housing
- Dual-ratcheting design for full range LED lamp-head positioning
- Bright and even EXIT panel illumination
- Environmentally friendly, long life-cycle Lithium Iron Phosphate battery
- Includes top mount conduit entry
- Temperature Range: 20°C to 30°C (68°F to 86°F), damp: 10°C to 40°C (50°F to 104°F)
- UL924 Listed (optional damp location listed)
- US Patents Pending

ORDERING INFORMATION

MODEL	FACES	LETTER COLOR	FINISH	APPLICATION	SELF DIAGNOSTICS	OPTIONS
EVC	U Universal Face	R Red G Green	W White B Black ⁷	Blank Standard Model D4 2 LED Remote Capacity D Damp Listed ²	Blank None I Spectron® Self-diagnostic ⁶	-O No Lamp-heads ³ -FAP Fire Alarm Panel ^{1,5} -FM Flasher Module ^{1,5} -AF Audible Flasher ^{1,5} -24K 220-240VAC 50,60Hz with Spectron® ⁴

¹Can only be specified with Spectron® Self-Diagnostics and remote capacity

²Damp Location Listed not available with EVCURW and EVCUGW base models, standard with all other models

³No-head option only available on the EVC with remote capacity

⁴-24K option only available with Spectron® Self-Diagnostic and remote capacity

⁵FAP, FM or AF options may not be specified together

⁶Spectron® Self-Diagnostics only available with damp

⁷Black finish only available with damp option

POWER CONSUMPTION

AC VOLTAGE	HZ.	AMPS.	WATTS	POWER FACTOR
120	60	0.021	1.65	0.65
277	60	0.017	2.42	0.52

MATCHING REMOTE FIXTURES

MODEL	DESCRIPTION
EVR2	2 LED indoor remote
EVO	Single or Double head outdoor remote
EVR2B	2 LED Remote with Black Finish
VRS3	Vandal Resistant Shield

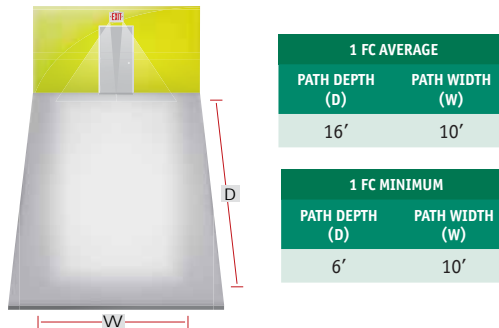
ACCESSORIES

MODEL	DESCRIPTION
VRS3	Vandal resistant shield

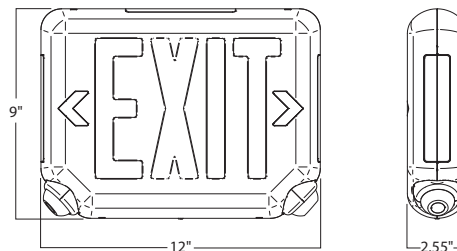
ELECTRONICS

- 120/277VAC input
- AC lockout and Low Voltage disconnect
- Battery re-charge within 24 hours
- Optional Self-Test/Self-Diagnostic circuitry

SINGLE UNIT COVERAGE



Meets Life Safety Code minimum illuminance of 0.1 fc and average illuminance of 1.0 fc. Assumes open space with no obstructions, mounting height of 7.5', ceiling height of 9' and reflectances of 80/50/20. Photometry files available on the Dual-Lite web site (www.dual-lite.com).



Overall height with Canopy is 9.8"

EVE Series

LED Exit Sign

FEATURES

- Compact, Architectural LED based EXIT sign for wall, ceiling or end mounting
- Matching Family Appearance
- Bright and even EXIT panel illumination
- AC only or 90 minute panel illumination in the event of power outage
- Environmentally friendly, long life-cycle Nickel Metal Hydride battery
- UL924 Listed
- Damp Location Standard
- Long-Life LED's



EXIT SIGNS

ORDERING INFORMATION

MODEL	FACES	LETTER COLOR	FINISH	OPERATION	SELF DIAGNOSTICS	OPTIONS
EVE	U Universal Face	R Red G Green	W White B Black ⁷	Blank Standard Model E Emergency	Blank None I Spectron® Self-diagnostic ⁶	-2C 2 circuit operation ^{2,5} -FAP Fire Alarm Panel ^{1,3,5,6} -FM Flasher Module ^{1,6} -AF Audible Flasher ^{1,6} -DC Remote DC Operation ^{2,4,6} -24K 220-240VAC 50,60Hz with Spectron®

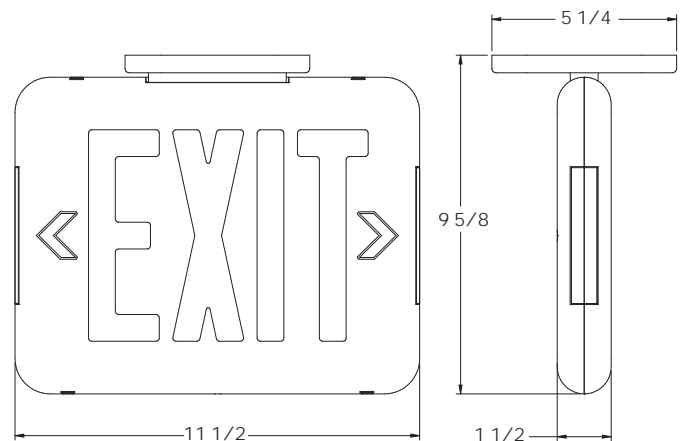
¹ For use with Spectron self-diagnostic models only
² For use with AC models only
³ Operates with 24 volt AC or DC fire alarm panels
⁴ For emergency illumination of sign from remote 6-24 VDC power source
⁵ -DC option may not be specified with -2C or -FAP options
⁶ -AF,-FM and -FAP options may not be specified together
⁷ -AF,-FM and -FAP options may not be specified together

MATCHING FAMILY FIXTURES

MODEL	DESCRIPTION
EV Unit	2 LED Indoor Emergency Light
EVC	Exit Sign/ LED Emergency Light

ACCESSORIES

MODEL	DESCRIPTION
WGLX	Wire Guard (Wall Mount)
WGLXC	Wire Guard (Ceiling Mount)



EVO

Outdoor LED Remote

REMOTE



FEATURES

- Matching LED remote for the Evolution family
- High performance LEDs
- Architectural remote specifically for the Evolution family
- Durable Die-Cast Construction
- Fully gasketed, waterproof construction
- Single or Double Lamp-heads
- Corrosion resistant Black or White finish

ORDERING INFORMATION

EVO		
MODEL	HEADS	OPTIONS
EVO	S Single D Double	B Black W White

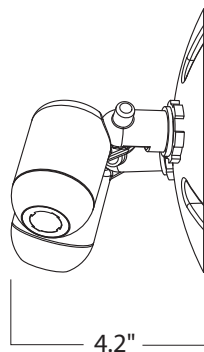
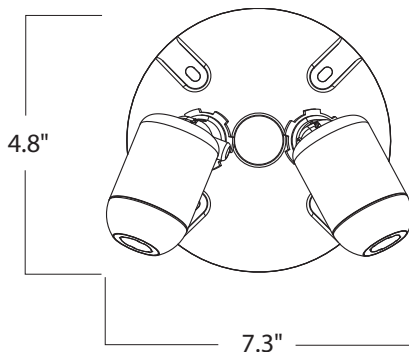
CAUTION: The EVO remote can only accept input power from the EV4D or EV4DI emergency light. The EVO will not work with any other emergency units.

INPUT POWER REQUIREMENTS

- 4.8Vdc at 1 watt per head provided exclusively from an EV4D or EV4DI emergency light with remote capacity

SPECIFIC LED INFORMATION

- Lamp color: Cool white
- Total lamp output: 88 lumens per head
- System Efficacy: 80 Lumens per LED
- Rated LED Lamplife: Greater than 100,000 hrs.



DIMENSIONAL NOTE

Dimensions reflect maximum fixture width and depth.

High Performance LED Sconce

FEATURES

- Normally-on sconce for indoor/outdoor architectural applications
- Compatible with remote DC input for emergency operation on same circuit
- Sturdy, ADA compliant, vandal-resistant, die-cast aluminum construction
- Four long-life, 4000K, high-output LEDs configured in redundant pairs
- Wide area illumination pattern with no heads to aim
- Dark sky compliant with use of supplied full cutoff shield
- Temperature range: -30°C to 50°C (-22°F to 122°F)
- UL 924 Wet location Listed
- U.S. Patent No. D627,916.



EMERGENCY LIGHTING

ORDERING INFORMATION

PGN	<input type="text"/>
MODEL	FINISH
PGN	W White Z Dark Bronze P Platinum Silver B Black

POWER CONSUMPTION

AC		DC	
120 VAC	17 Watts	6 VDC	12 Watts
277 VAC	17 Watts	12 VDC	12.5 Watts

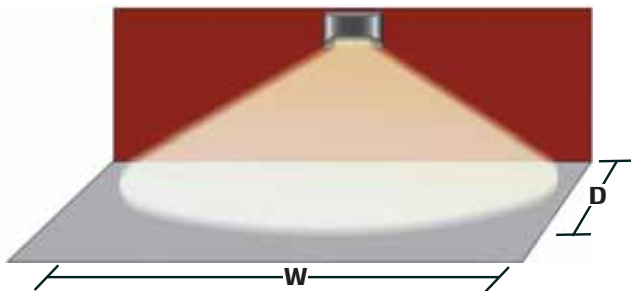
Power factor, average: .80 (lagging)

ELECTRONICS

- 120/277 60 Hz VAC operation
- Compatible with switched circuits
- Transformer isolation, surge, and transient protection
- Short circuit protection

SINGLE UNIT COVERAGE

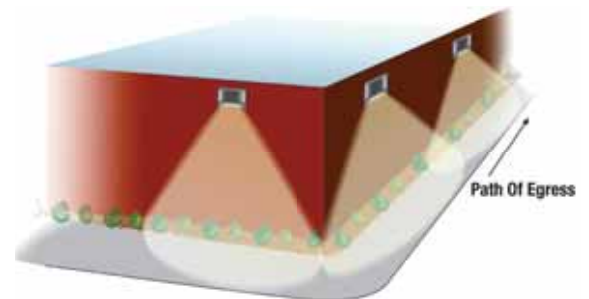
Mounting Height: 9'
 Outdoor Reflectance: 0/30/10
 Indoor Reflectance: 80/50/20



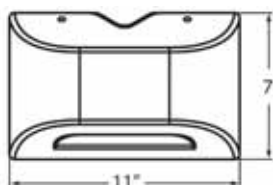
	INDOOR	OUTDOOR
1 FC Average (W x D)	35' X 10'	29' X 10'
1 FC Minimum (W x D)	11' X 10'	10' X 10'

MULTIPLE UNIT SPACING

Mounting Height: 9'
 Illuminated Path Depth: 6'
 Outdoor Reflectance: 0/30/10
 Indoor Reflectance: 80/50/20



	INDOOR	OUTDOOR
1 FC Average	49'	37'
1 FC Minimum	19'	16'



Emergency LED Sconce



FEATURES

- Emergency unit for indoor/outdoor architectural applications
- Sturdy, ADA compliant, vandal-resistant, die-cast aluminum construction
- Four long-life, 6350K, high-output LEDs configured in redundant pairs
- Wide area illumination pattern with no heads to aim
- Maintenance-free nickel-cadmium battery with fully automatic charger
- Temperature range: 0°C to 50°C (32°F to 122°F), w/heater: -30°C to 50°C (-22°F to 122°F)
- UL 924 Wet location Listed
- Patents Pending and U.S. Patent No. D627,916.

ORDERING INFORMATION

PG		-	
MODEL	FINISH		OPTIONS
PG	W White Z Dark Bronze P Platinum Silver B Black		HTR Battery Heater Add suffix to model

ELECTRONICS

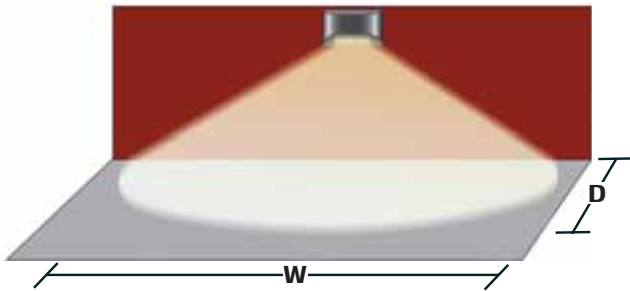
- 120/277 60 Hz VAC operation, test switch and LED AC-On indicator light
- Spectron® self-test/self-diagnostic circuitry
- Transformer isolation, surge, transient and low voltage disconnect protection
- Standard electrical box and conduit entry provisions
- Reverse polarity, short circuit and AC lockout protection

POWER CONSUMPTION

MODEL WITHOUT HEATER		MODELS WITH HEATER	
120VAC	2.78 Watts	120VAC	15.2 Watts
277VAC	2.88 Watts	277 VAC	15.7 Watts
Power factor, average: .60 (lagging)		Power factor, average: .97 (lagging)	

SINGLE UNIT COVERAGE

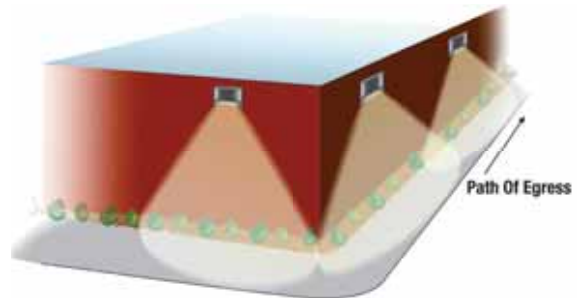
Mounting Height: 9'
 Outdoor Reflectance: 0/30/10
 Indoor Reflectance: 80/50/20



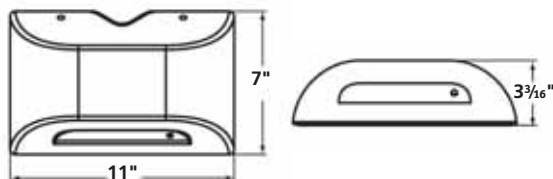
	INDOOR	OUTDOOR
1 FC Average (W x D)	33' X 10'	27' X 10'
1 FC Minimum (W x D)	10' X 10'	9' X 10'

MULTIPLE UNIT SPACING

Mounting Height: 9'
 Illuminated Path Depth: 6'
 Outdoor Reflectance: 0/30/10
 Indoor Reflectance: 80/50/20



	INDOOR	OUTDOOR
1 FC Average	44'	33'
1 FC Minimum	16'	15'



Recessed Mounting Edge-Lit LED Exit Sign

FEATURES

- Edgelit exit sign for recessed mounted architectural and commercial applications
- Clear, injection molded, dual plaque acrylic with clear, white or mirror backgrounds
- High strength, extruded aluminum housing in multiple finishes
- Energy saving, long-life LED lamps exceeds brightness and uniformity requirements
- Custom printed, silk screened chevron arrows; 6" letters with 3/4" stroke
- End/ceiling/wall mount and included die-cast aluminum canopy
- Maintenance-free nickel-cadmium battery with fully automatic charger
- Temperature range: 20°C to 30°C (68°F to 86°F)
- UL 924 Listed
- Special Worded signs certified to UL48-Electric Signs



EXIT SIGNS

ORDERING INFORMATION

LE								
MODEL	MOUNTING	FACES	LETTER COLOR	DIRECTIONAL ARROWS	TRIM/HOUSING FINISH	OPERATION	SELF-DIAGNOSTIC	OPTIONS
LE	C Ceiling mount W Wall mount E End mount	S Single D Double* <small>*Not for use with wall mounted models.</small>	R Red G Green	X No arrows EXIT R Right arrow* EXIT> L Left arrow* <EXIT D Double arrows <EXIT> C L/R arrows** <EXIT/EXIT> <small>*Not for use with double face models. Use "C" L/R arrow designator ** Double face models only. Provides reversible right or left arrow indicator</small>	N Satin Aluminum W White C Chrome B Black S Satin brass Z Dark Bronze	A AC only E Emergency	Blank None I Spectron self-testing/self-diagnostic electronics* <small>*For use with emergency models only.</small>	See "Options" section

OPTIONS

MODEL	DESCRIPTION
SW	Special Wording ¹²
2C	2-circuit operation ^{2,5}
FAP	Fire alarm panel interface ^{3,5,6}
FM	Flasher module ^{1,6}
AF	Audible/Flasher module ^{1,6}
DC	Remote DC Operation ^{2,4,5}
24K	220-240VAC, 60 Hz. operation ⁹
XK	Recessed mount exit sign less rough-in kit ^{7,9}
W	White plaque background
M	Mirror plaque background ⁸
8L	8 inch letter plaque (red letters only) ^{10,11}

¹ For use with emergency models only.
² For use with AC models only.
³ Operates with 24-volt AC or DC fire alarm panels.
⁴ For emergency illumination of sign from remote 6-24 VDC power sources.
⁵ -DC option may not be specified with -2C or -FAP options.
⁶ -AF, -FM and -FAP options may not be specified together.
⁷ Allows ordering of rough-in kit separately for recessed mount (LE) models. See "Accessories".
⁸ For use with single face models only. Standard on double face models.
⁹ Rough-in kit may not be ordered separately on models specified with -24K option.
¹⁰ LE exit models with 8" plaques registered under NYC-BEC Calendar Number 42135 for use in New York City.
¹¹ Single face LE exit signs specified with the -8L option are supplied without backgrounds. Double face models specified with the -8L option are supplied with mirror backgrounds.
¹² Enter Special Wording choice from page 963: example: SW41. Special wording option not available with 8" letter plaque. Some special wording signs not available with directional arrows.

ACCESSORIES

MODEL	DESCRIPTION
URK	Universal rough-in kit
URK2C	Universal 2-circuit rough-in kit ^{a,b,c}

^a For use with AC models only.
^b Rough-in kit may not be ordered separately on models specified with -24K option.
^c Must be ordered in conjunction with -2C option on exit sign.

To Order Rough-In Kit Separately

To order rough-in kit only for early installation, add "-XK" option suffix to exit model number and order "URK" or "URK2C" kit separately.

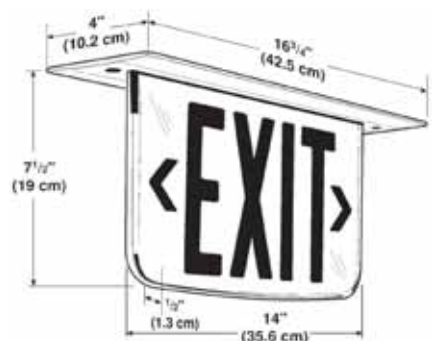
ELECTRONICS

- Transformer isolation, surge, transient, and low voltage disconnect protection
- 90 minute emergency operation
- Reverse polarity, short circuit and AC-lockout protection
- 120/277VAC 60Hz operation, test switch and LED AC-On indicator light

POWER CONSUMPTION

	SINGLE FACE	DOUBLE FACE
Red AC Only Models	2.2W	3.7W
Green AC Only Models	2.5W	4.4W
Red Emergency Models	3.3W	4.7W
Green Emergency Models	3.6W	5.2W

Wattage figures include LED lamps, transformers and electronics power requirements.
 Power factor, average: .80 (lagging)



UFO-LED

LED Battery Pack



FEATURES

- Battery pack with 120/277 VAC 60Hz inverter output to power driver for a LED luminaire
- Sealed nickel-cadmium battery; powers driver/LED at full lumen output for 90 minutes
- Can be used with switched or unswitched luminaires
- Installation may be within, or remote from the luminaire; indoor installation for indoor or outdoor luminaires
- 120/277 VAC 60 Hz input operation, remote test switch with AC-On indicator light
- Temperature range: 0°C to 45°C (32°F to 122°F); 20VA/W only for 45°-50°C (113°-122°F)
- UL 924 Damp Location Listed

ORDERING INFORMATION

UFO-LED

25

MODEL
UFO-LED

OUTPUT VA/W
25

ACCESSORIES

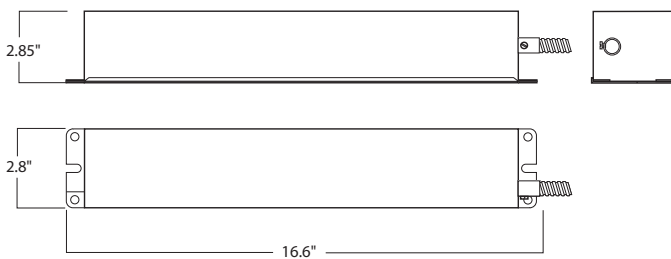
MODEL	DESCRIPTION
SPRTS	Remote test switch /charge indicator module ¹

¹Fits single-gang box

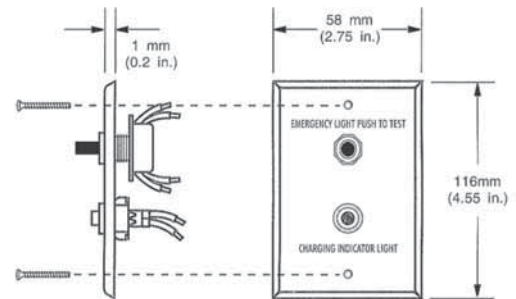
SPECIFICATIONS

CATALOG NUMBER	INPUT WATTAGE	MAX. LOAD VA/W (UNITY PF)	LAMP TYPE
UFO-LED25	9.5	25	LED

UFO-LED25



SPRTS (included remote test switch with charging indicator)



Single-Phase Central Lighting Inverter 100 - 250 VA/W

FEATURES

- AC output provides full lumen output for emergency lighting loads in commercial or industrial applications
- Compatible with incandescent, LED, compact and linear fluorescent lamps
- White painted steel enclosure
- Offline operation for greater efficiency
- Maintenance-free lead-calcium batteries
- Temperature range: 20°C to 30°C (68°F to 86°F)
- UL 924 Listed



LG2S

INVERTERS

ORDERING INFORMATION



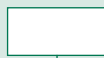
MODEL

LG



CAPACITY

- 1 100 VA/W
- 2 250 VA/W²



MOUNTING

- S Surface Wall Mounting
- T Recessed Ceiling Mounting¹
- R Recessed Wall Mounting¹



SELF DIAGNOSTICS

- Blank None
- I Spectron Self-test/Self-diagnostic Electronics³

¹Only available on 100 VA/W models

²Housing (LG2SLB) and batteries (0120935) ship in separate cartons

³Only available on 250 VA/W models



LG1T



LG1S

LG1R



ELECTRONICS

- Interruptible design; automatically transfers in 2 seconds or less
- Load can be up to 1,000 feet away
- Temperature compensated battery charger
- Operates with normally-on, normally-off and switched loads
- LVD, AC lockout, short circuit, current limiting, overload and brownout protection
- LED status indicator and push button test switch

ACCESSORIES

MODEL	DESCRIPTION
WGTW	Wire Guard for LG1S
RTSLG	Remote Test Switch for LG2S

SPECIFICATIONS

BASE CATALOG NUMBER	FORM AND FIT	WEIGHT (LB) WITH BATTERIES	POWER RATING (VA/W)	POWER FACTOR	MAXIMUM INPUT CURRENT (A)	SYSTEM DC VOLTAGE	RECHARGE TIME (HR)
LG1S	Wall Mount Surface	43	100	0.8 lead to 0.75 lag	120 VAC: 1.02 A 277 VAC: 0.47 A	12	48
LG1R	Wall Mount Recessed	41	100	0.8 lead to 0.75 lag	120 VAC: 1.02 A 277 VAC: 0.47 A	12	48
LG1T	Ceiling Mount Recessed T-grid	45	100	0.8 lead to 0.75 lag	120 VAC: 1.02 A 277 VAC: 0.47 A	12	48
LG2S	Wall Mount Surface	78	250	0.8 lead to 0.7 lag	120 VAC: 2.5 A 277 VAC: 1.1 A	24	72



Compass

Offers products such as emergency lighting units and exit signs for the commercial and institutional market place. Compass provides value engineered product without sacrificing performance.

Wet Location LED Emergency Light

FEATURES

- LED life-cycle of more than 10 years
- Quick installation
- Dual-voltage 120 or 277V AC input
- Includes long-life 9.6VDC Nickel Cadmium battery for UL recognized 90 minute operation
- Remote capacity or extended runtime standard
- Wet Location Listed(0°C to 50°C)
- Fully adjustable lamp-heads
- Provided with water-proof test switch and AC-On indicator



EMERGENCY

ORDERING INFORMATION

CATALOG NUMBER	DESCRIPTION
CU2WG	Dual-Head Fully Adjustable, Grey Finish, Wet Location listed, Remote Capacity, 120/277 Input, 1.875 watts
CU2WB	Dual-Head Fully Adjustable, Black Finish, Wet Location listed, Remote Capacity, 120/277 Input, 1.875 watts

Note: Unit will only power 1 each Compass CWRD or 2 each CWRS remotes

MATCHING REMOTE FIXTURES

MODEL	DESCRIPTION
CWRS	LED Outdoor Remote, Single
CWRD	LED Outdoor Remote, Double

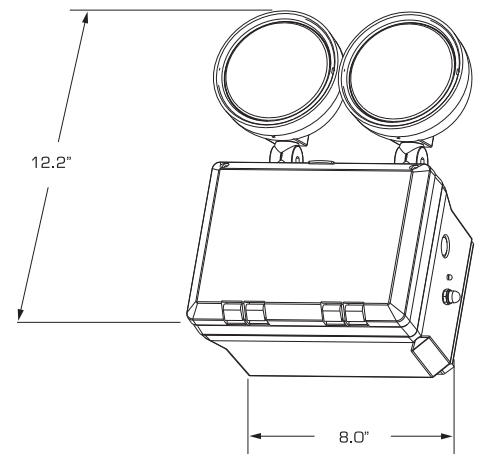
ACCESSORIES

MODEL	DESCRIPTION
WGEL	Wireguard- 8" H X 20" W X 8" D

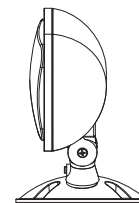
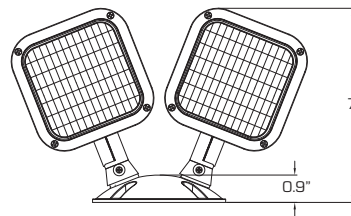
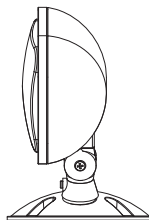
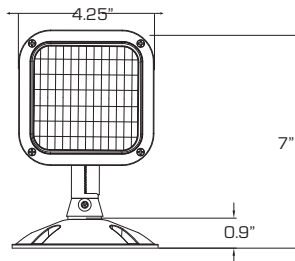
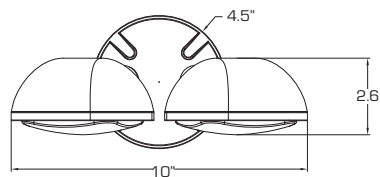
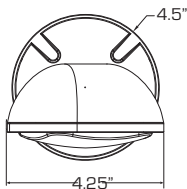
ELECTRONICS

- 90 minute emergency operation with 1 double or 2 single remotes
- Test switch and LED AC-on indicator light

CWRS



Single Carton Weight: 7.5 lbs.
Master Carton Quantity: 4 each



CU2

LED Emergency Light

EMERGENCY



FEATURES

- LED life-cycle of more than 10 years
- Quick installation
- Dual-voltage 120 or 277V AC input
- Includes long-life Nickel Cadmium battery for UL recognized 90 minute emergency lighting
- Remote capacity or extended runtime option
- Damp Location Listed
- Fully adjustable lamp-heads
- Provided with test switch and AC-On indicator

ORDERING INFORMATION

CATALOG NUMBER	DESCRIPTION
----------------	-------------

CU2	Dual LED Head Emergency Light , 120/277 Input , Damp Location Listed, 3 VDC, 1 Watt
CU2RC	Dual LED Head Emergency Light, 120/277 Input, Damp Location Listed, Remote Capacity, 3 VDC, 1 Watt

Note: Remote Capacity Unit will only power the Compass Indoor and Outdoor Remote(CIR and COR Series)

MATCHING REMOTE FIXTURES

MODEL	DESCRIPTION
-------	-------------

CIR	LED Indoor Remote Heads
COR	LED Outdoor Remote Heads

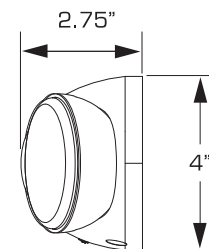
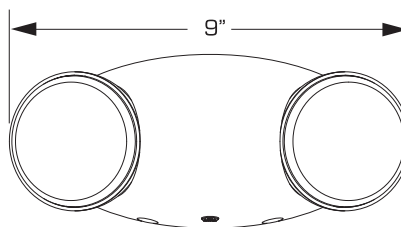
ACCESSORIES

MODEL	DESCRIPTION
-------	-------------

WGLZ	Wireguard- 6.25" H X 14" W X 4" D
------	-----------------------------------

ELECTRONICS

- 90 minute emergency operation
- Test switch and LED AC-on indicator light



Single Carton Weight: 1 lbs.
Master Carton Quantity: 12 each



LED Outdoor Remote

FEATURES

- Single or Double lamp-head remote with base
- LED life-cycle of more than 10 years
- Quick installation
- Fully adjustable lamp-heads
- Fully gasketed for application in wet environment



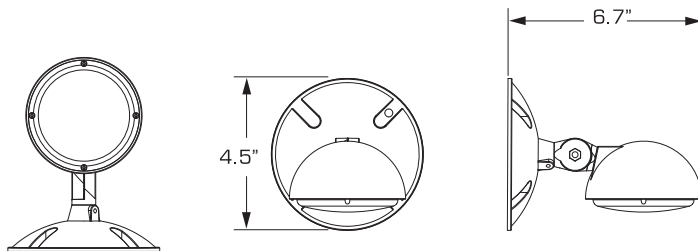
REMOTE

ORDERING INFORMATION

CATALOG NUMBER	DESCRIPTION
CORS	LED Outdoor Remote, Single, Mounting Base, 3 VDC, 1 Watt
CORD	LED Outdoor Remote, Double, Mounting Base, 3 VDC, 1 Watt

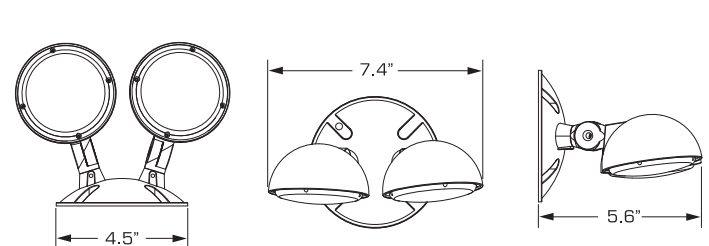
Note: Powered by Compass Exit, Combo or Emergency Light with Remote Capacity

CORS



Single Remote Carton Weight: 1 lbs.
Master Carton Quantity: 20 each

CORD



Double Remote Carton Weight: 1.2 lbs.
Master Carton Quantity: 20 each

CIR

LED Indoor Remote

REMOTE



FEATURES

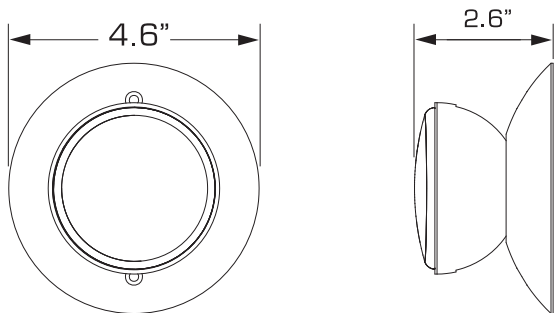
- Single or Double lamp-head remote with base-plate
- LED life-cycle of more than 10 years
- Quick installation
- Dual-voltage 120 or 277V AC input
- Damp Location Listed
- Fully adjustable lamp-heads

ORDERING INFORMATION

CATALOG NUMBER	DESCRIPTION
CIRS	LED Remote, Single, Mounting Base, 3 VDC, 1 Watt
CIRD	LED Remote, Double Mounting Base, 3 VDC, 1 Watt

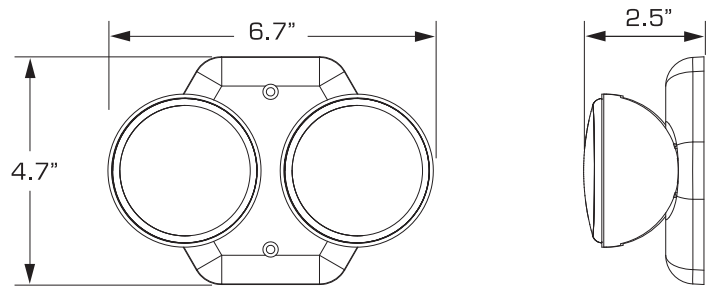
Note: Powered by the Compass Exit, Combo or Emergency Light with Remote Capacity

CIRS



Single Remote Carton Weight: 1 lbs.
Master Carton Quantity: 20 each

CIRD



Double Remote Carton Weight: 1.2 lbs.
Master Carton Quantity: 20 each

Edge-Lit LED Emergency Exit

FEATURES

- Superior panel illumination with Red or Green letters
- LED life-cycle of more than 10 years
- Dual-voltage 120 or 277V AC input
- Includes long-life Nickel Cadmium battery for UL recognized 90 minute emergency lighting
- Field installed directional arrow indicators with template
- Mirror divider on single and double-face models
- Provided with test switch and AC-On indicator
- Canopy included for surface mount model



ORDERING INFORMATION

CATALOG NUMBER	DESCRIPTION				
CELS1RNE	Surface Mount	Single Face	Red Letters	Brushed Aluminum	Battery
CELS1GNE	Surface Mount	Single Face	Green Letters	Brushed Aluminum	Battery
CELS2RNE	Surface Mount	Double Face	Red Letters	Brushed Aluminum	Battery
CELS2GNE	Surface Mount	Double Face	Green Letters	Brushed Aluminum	Battery
CELR1RNE	Recessed Mount	Single Face	Red Letters	Brushed Aluminum	Battery
CELR1GNE	Recessed Mount	Single Face	Green Letters	Brushed Aluminum	Battery
CELR2RNE	Recessed Mount	Double Face	Red Letters	Brushed Aluminum	Battery
CELR2GNE	Recessed Mount	Double Face	Green Letters	Brushed Aluminum	Battery

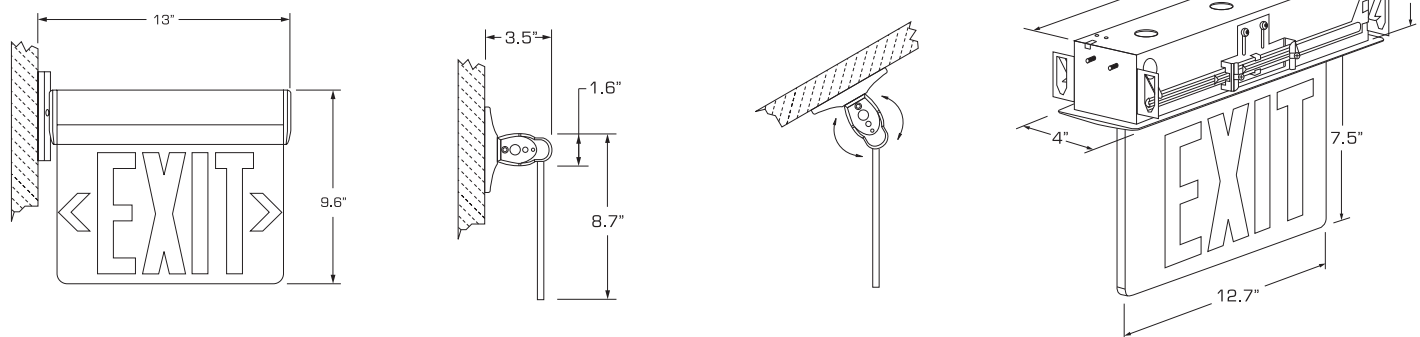
ELECTRONICS

- 90 minute emergency operation with 1 double or 2 single remotes
- Test switch and LED AC-on indicator light

ADDITIONAL MOUNTING OPTIONS



DIMENSIONS



Wet Location LED Emergency Exit



FEATURES

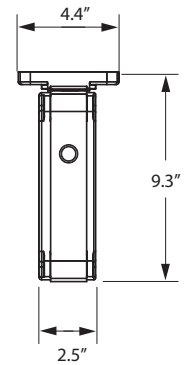
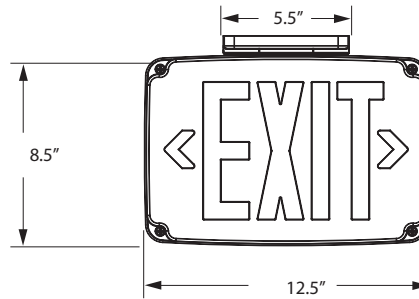
- LED life-cycle of more than 10 years
- Dual-voltage 120 or 277V AC input
- Emergency models include long-life 4.8VDC Nickel Cadmium battery for UL recognized 90 minute operation
- Wet Location Listed(-20°C to 50°C)
- Provided with test switch and AC-On indicator
- Canopy Included
- 24hr. Re-charge

ORDERING INFORMATION

CATALOG NUMBER	DESCRIPTION
CEWSRE	Wet Location, Single-Face, Red Letters, Emergency
CEWDRE	Wet Location, Double-Face, Red Letters, Emergency
CEWSGE	Wet Location, Single-Face, Green Letters, Emergency
CEWDGE	Wet Location, Double-Face, Green Letters, Emergency

ELECTRONICS

- 90 minute emergency operation
- Test switch and LED AC-on indicator light



Single Carton Weight: 4.3 lbs.
Master Carton Quantity: 6 each

Thin Die-Cast LED Emergency Exit

FEATURES

- LED life-cycle of more than 10 years
- Molded-in template for Quick installation
- Dual-voltage 120 or 277V AC input
- Emergency models include long-life 2.4VDC Nickel Cadmium battery for UL recognized 90 minute operation
- Damp Location Listed(0° to 50°C)
- Provided with test switch and AC-On indicator
- Canopy Included
- 24hr. Re-charge

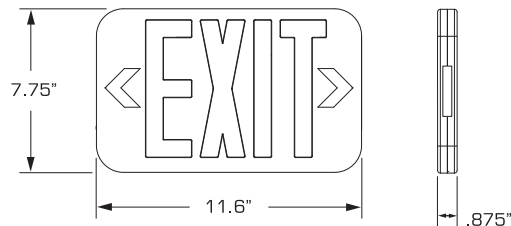


ORDERING INFORMATION

CATALOG NUMBER	DESCRIPTION
CCESRE	Brushed Face, Black Housing, Single-Face, Red Letters, Emergency
CCEDRE	Brushed Face, Black Housing, Double-Face, Red Letters, Emergency
CCESGE	Brushed Face, Black Housing, Single-Face, Green Letters, Emergency
CCEDGE	Brushed Face, Black Housing, Double-Face, Green Letters, Emergency
CCESR	Brushed Face, Black Housing, Single-Face, Red Letters, AC
CCEDR	Brushed Face, Black Housing, Double-Face, Red Letters, AC
CCESG	Brushed Face, Black Housing, Single-Face, Green Letters, AC
CCEDG	Brushed Face, Black Housing, Double-Face, Green Letters, AC

ELECTRONICS

- 90 minute emergency operation
- AC or Emergency operation
- Test switch and LED AC-on indicator light



Single Carton Weight: 2.8 lbs.
Master Carton Quantity: 8 each

LED Emergency Exit



FEATURES

- LED life-cycle of more than 10 years
- Molded-in template for Quick installation
- Dual-voltage 120 or 277V AC input
- Includes long-life Nickel Cadmium battery for UL recognized 90 minute emergency lighting
- Remote capacity or extended runtime option
- Damp Location Listed
- Provided with test switch and AC-On indicator
- Canopy included

ORDERING INFORMATION

CATALOG NUMBER	DESCRIPTION
CER	Universal Face, Red LED Emergency Exit, NiCad Battery, Damp Listed
CEG	Universal Face, Green LED Emergency Exit, NiCad Battery, Damp Listed
CERRC	Universal Face, Red LED Emergency Exit, NiCad Battery, Damp Listed, Remote Capacity
CEGRC	Universal Face, Green LED Emergency Exit, NiCad Battery, Damp Listed, Remote Capacity

Note: Remote Capacity Unit will only power the Compass Indoor and Outdoor Remote (CIR and COR Series)

MATCHING REMOTE FIXTURES

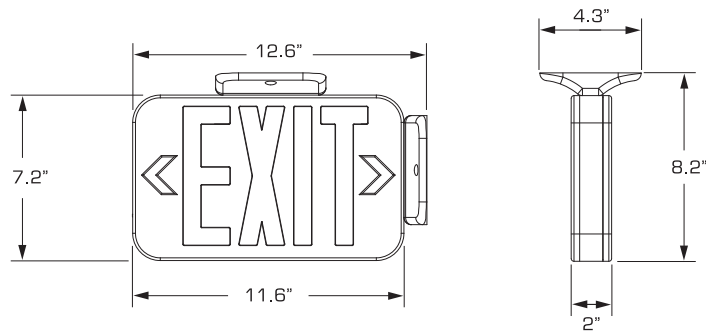
MODEL	DESCRIPTION
CIR	LED Indoor Remote Heads
COR	LED Outdoor Remote Heads

ACCESSORIES

MODEL	DESCRIPTION
WGLX	Wall Mount Wireguard- 10" H X 14" W X 2.25" D

ELECTRONICS

- 90 minute emergency operation with 1 double or 2 single remotes
- Test switch and LED AC-on indicator light



Single Carton Weight: 2 lbs.
Master Carton Quantity: 6 each



Combination LED Exit/Light

FEATURES

- LED life-cycle of more than 10 years
- Molded-in template for Quick installation
- Dual-voltage 120 or 277V AC input
- Includes long-life Nickel Cadmium battery for UL recognized 90 minute emergency lighting
- Remote capacity or extended runtime option
- Damp Location Listed
- Provided with test switch and AC-On indicator
- Lamp-heads are fully adjustable



ORDERING INFORMATION

CATALOG NUMBER	DESCRIPTION
CCR	Combination Exit/Emergency Light, Universal Face, Red Letters, NiCad battery, Damp listed
CCG	Combination Exit/Emergency Light, Universal Face, Green Letters, NiCad battery, Damp Listed
CCRRC	Combination Exit/Emergency Light, Universal Face, Red Letters, NiCad battery, Remote Capacity, Damp Listed
CCGRC	Combination Exit/Emergency Light, Universal Face, Green Letters, NiCad battery, Remote Capacity, Damp Listed

Note: Remote Capacity Unit will only power the Compass Indoor and Outdoor Remote (CIR and COR Series)

MATCHING REMOTE FIXTURES

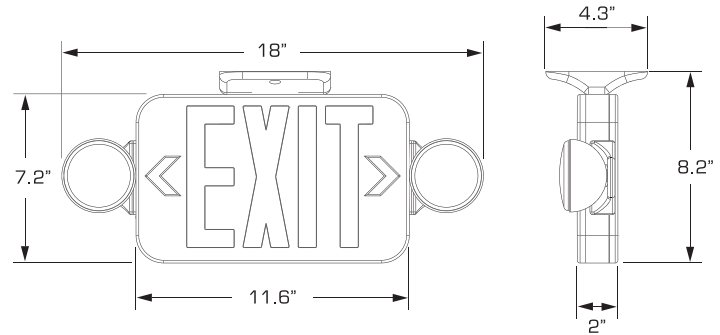
MODEL	DESCRIPTION
CIR	LED Indoor Remote Heads
COR	LED Outdoor Remote Heads

ACCESSORIES

MODEL	DESCRIPTION
WGEL	Wall Mount Wireguard- 8" H X 20" W X 8" D

ELECTRONICS

- 90 minute emergency operation with 1 double or 2 single remotes
- Test switch and LED AC-on indicator light



Single Carton Weight: 2.5 lbs.
Master Carton Quantity: 6 each



Glossary

Sources of term definitions: *The National Lighting Product Information Program (NLPIP) at Rensselaer Polytechnic Institute's Lighting Research Center (LRC).*

ANSI code

American National Standards Institute (ANSI) code that indicates the electrical operating designation of the lamp, which must match that of the ballast.

aperture

The diameter in the opening of a downlight, in inches (in.). Sometimes manufacturers will round up to the next whole-inch increment.

average rated life

The number of hours at which half of a large group of product samples fail under standard test conditions. Rated life is a median value; any lamp or group of lamps may vary from the published rated life.

beam angle

The angle at which luminous intensity is 50 percent of the maximum intensity.

beam appearance

The description of the beam's image on a wall as determined by subjective visual evaluations of each lamp. The descriptive categories used are smooth, cloud, two-contour, ripple, and variegated.

beam spread

The width of a light beam, expressed in degrees. The beam of light from a reflector-type lamp (PAR, R, ER, or MR) can be thought of as a cone. The beam spread is the angular width of the cone. Common beam spreads are known as spot, narrow, narrow flood, and flood.

bi-level switching

Control of light source intensity at two discrete levels in addition to off.

bin

To sort or classify light sources (such as light emitting diodes) into groups according to their luminous intensity or color appearance.

blackbody radiator

A temperature radiator of uniform temperature whose radiant output in all parts of the spectrum is the maximum obtainable from any temperature radiator at the same temperature. Such a radiator is called a blackbody because it absorbs all the radiant energy that falls upon it. All other temperature radiators can be classed as non-blackbodies. Non-blackbodies radiate less in some or all wavelength intervals than a blackbody of the same size and the same temperature.

Brewster's angle

The incident angle of light on the surface of a medium for which the reflected and transmitted light are perpendicular to each other. This angle depends on the refractive index of the medium. It defines the angle of maximum polarization for a medium.

candela

The Systeme International d'Unities (SI) of luminous intensity. One candela is one lumen per steradian. Formerly, candle.

capacitor

A device used in electric circuitry to temporarily store electrical charge in the form of an electrostatic field. In lighting, a capacitor is used to smooth out alternating current from the power supply.

center beam candlepower (CBCP)

Center beam candlepower is the luminous intensity at the center of a beam, expressed in candelas (cd).

chromaticity

The dominant or complementary wavelength and purity aspects of the color taken together, or of the aspects specified by the chromaticity coordinates of the color taken together. It describes the properties of light related to hue and saturation, but not luminance (brightness).

coefficient of utilization (CU)

Coefficient of utilization is the ratio of the luminous flux (lumens) received on a plane to the light output (lumens) of the lamps. Coefficient of utilization depends on luminaire efficiency, distribution of light from the luminaire, size and shape of the room, and reflectances of surfaces in the room. Specifiers use the coefficient of utilization to evaluate how effectively a luminaire delivers light to a workplane.

color appearance

The resultant color perception that includes the effects of spectrum, background contrast, chromatic adaptation, color constancy, brightness, size and saturation.

color consistency

The measure of how close in color appearance random samples of a lamp or source tend to be.

color matching

The action of making a color appear the same as a given color. Often used as a method of evaluating the ability of a light source to render colors faithfully.

color rendering index (CRI)

A rating index commonly used to represent how well a light source renders the colors of objects that it illuminates. For a CRI value of 100, the maximum value, the colors of objects can be expected to be seen as they would appear under an incandescent or daylight spectrum of the same correlated color temperature (CCT). Sources with CRI values less than 50 are generally regarded as rendering colors poorly, that is, colors may appear unnatural.

color shift

The change in a lamp's correlated color temperature (CCT) at 40% of the lamp's rated life, in kelvin (K).

color stability

The ability of a lamp or light source to maintain its color rendering and color appearance properties over its life. The color properties of some discharge light sources may tend to shift over the life of the lamp.

conduction

The process of removing heat from an object via physical contact with other objects or materials, usually metals.

continuous dimming

Control of a light source's intensity to practically any value within a given operating range.

continuously variable signal

A signal that communicates data that can have a theoretically unlimited number of possible values between two end points. Examples include voltage, temperature, and illuminance.

contrast

Also known as luminance contrast, it is the relationship between the luminances of an object and its immediate background.

correlated color temperature (CCT)

A specification for white light sources used to describe the dominant color tone along the dimension from warm (yellows and reds) to cool (blue). Lamps with a CCT rating below 3200 K are usually considered warm sources, whereas those with a CCT above 4000 K usually considered cool in appearance. Temperatures in between are considered neutral in appearance. Technically, CCT extends the practice of using temperature, in kelvins (K), for specifying the spectrum of light sources other than blackbody radiators. Incandescent lamps and daylight closely approximate the spectra of black body radiators at different temperatures and can be designated by the corresponding temperature of a blackbody radiator. The spectra of fluorescent and LED sources, however, differ substantially from black body radiators yet they can have a color appearance similar to a blackbody radiator of a particular temperature as given by CCT.

cutoff classification

The classification system of the Illuminating Engineering Society of North America (IESNA) that describes the light distribution of an outdoor luminaire. Cutoff classifications define the luminous intensity limits in two illumination zones that occur within the range of 80° to 180° above nadir. North America (IESNA) that describes the light distribution of an outdoor luminaire. Cutoff classifications define the luminous intensity limits in two illumination zones that occur within the range of 80° to 180° above nadir.

cutoff luminaire

IESNA classification that describes a luminaire having a light distribution in which the candela per 1000 lamp lumens does not numerically exceed 25 (2.5%) at or above an angle of 90° above nadir, and 100 (10%) at or above a vertical angle of 80° above nadir. This applies to all lateral angles around the luminaire.

degree of polarization

A measure of the amount of light polarization ranging from 0 to 100 percent.

dichroic coating (dichroic filter)

A multi-layer coating that transmits certain wavelengths and reflects those not transmitted.

diffuser material

Diffusers scatter the light from a luminaire in all directions. Most diffusers in commodity residential-grade luminaires are made of plastic, usually acrylic or polycarbonate. Other materials include glass and alabaster.

direct digital control (DDC)

The technology used by the components of a distributed control system. Direct digital control modules exchange digitally encoded signals with each other, indicating the status of devices connected to the network and executing commands when appropriate. Each module contains a programmable microprocessor, hardware for at least one type of network connection, and some means of detecting or changing a device's status.

direct luminaire

A luminaire that emits light in the general direction of the task to be illuminated. The term usually refers to luminaires that emit light in a downward direction.

disability glare

A type of glare that causes a loss of visibility from stray light being scattered within the eye.

discomfort glare

The sensation of annoyance or even pain induced by overly bright sources.

distributed control system

A control system in which the computing hardware and software are contained in a network of control modules or multi-circuit control panels physically distributed throughout the facility.

driver

For light emitting diodes, a device that regulates the voltage and current powering the source.

dynamic outdoor lighting

Outdoor lighting that varies light level or other characteristics automatically and precisely in response to factors such as vacancy or the type of use of an outdoor location.

efficacy

The ratio of light output (in lumens) to input power (in watts), expressed as lumens per watt (LPW).

electromagnetic interference (EMI)

The interference of unwanted electromagnetic signals with desirable signals. Electromagnetic interference may be transmitted in two ways: radiated through space or conducted by wiring. The Federal Communications Commission (FCC) sets electromagnetic interference limits on fluorescent lighting systems in FCC Part 18.

electromagnetic wave

A wave composed of perpendicular electric and magnetic fields. The wave propagates in a direction perpendicular to both fields.

emergency options

Refers to options available when exit signs are operated on a non-utility power supply such as a generator, a central battery unit that operates several exit signs, or an individual rechargeable battery. Options include whether or not the exit sign increases the brightness of the light source if the utility-supplied power fails.

field of view

The area covered by an occupancy sensor, often reported (for wall-mounted sensors) as a horizontal field of view or (for ceiling-mounted sensors) as the solid angle of the cone-shaped coverage area.

filter

A device that allows currents at certain frequencies to pass while those at other frequencies are blocked. Filters reduce conducted electromagnetic waves by grounding the current or by increasing the impedance to a specific frequency.

fixture

A complete lighting unit consisting of lamp or lamps and the parts designed to distribute the light, position and protect the lamp(s), and connect the lamp(s) to the power supply. (Also referred to as luminaire.)

footcandle (fc)

A measure of illuminance in lumens per square foot. One footcandle equals 10.76 lux, although for convenience 10 lux commonly is used as the equivalent.

full cutoff luminaire

IESNA classification that describes a luminaire having a light distribution in which zero candela intensity occurs at or above an angle of 90° above nadir. Additionally, the candela per 1000 lamp lumens does not numerically exceed 100 (10%) at or above a vertical angle of 80° above nadir. This applies to all lateral angles around the luminaire.

full-spectrum color index (FSCI)

A mathematical transformation of full-spectrum index into a zero to 100 scale, where the resulting values are directly comparable to color rendering index. An equal energy spectrum is defined as having an FSCI value of 100, a “standard warm white” fluorescent lamp has an FSCI value of 50, and a monochromatic light source (e.g., low pressure sodium) has an FSCI value of 0.

full-spectrum index (FSI)

A mathematical measure of how much a light source's spectrum deviates from an equal energy spectrum, based on the slope of its cumulative spectrum.

fully shielded luminaire

A luminaire that emits no direct upright, but which has no limitation on the intensity in the region between 80° and 90°.

glare

The sensation produced by luminances within the visual field that are sufficiently greater than the luminance to which the eyes are adapted, which causes annoyance, discomfort, or loss in visual performance and visibility.

glow current

The flow of electrons away from a rapid-start lamp's electrodes during preheating. The higher the glow current, the faster the electrodes' emissive coating degrades, increasing lamp-end darkening and reducing lamp life.

grid

The combination of electric power plants and transmission lines operated by an electric utility.

grounded

A circuit or metal object that is connected to the earth at one or more points. Done mostly for safety, grounding also reduces electromagnetic waves.

heat sinking

Adding a material, usually metal, adjacent to an object in order to cool it through conduction.

hue

The attribute of a light source or illuminated object that determines whether it is red, yellow, green, blue, or the like.

illuminance

The density of luminous flux incident upon a surface. Illuminance is measured in footcandles (lumens/square foot) or lux (lumens/square meter). One footcandle equals 10.76 lux.

impedance

A measure of the total opposition to current flow in an alternating current circuit. The unit of impedance is the ohm Ω .

incident angle

The angle between a ray of light reaching a surface and a line normal (perpendicular) to that surface.

indirect lighting

Light arriving at a surface after reflecting from one or more surfaces (usually walls and/or ceilings) that are not part of the luminaire.

infrared radiation

Any radiant energy within the wavelength range of 770 to 106 nanometers is considered infrared energy. (1 nanometer = 1 billionth of a meter, or 1×10^{-9} m).

initial light output

A lamp's light output, in lumens, after 100 hours of seasoning.

interoperability

The ability to communicate such information as temperature, illuminance levels, status of security devices, and occupancy among building systems and their controls.

inverter

Also known as "power inverter." A device used to convert direct current (dc) electricity into alternating (ac) current.

isotemperature

A set of coordinates within which all points have the same temperature. In a color space diagram, isotemperature lines represent lights with identical correlated color temperatures.

junction temperature

For light emitting diodes, the temperature of the light-emitting portion of the device (see PN junction), which is inversely correlated with its light output.

Kelvin

Color temperature is measured in degrees Kelvin, which indicate the hue of a specific type of light source. Higher temperatures indicate whiter, "cooler" colors, while lower temperatures indicate yellower, "warmer" colors.

light loss

The reduced light output caused by a circuit-level power reducer expressed as a percentage of the light output without the circuit-level power reducer. (Full system output minus reduced output with a lighting-circuit power reducer divided by the full system output times 100.)

light pollution

An unwanted consequence of outdoor lighting that includes such effects as sky glow, light trespass, and glare.

light power density (LPD)

Sometimes referred to as power density. A measurement of the ratio of light output in an area and the electric power used to produce that light. LPD is determined by dividing the total light output by the total wattage consumed and is measured in lumens per watt.

light trespass

A undesirable condition in which exterior light is cast where it is not wanted.

light-emitting diode (LED)

A solid-state electronic device formed by a junction of P- and N-type semiconductor material that emits light when electric current passes through it. LED commonly refers to either the semiconductor by itself, i.e. the chip, or the entire lamp package including the chip, electrical leads, optics and encasement.

line voltage

The voltage supplied by the electric power infrastructure, typically 110-120 Vac at 60 Hz for homes in North America.

lumen (lm)

A unit measurement of the rate at which a lamp produces light. A lamp's light output rating expresses the total amount of light emitted in all directions per unit time. Ratings of initial light output provided by manufacturers express the total light output after 100 hours of operation.

lumen depreciation

The decrease in lumen output that occurs as a lamp is operated, until failure. Also referred to as lamp lumen depreciation (LLD).

lumen maintenance

The ability of a lamp to retain its light output over time. Greater lumen maintenance means a lamp will remain brighter longer. The opposite of lumen maintenance is lumen depreciation, which represents the reduction of lumen output over time. Lamp lumen depreciation factor (LLD) is commonly used as a multiplier to the initial lumen rating in illuminance calculations to compensate for the lumen depreciation. The LLD factor is a dimensionless value between 0 and 1.

luminaire

A complete lighting unit consisting of a lamp or lamps and the parts designed to distribute the light, to position and protect the lamp(s), and to connect the lamp(s) to the power supply. (Also referred to as fixture.)

luminaire efficacy

The ratio of the measured light output of a luminaire to its active power, expressed in lumens per watt (LPW).

luminaire efficiency

The ratio, expressed as a percentage, of the light output of a luminaire to the light output of the luminaire's lamp(s). Luminaire efficiency accounts for the optical and thermal effects that occur within the luminaire under standard test conditions.

luminance

The photometric quantity most closely associated with the perception of brightness, measured in units of luminous intensity (candelas) per unit area (square feet or square meter).

luminance contrast

Luminance contrast quantifies the relative brightness of an object against its background. It can range from zero and one. The closer the luminance contrast is to one, the greater the relative brightness of the object against its background.

luminous flux

Luminous radiant power, measured in lumens. The overall light output of a lamp or luminaire.

luminous intensity

The luminous flux on a small surface centered on and normal to the direction divided by the solid angle (in steradians) that the surface subtends at the source. Luminous intensity can be expressed in candelas or in lumens per steradian.

lux (lx)

A measure of illuminance in lumens per square meter. One lux equals 0.093 footcandle.

MacAdam ellipse

Researcher David L. MacAdam showed that a just noticeable difference (JD) in the colors of two lights placed side-by-side was about three times the standard deviation associated with making color matches between a reference light and a test light (MacAdam 1942, Wyszecki and Stiles 1982). These JNDs form an elliptical pattern of “constant discriminability” in a chromaticity space, centered on the chromaticity of a reference light, known as MacAdam ellipse.

mean light output

Light output typically evaluated at 40% of rated lamp life. In combination with initial light output, mean light output may be used to estimate lamp lumen depreciation.

metamers

Lights of the same color but of different spectral power distribution.

nadir

In the lighting discipline, nadir is the angle pointing directly downward from the luminaire, or 0°. Nadir is opposite the zenith.

noncutoff luminaire

IESNA classification that describes a luminaire light distribution in which there is no candela limitation in the zone above maximum candela. (See also cutoff classification and cutoff angle.)

phase displacement

The extent to which voltage and current waveforms are out of synchronous phase with one another. Current lags or leads voltage, depending on whether the current waveform crosses a reference point after or before the voltage waveform, respectively. Phase displacement can be expressed as a unit of time, as a fraction of the period, or as an angle in degrees with one period corresponding to 360 degrees. When voltage and current are synchronized, phase displacement is zero.

phosphors

Materials used in a light source to produce or modify its spectral emission distribution. In fluorescent and high intensity discharge lamps, the phosphors fluoresce (emit visible light) when excited by ultraviolet radiation produced by mercury vapor inside the lamp when energized by an electric arc. In a light emitting diode, phosphors convert short-wavelength light or ultraviolet radiation produced by a semiconductor die into longer-wavelength light, usually with the goal of producing white illumination.

photon

A small bundle or quantum of electromagnetic energy, including light.

photopic

Vision mediated essentially or exclusively by the cones. It is generally associated with adaptation to a luminance of at least 3.4 cd/m².

photosensor

A device used to integrate an electric lighting system with a daylighting system so lights operate only when daylighting is insufficient.

photovoltaic (PV)

Photovoltaic (PV) cells produce electric current from light energy (photons). PV cells are joined to make PV panels.

PN junction

For light emitting diodes, the portion of the device where positive and negative charges combine to produce light.

polarized light

Light whose vibrations are oriented in (or around, for partially polarized light) a specific plane.

power

The power used by a device to produce useful work (also called input power or active power). In lighting, it is the system input power for a lamp and ballast or driver combination. Power is typically reported in the SI units of watts.

power line carrier (PLC)

A system that transmits high-frequency (50 to 500 kHz) analog or digital signals via the power lines of a building. These signals control devices such as luminaires or contain voice transmissions such as intercom messages. Some commercial and residential energy management systems also use power line carrier systems.

power quality

The degree to which current and voltage wave forms conform to a sinusoidal shape and are in synchronous phase with each other. Poor power quality results when the wave forms are distorted and/or out of phase and can interfere with data communications, cause inefficient operation or failure of other electrical equipment on the same supply line, and result in excessive current in electrical distribution lines.

prismatic lens

An optical component of a luminaire that is used to distribute the emitted light. It is usually a sheet of plastic with a pattern of pyramid-shaped refracting prisms on one side. Most ceiling-mounted luminaires in commercial buildings use prismatic lenses.

rated lumen

Also referred to as rated light output from lamp in lumens. Lumen refers to a unit measurement of the rate at which a lamp produces light. A lamp's light output rating expresses the total amount of light emitted in all directions per unit time. Manufacturers rate their lamps' initial light output after 100 hours of operation.

RE70

Designation referring to lamps that use rare-earth phosphors and have color-rendering index values of 70-79.

RE80

Designation referring to lamps that use rare-earth phosphors and have color-rendering index values of 80-89.

RE80 HLO, LL

An RE80 lamp with additional enhancements of high light output (HLO) and/or long life (LL).

RE90

Designation referring to lamps that use rare-earth phosphors and have color-rendering index values equal to or greater than 90.

relative system efficacy

The ratio of relative light output (RLO) to system active power. For each lamp type, relative system efficacy is normalized to the highest value at the maximum light output level, which is assigned a relative system efficacy value of 100%.

rms current

Root-mean-square current, a value that quantifies the magnitude of a current that varies with time (as in ac circuits). Rms current is calculated as the square root of the squared values of current over one complete cycle. Rms current delivers the same power to a resistive load as an equivalent steady dc current.

root-mean-square (rms)

The effective average value of a periodic quantity such as an alternating current or voltage wave, calculated by averaging the squared values of the amplitude over one period and taking the square root of that average.

semiconductor

A material whose electrical conductivity is between that of a conductor and an insulator; the conductivity of most semiconductors is temperature dependent.

semicutoff luminaire

IESNA classification that describes a luminaire light distribution in which the candela per 1000 lamp lumens does not numerically exceed 50 (5%) at or above an angle of 90° above nadir, and 200 (20%) at or above a vertical angle of 80° above nadir. This applies to all lateral angles around the luminaire.

specular reflection

Light incident on a surface that is redirected at the specular angle. Glossy or shiny surfaces exhibit a high degree of specular reflection.

steradian (sr)

A unit of measure equal to the solid angle subtended at the center of a sphere by an area on the surface of the sphere equal to the square of the sphere radius.

system efficacy

Also referred to as relative system efficacy, system efficacy is a measurement of a system's ability to convert electricity into light. Measured in lumens per watt (LPW), system efficacy is the ratio of the light output (in lumens) to the active power (in watts).

tri-level switching

Control of light source intensity at three discrete levels in addition to off.

tri-phosphor

A mixture of three phosphors to convert ultraviolet radiation to visible light in fluorescent lamps; each of the phosphors emits light that is blue, green or red in appearance with the combination producing white light.

uniformity

The degree of variation of illuminance over a given plane. Greater uniformity means less variation of illuminance. The uniformity ratio of illuminance is a measure of that variation expressed as either the ratio of the minimum to the maximum illuminance or the ratio of the minimum to the average illuminance.

visual performance

The quantitative assessment of the performance of a visual task, taking into consideration speed and accuracy.

voltage drop

The difference between the voltages at the transmitting and receiving ends of a feeder, main, or service.

voltage regulation

The change in output voltage that occurs when the load (at a specified power factor) is reduced from rated value to zero, with the primary impressed terminal voltage maintained constant.

wavelength

The distance between two corresponding points of a given wave. Wavelengths of light are measured in nanometers (1 nanometer = 1 billionth of a meter, or 1 X 10⁻⁹ m)

Index

0 – 9

Product	Page	Brand
241-C-XX	114	Hubbell Outdoor Lighting
2DM	37	Prescolite
309	112	Hubbell Outdoor Lighting
4024C	114	Hubbell Outdoor Lighting
4040	114	Hubbell Outdoor Lighting
4041	114	Hubbell Outdoor Lighting
4090	114	Hubbell Outdoor Lighting
80033249902	159	Spaulding
80033259902	159	Spaulding
80036599903	159	Spaulding
93047LED	57	Prescolite
93047LEDR	57	Prescolite

A – Z

Product	Page	Brand
A2LED	30	Prescolite
AE171	174	Kim Lighting
AE172	174	Kim Lighting
AE173	174	Kim Lighting
AE174	174	Kim Lighting
AE175	174	Kim Lighting
AE17L	174	Kim Lighting
AE17R	174	Kim Lighting
AE211	174	Kim Lighting
AE212	174	Kim Lighting
AE213	174	Kim Lighting
AE214	174	Kim Lighting
AE215	174	Kim Lighting
AE21L	174	Kim Lighting
AE21R	174	Kim Lighting
AKT6LED	58	Prescolite
AKTSLED	59	Prescolite
AL-D	238	Beacon
AL-U	238	Beacon
ALF/ALFW	111	Hubbell Outdoor Lighting
ALT1P35	168	Kim Lighting
ALT1P70	168	Kim Lighting

ALT2P35	168	Kim Lighting
ALT2P70	168	Kim Lighting
ALT3P35	168	Kim Lighting
ALT3P70	168	Kim Lighting
ALT4P35	168	Kim Lighting
ALT4P70	168	Kim Lighting
ALT5P35	168	Kim Lighting
ALT5P70	168	Kim Lighting
ALTLP35	168	Kim Lighting
ALTLP70	168	Kim Lighting
ALTRP35	168	Kim Lighting
ALTRP70	168	Kim Lighting
APPLICATION PHOTOS	21	Alera
AR2	170	Kim Lighting
AR3	170	Kim Lighting
AR4	170	Kim Lighting
AR5	170	Kim Lighting
ARL	170	Kim Lighting
ARM-CL-K-S-XX	157	Spaulding
ARM-CL-K-TA-XX	157	Spaulding
ARM-CL-TK-TA-XX	157	Spaulding
ARMS	267	Beacon
Arms/Accessories	227	AAL
ARR	170	Kim Lighting
ASL10	221	AAL
ASL7	221	AAL
AUR2	243	Beacon
AUR3	243	Beacon
BC	151	Spaulding
BE171	174	Kim Lighting
BE172	174	Kim Lighting
BE173	174	Kim Lighting
BE174	174	Kim Lighting
BE175	174	Kim Lighting
BE17L	174	Kim Lighting
BE17R	174	Kim Lighting
BE211	174	Kim Lighting
BE212	174	Kim Lighting
BE213	174	Kim Lighting
BE214	174	Kim Lighting

BE215.....	174	Kim Lighting	CC/CCS17A4.....	177	Kim Lighting
BE21L.....	174	Kim Lighting	CC/CCS17A5.....	177	Kim Lighting
BE21R.....	174	Kim Lighting	CC/CCS17AL.....	177	Kim Lighting
BN176.....	203	Kim Lighting	CC/CCS17AR.....	177	Kim Lighting
BN189.....	202	Kim Lighting	CC/CCS17P1.....	176	Kim Lighting
BN192.....	202	Kim Lighting	CC/CCS17P2.....	176	Kim Lighting
BN197.....	202	Kim Lighting	CC/CCS17P3.....	176	Kim Lighting
BN276.....	203	Kim Lighting	CC/CCS17P4.....	176	Kim Lighting
BNB1.....	188	Kim Lighting	CC/CCS17P5.....	176	Kim Lighting
BNB2.....	188	Kim Lighting	CC/CCS17PL.....	176	Kim Lighting
BNB3.....	188	Kim Lighting	CC/CCS17PR.....	176	Kim Lighting
BNB4.....	188	Kim Lighting	CC/CCS21A1.....	177	Kim Lighting
BNB5.....	188	Kim Lighting	CC/CCS21A2.....	177	Kim Lighting
BNB6.....	188	Kim Lighting	CC/CCS21A3.....	177	Kim Lighting
BNM.....	172	Kim Lighting	CC/CCS21A4.....	177	Kim Lighting
BNS1H1.....	172	Kim Lighting	CC/CCS21A5.....	177	Kim Lighting
BNS1H2.....	172	Kim Lighting	CC/CCS21AL.....	177	Kim Lighting
BNS1H3.....	172	Kim Lighting	CC/CCS21AR.....	177	Kim Lighting
BNS1H4.....	172	Kim Lighting	CC/CCS21P1.....	176	Kim Lighting
BNS1H5.....	172	Kim Lighting	CC/CCS21P2.....	176	Kim Lighting
BOLR/BOLS.....	156	Spaulding	CC/CCS21P3.....	176	Kim Lighting
BOS40.....	257	Beacon	CC/CCS21P4.....	176	Kim Lighting
BRLD Solar.....	135	Hubbell Outdoor Lighting	CC/CCS21P5.....	176	Kim Lighting
BRLU.....	124	Hubbell Outdoor Lighting	CC/CCS21PL.....	176	Kim Lighting
BRP42.....	264	Beacon	CC/CCS21PR.....	176	Kim Lighting
BX4QL-120.....	45	Prescolite	CCEDG.....	285	Compass
C700F3.....	201	Kim Lighting	CCEDGE.....	285	Compass
C700S3.....	201	Kim Lighting	CCEDR.....	285	Compass
CAP-21.....	236	Beacon	CCEDRE.....	285	Compass
CAP-26.....	237	Beacon	CCESG.....	285	Compass
CB-XX.....	132-133	Hubbell Outdoor Lighting	CCESGE.....	285	Compass
CB12.....	225	AAL	CCESR.....	285	Compass
CB16.....	225	AAL	CCESRE.....	285	Compass
CB18.....	225	AAL	CCG.....	287	Compass
CB24.....	191	Kim Lighting	CCGRC.....	287	Compass
CB32.....	191	Kim Lighting	CCR.....	287	Compass
CB9.....	225	AAL	CCRRC.....	287	Compass
CC/CCS17A1.....	177	Kim Lighting	CDT.....	239	Beacon
CC/CCS17A2.....	177	Kim Lighting	CEG.....	286	Compass
CC/CCS17A3.....	177	Kim Lighting	CEGRC.....	286	Compass

Index

CELR1GNE	283	Compass
CELR1RNE	283	Compass
CELR2GNE	283	Compass
CELR2RNE	283	Compass
CELS1GNE	283	Compass
CELS1RNE	283	Compass
CELS2GNE	283	Compass
CELS2RNE	283	Compass
CER	286	Compass
CERRC	286	Compass
CEWDGE	284	Compass
CEWDRE	284	Compass
CEWSGE	284	Compass
CEWSRE	284	Compass
CFL1	183	Kim Lighting
CIRD	282	Compass
CIRS	282	Compass
CL1	150-151	Spaulding
CL1S	148-149	Spaulding
CL1S-RPA3-XX	157	Spaulding
CL1S-RPA4-XX	157	Spaulding
CLO	244	Beacon
CO-XX	132-133	Hubbell Outdoor Lighting
CORD	281	Compass
CORS	281	Compass
CR-RPA3-XX	157	Spaulding
CR-RPA4-XX	157	Spaulding
CR-RPA5-XX	157	Spaulding
CR-RPA6-XX	157	Spaulding
CR1D Solar	138	Hubbell Outdoor Lighting
CRD-RPA2-XX	157	Spaulding
CRD-RPA3-XX	157	Spaulding
CRD-RPA4-XX	157	Spaulding
CRD-RPA5-XX	157	Spaulding
CRD-RPA6-XX	157	Spaulding
CRZ	235	Beacon
CU2	280	Compass
CU2RC	280	Compass
CU2WB	279	Compass
CU2WG	279	Compass
CX	79, 80	Hubbell Building Automation
CXR	79, 81	Hubbell Building Automation
D2LED	29	Prescolite
DBXQL	47	Prescolite
DDL	131	Hubbell Outdoor Lighting
DM	37	Prescolite
DOK	99	Hubbell Industrial Lighting
EDR	242	Beacon
EL-XX	132-133	Hubbell Outdoor Lighting
EL171	203	Kim Lighting
EL188	202	Kim Lighting
EL190	202	Kim Lighting
EL195	202	Kim Lighting
EL218F3	200	Kim Lighting
EL218F5	200	Kim Lighting
EL218S3	200	Kim Lighting
EL218S5	200	Kim Lighting
EL271	203	Kim Lighting
EL700F3	201	Kim Lighting
EL700S3	201	Kim Lighting
EL807	204	Kim Lighting
EL817	204	Kim Lighting
ES	220	AAL
ET1	179	Kim Lighting
ET2	179	Kim Lighting
ET3	179	Kim Lighting
ET4	179	Kim Lighting
ET5	179	Kim Lighting
ETL	179	Kim Lighting
ETR	179	Kim Lighting
EV	269	Dual-Lite
EV2	269	Dual-Lite
EV2D	269	Dual-Lite
EV2DB	269	Dual-Lite
EV2DI	269	Dual-Lite
EV2DI-24K	269	Dual-Lite
EV4D	269	Dual-Lite
EV4DB	269	Dual-Lite
EV4DI	269	Dual-Lite
EVC	270	Dual-Lite

EVCUGW	270	Dual-Lite	GEM1	187	Kim Lighting
EVCUGWD4	270	Dual-Lite	GEM1C	187	Kim Lighting
EVCUGWDI	270	Dual-Lite	GEN-C	234	Beacon
EVCURBD	270	Dual-Lite	GEN-F	234	Beacon
EVCURBD4	270	Dual-Lite	GN-XX	132-133	Hubbell Outdoor Lighting
EVCURW	270	Dual-Lite	H60BL	202	Kim Lighting
EVCURWD	270	Dual-Lite	H60DB	202	Kim Lighting
EVCURWD4	270	Dual-Lite	H60GR	202	Kim Lighting
EVCURWD4-0	270	Dual-Lite	H60NB	202	Kim Lighting
EVCURWD4I	270	Dual-Lite	H60VG	202	Kim Lighting
EVCURWDI	270	Dual-Lite	H70BL	202	Kim Lighting
EVE	271	Dual-Lite	H70DB	202	Kim Lighting
EVEUGBE	271	Dual-Lite	H70GR	202	Kim Lighting
EVEUGW	271	Dual-Lite	H70NB	202	Kim Lighting
EVEUGWE	271	Dual-Lite	H70VG	202	Kim Lighting
EVEUGWEI	271	Dual-Lite	H80BL	202	Kim Lighting
EVEURB	271	Dual-Lite	H80DB	202	Kim Lighting
EVEURBE	271	Dual-Lite	H80GR	202	Kim Lighting
EVEURW	271	Dual-Lite	H80NB	202	Kim Lighting
EVEURW-2C	271	Dual-Lite	H80VG	202	Kim Lighting
EVEURWE	271	Dual-Lite	HBL	91	Hubbell Industrial Lighting
EVEURWEI	271	Dual-Lite	HBLH	92	Hubbell Industrial Lighting
EVO	272	Dual-Lite	HBLHA	93	Hubbell Industrial Lighting
EVODB	272	Dual-Lite	HDM	37	Prescolite
EVODW	272	Dual-Lite	HLEML	97	Hubbell Industrial Lighting
EVOSB	272	Dual-Lite	HVS	124	Hubbell Outdoor Lighting
EVOSW	272	Dual-Lite	IBX4QL-120	45	Prescolite
EXEC RT21/RT25	161	Sterner	INDA	214	AAL
EXPD	161	Sterner	INDC	214	AAL
FCB5	223	AAL	INDF	214	AAL
FGL	212	AAL	Kim Solar	181	Kim Lighting
FGS	212	AAL	KLV171	203	Kim Lighting
FH	218	AAL	KLV188	202	Kim Lighting
FL-1	240	Beacon	KLV189	202	Kim Lighting
FL-XX	132-133	Hubbell Outdoor Lighting	KLV190	202	Kim Lighting
FM	219	AAL	KLV192	202	Kim Lighting
FML	107	Hubbell Outdoor Lighting	KLV195	202	Kim Lighting
FN1/FN2	155	Spaulding	KLV197	202	Kim Lighting
FSL	106	Hubbell Outdoor Lighting	KLV271	203	Kim Lighting
FT6QLIC	43	Prescolite	KLV276	203	Kim Lighting

Index

KLV361	199	Kim Lighting	LF6SQLED8	35	Prescolite
KLV366	199	Kim Lighting	LF8LED	33	Prescolite
KLV807	204	Kim Lighting	LF8LED5	33	Prescolite
KLV817	204	Kim Lighting	LF8LED7	33	Prescolite
KSL	94	Hubbell Industrial Lighting	LF8LED8	33	Prescolite
LAJ30	252	Beacon	LFS	110	Hubbell Outdoor Lighting
LAW	9	Columbia	LFS Solar	136	Hubbell Outdoor Lighting
LB4LEDA	44	Prescolite	LG	277	Dual-Lite
LB6LEDA10L	46	Prescolite	LG1R	277	Dual-Lite
LB6LEDA8L	46	Prescolite	LG1S	277	Dual-Lite
LBC6	55	Prescolite	LG1T	277	Dual-Lite
LC5	262	Beacon	LG2S	277	Dual-Lite
LC6LED	41	Prescolite	LG2SI	277	Dual-Lite
LCC	118	Hubbell Outdoor Lighting	LJT	8	Columbia
LCC Solar	135	Hubbell Outdoor Lighting	LLHP	15	Columbia
LCS	13	Columbia	LLHV	14	Columbia
LD4	53	Prescolite	LLT	7	Columbia
LD6LED	53	Prescolite	LMC	119	Hubbell Outdoor Lighting
LE	275	Dual-Lite	LMS100	163	Devine
LE1	189	Kim Lighting	LMS400	163	Devine
LE2	189	Kim Lighting	LNC	116	Hubbell Outdoor Lighting
LE3	189	Kim Lighting	LNC2	117	Hubbell Outdoor Lighting
LEB19	175	Kim Lighting	LON	265	Beacon
LEB26	175	Kim Lighting	LPT	10	Columbia
LEPC	4	Columbia	LR-30	114	Hubbell Outdoor Lighting
LET19	175	Kim Lighting	LRK-2V	260	Beacon
LET26	175	Kim Lighting	LRK-3D	261	Beacon
LF4LED	31	Prescolite	LRO	11	Columbia
LF4LED5	31	Prescolite	LSER	5	Columbia
LF4LED7	31	Prescolite	LTRE	6	Columbia
LF4SQLED	34	Prescolite	LTV81DMF	198	Kim Lighting
LF4SQLED5	34	Prescolite	LTV81DMH	198	Kim Lighting
LF4SQLED7	34	Prescolite	LTV81EB/NF	197	Kim Lighting
LF6LED	32	Prescolite	LTV81EB/SP	197	Kim Lighting
LF6LED5	32	Prescolite	LTV81EB/WW	197	Kim Lighting
LF6LED7	32	Prescolite	LTV81FF/NF	193	Kim Lighting
LF6LED8	32	Prescolite	LTV81FF/SP	193	Kim Lighting
LF6SQLED	35	Prescolite	LTV81FF/WW	193	Kim Lighting
LF6SQLED5	35	Prescolite	LTV81HS/NF	196	Kim Lighting
LF6SQLED7	35	Prescolite	LTV81HS/SP	196	Kim Lighting

LTV81HS/WW	196	Kim Lighting	LTV83SS/WW	194	Kim Lighting
LTV81RG/NF	195	Kim Lighting	LUN	96	Hubbell Industrial Lighting
LTV81RG/SP	195	Kim Lighting	LVT56	132-133	Hubbell Outdoor Lighting
LTV81RG/WW	195	Kim Lighting	LWC	12	Columbia
LTV81SS/NF	194	Kim Lighting	LXEM	14	Columbia
LTV81SS/SP	194	Kim Lighting	MAF-CL-XX	157	Spaulding
LTV81SS/WW	194	Kim Lighting	MAG32	259	Beacon
LTV82DF	198	Kim Lighting	MAR-21	236	Beacon
LTV82DH	198	Kim Lighting	MRDS-21	236	Beacon
LTV82EB/NF	197	Kim Lighting	MD8LED	36	Prescolite
LTV82EB/SP	197	Kim Lighting	ME	220	AAL
LTV82EB/WW	197	Kim Lighting	MHS	108	Hubbell Outdoor Lighting
LTV82FF/NF	193	Kim Lighting	MICRO6	20	Alera
LTV82FF/SP	193	Kim Lighting	MLED	109	Hubbell Outdoor Lighting
LTV82FF/WW	193	Kim Lighting	MRDS-21	236	Beacon
LTV82HS/NF	196	Kim Lighting	MRDS-26	237	Beacon
LTV82HS/SP	196	Kim Lighting	MRSS-26	237	Beacon
LTV82HS/WW	196	Kim Lighting	MS-XX	132-133	Hubbell Outdoor Lighting
LTV82RG/NF	195	Kim Lighting	MTB-D	263	Beacon
LTV82RG/SP	195	Kim Lighting	MTB-F	263	Beacon
LTV82RG/WW	195	Kim Lighting	MX21A1	178	Kim Lighting
LTV82SS/NF	194	Kim Lighting	MX21A2	178	Kim Lighting
LTV82SS/SP	194	Kim Lighting	MX21A3	178	Kim Lighting
LTV82SS/WW	194	Kim Lighting	MX21A4	178	Kim Lighting
LTV83DMF	198	Kim Lighting	MX21A5	178	Kim Lighting
LTV83DMH	198	Kim Lighting	MX21AL	178	Kim Lighting
LTV83EB/NF	197	Kim Lighting	MX21AR	178	Kim Lighting
LTV83EB/SP	197	Kim Lighting	MX21P1	178	Kim Lighting
LTV83EB/WW	197	Kim Lighting	MX21P2	178	Kim Lighting
LTV83FF/NF	193	Kim Lighting	MX21P3	178	Kim Lighting
LTV83FF/SP	193	Kim Lighting	MX21P4	178	Kim Lighting
LTV83FF/WW	193	Kim Lighting	MX21P5	178	Kim Lighting
LTV83HS/NF	196	Kim Lighting	MX21PL	178	Kim Lighting
LTV83HS/SP	196	Kim Lighting	MX21PR	178	Kim Lighting
LTV83HS/WW	196	Kim Lighting	NRG® 4000	125	Hubbell Outdoor Lighting
LTV83RG/NF	195	Kim Lighting	NRG®312	122	Hubbell Outdoor Lighting
LTV83RG/SP	195	Kim Lighting	ON	222	AAL
LTV83RG/WW	195	Kim Lighting	OS	222	AAL
LTV83SS/NF	194	Kim Lighting	PBT-1	113	Hubbell Outdoor Lighting
LTV83SS/SP	194	Kim Lighting	PBT-234	113	Hubbell Outdoor Lighting

Index

PG	274	Dual-Lite
PGB	274	Dual-Lite
PGB-HTR	274	Dual-Lite
PGL71N	182	Kim Lighting
PGL71W	182	Kim Lighting
PGL74N	182	Kim Lighting
PGL74W	182	Kim Lighting
PGM3	123	Hubbell Outdoor Lighting
PGN	273	Dual-Lite
PGNB	273	Dual-Lite
PGNP	273	Dual-Lite
PGNW	273	Dual-Lite
PGNZ	273	Dual-Lite
PGP	274	Dual-Lite
PGP-HTR	274	Dual-Lite
PGW	274	Dual-Lite
PGW-HTR	274	Dual-Lite
PGZ	274	Dual-Lite
PGZ-HTR	274	Dual-Lite
PIE31	258	Beacon
PKWB	208	AAL
PKWM	208	AAL
PKWS	208	AAL
Poles	226	AAL
POLES	266	Beacon
PRMD	211	AAL
PRMN	211	AAL
PRMS	211	AAL
PROB	210	AAL
PROL	209	AAL
PROS	210	AAL
PROV	209	AAL
PRR	113	Hubbell Outdoor Lighting
PRSC	210	AAL
PSC	113	Hubbell Outdoor Lighting
PSC	157	Spaulding
PT	152	Spaulding
PTA-1	113	Hubbell Outdoor Lighting
PTA-5	113	Hubbell Outdoor Lighting
PTA-8	113	Hubbell Outdoor Lighting
PTL-1	113	Hubbell Outdoor Lighting
PTL-1	157	Spaulding
PTL-5	113	Hubbell Outdoor Lighting
PTL-5	157	Spaulding
PTL-6	113	Hubbell Outdoor Lighting
PTL-6	157	Spaulding
PTL-8	113	Hubbell Outdoor Lighting
PTL-8	157	Spaulding
PTR	152	Spaulding
PVL3	123	Hubbell Outdoor Lighting
QSP	121	Hubbell Outdoor Lighting
QSPC	120	Hubbell Outdoor Lighting
RA171	173	Kim Lighting
RA172	173	Kim Lighting
RA173	173	Kim Lighting
RA174	173	Kim Lighting
RA175	173	Kim Lighting
RA17L	173	Kim Lighting
RA17R	173	Kim Lighting
RA251	173	Kim Lighting
RA252	173	Kim Lighting
RA253	173	Kim Lighting
RA254	173	Kim Lighting
RA255	173	Kim Lighting
RA25L	173	Kim Lighting
RA25R	173	Kim Lighting
RBC-45R-XX	159	Spaulding
RBC-45RL-XX	159	Spaulding
RBC-4R-XX	159	Spaulding
RBC-4RL-XX	159	Spaulding
RBC-5R-XX	159	Spaulding
RBC-5RL-XX	159	Spaulding
RBC-6R-XX	159	Spaulding
RBC-6RL-XX	159	Spaulding
RD-XX	132-133	Hubbell Outdoor Lighting
RDI	121	Hubbell Outdoor Lighting
RDIC	120	Hubbell Outdoor Lighting
RDPS6LED	54	Prescolite
RE-XX	132-133	Hubbell Outdoor Lighting
RETA-XX	157	Spaulding

RL LED	129	Hubbell Outdoor Lighting	SET1	179	Kim Lighting
RLC6LED	50	Prescolite	SET2	179	Kim Lighting
RLF6LED	49	Prescolite	SET3	179	Kim Lighting
RLF6LED5	49	Prescolite	SET4	179	Kim Lighting
RLF6LED7	49	Prescolite	SET5	179	Kim Lighting
RLF6LED8	49	Prescolite	SETA-XX	157	Spaulding
RLF8LED	49	Prescolite	SETI	246	Beacon
RLF8LED5	49	Prescolite	SETL	179	Kim Lighting
RLF8LED7	49	Prescolite	SETR	179	Kim Lighting
RLF8LED8	49	Prescolite	SL1	192	Kim Lighting
RM LED	128	Hubbell Outdoor Lighting	SL3	192	Kim Lighting
RMCT Solar	137	Hubbell Outdoor Lighting	SL5	192	Kim Lighting
RMN4QL-120	45	Prescolite	SLD	245	Beacon
RSS	158	Spaulding	SLLED1	56	Prescolite
RTA	158	Spaulding	SLLED2	56	Prescolite
RTS	158	Spaulding	SLLED3	56	Prescolite
RTS-2065-XX -Q45	159	Spaulding	SLVT	213	AAL
RTS-2570-XX -Q45	159	Spaulding	SP1	215	AAL
RTS-3080-XX -Q45	159	Spaulding	SP2	215	AAL
RTS-3585-XX -Q45	159	Spaulding	SPB	215	AAL
RTS-3990-XX -Q45	159	Spaulding	SR1005	39	Prescolite
SA-XX	132-133	Hubbell Outdoor Lighting	SR1010	39	Prescolite
SAR2	170	Kim Lighting	SR1015	39	Prescolite
SAR3	170	Kim Lighting	SR1020	39	Prescolite
SAR4	170	Kim Lighting	SR1025	39	Prescolite
SAR5	170	Kim Lighting	SR1030	39	Prescolite
SARL	170	Kim Lighting	SR1035	39	Prescolite
SARR	170	Kim Lighting	SR1040	39	Prescolite
SBC-3R-XX	159	Spaulding	SR1045	39	Prescolite
SBC-4-XX	159	Spaulding	SR1055	39	Prescolite
SBC-45R-XX	159	Spaulding	SR1060	39	Prescolite
SBC-4L-XX	159	Spaulding	SR1065	39	Prescolite
SBC-4R-XX	159	Spaulding	SR1070	39	Prescolite
SBC-5-XX	159	Spaulding	SR1085	39	Prescolite
SBC-5R-XX	159	Spaulding	SR1090	39	Prescolite
SBC-6-XX	159	Spaulding	SR6010	38	Prescolite
SBC-6R-XX	159	Spaulding	SR6030	38	Prescolite
SCP	126	Hubbell Outdoor Lighting	SR6045NF	38	Prescolite
SCP Controls Guide	127	Hubbell Outdoor Lighting	SR6055NF	38	Prescolite
SDPS6LED	54	Prescolite	SR6060	38	Prescolite

Index

SR6070	38	Prescolite
SR6075	38	Prescolite
SR6080NF	38	Prescolite
SR6090	38	Prescolite
SR6095	38	Prescolite
SR6100NF	38	Prescolite
SR6105	38	Prescolite
SR6110NF	38	Prescolite
SR6115NF	38	Prescolite
SR6120	38	Prescolite
SRS1H1	171	Kim Lighting
SRS1H2	171	Kim Lighting
SRS1H3	171	Kim Lighting
SRS1H4	171	Kim Lighting
SRS1H5	171	Kim Lighting
SRS1HL	171	Kim Lighting
SRS1HR	171	Kim Lighting
SS-XX	132-133	Hubbell Outdoor Lighting
SSA	158	Spaulding
SSB-21-M51	115	Hubbell Outdoor Lighting
SSB-31-M51	115	Hubbell Outdoor Lighting
SSB-41-M51	115	Hubbell Outdoor Lighting
SSB-43-M51	115	Hubbell Outdoor Lighting
SSS	158	Spaulding
STA	158	Spaulding
STL2	180	Kim Lighting
STL3	180	Kim Lighting
STL4	180	Kim Lighting
STL5	180	Kim Lighting
STLL	180	Kim Lighting
STLR	180	Kim Lighting
STS	158	Spaulding
STS2	180	Kim Lighting
STS3	180	Kim Lighting
STS4	180	Kim Lighting
STS5	180	Kim Lighting
STSL	180	Kim Lighting
STSR	180	Kim Lighting
SW1	185	Kim Lighting
SW3	185	Kim Lighting
T1	247	Beacon
T2	248	Beacon
T3	250	Beacon
T4	251	Beacon
T5	249	Beacon
TAB-15	159	Spaulding
TAB-17-M38	159	Spaulding
TAB-30-M38	159	Spaulding
TAB-36-M38	159	Spaulding
TAB-42-M38	159	Spaulding
TCB-1	114	Hubbell Outdoor Lighting
TCB-2	114	Hubbell Outdoor Lighting
TCB-3	114	Hubbell Outdoor Lighting
TETA-XX	157	Spaulding
THB-21	115	Hubbell Outdoor Lighting
THB-21-M53	115	Hubbell Outdoor Lighting
THB-31	115	Hubbell Outdoor Lighting
THB-32	115	Hubbell Outdoor Lighting
THB-41	115	Hubbell Outdoor Lighting
THB-43	115	Hubbell Outdoor Lighting
TIV37	255	Beacon
TL-XX	132-133	Hubbell Outdoor Lighting
TMR Solar	139	Hubbell Outdoor Lighting
TMR/TMS	154	Spaulding
TMS Solar	139	Hubbell Outdoor Lighting
TPLB-XX	157	Spaulding
TPR-2	114	Hubbell Outdoor Lighting
TPR-3	114	Hubbell Outdoor Lighting
TPR-4	114	Hubbell Outdoor Lighting
TRA30	256	Beacon
TRD	224	AAL
TRP	121	Hubbell Outdoor Lighting
TRPC	120	Hubbell Outdoor Lighting
TRV-D	241	Beacon
TRV-U	241	Beacon
TSQ	224	AAL
TWK-11	114	Hubbell Outdoor Lighting
UCB	217	AAL
UCL	216	AAL
UCM	216	AAL

UCS	217	AAL	WF32C	184	Kim Lighting
UFO-LED25	276	Dual-Lite	WF32H	184	Kim Lighting
V8LU15	98	Hubbell Industrial Lighting	WF33C	184	Kim Lighting
VA	153	Spaulding	WF33H	184	Kim Lighting
VBGG	130	Hubbell Outdoor Lighting	WIH-AP	68, 69	Hubbell Building Automation
VL	98	Hubbell Industrial Lighting	WIH-DS	68, 75	Hubbell Building Automation
VL15A	98	Hubbell Industrial Lighting	WIH-IM	68, 71	Hubbell Building Automation
VL15LG	98	Hubbell Industrial Lighting	WIH-OM	68, 70	Hubbell Building Automation
VP-L	233	Beacon	WIH-OS	68, 74	Hubbell Building Automation
VP-S	232	Beacon	WIH-SW	68, 73	Hubbell Building Automation
VRB1	190	Kim Lighting	WIN40	253	Beacon
VRB2	190	Kim Lighting	WP9L1P70	169	Kim Lighting
VRB3	190	Kim Lighting	WP9L2P70	169	Kim Lighting
VRB4	190	Kim Lighting	WP9L3P70	169	Kim Lighting
VSB1	190	Kim Lighting	WP9L4P70	169	Kim Lighting
VSB2	190	Kim Lighting	WP9LLP70	169	Kim Lighting
VWGG	130	Hubbell Outdoor Lighting	WP9IP70	169	Kim Lighting
WAT44	254	Beacon	WP9LRP70	169	Kim Lighting
WB-CR-XX	157	Spaulding	WP9S1P70	169	Kim Lighting
WB-CR-XX	157	Spaulding	WP9S2P70	169	Kim Lighting
WD14-D2	186	Kim Lighting	WP9S3P70	169	Kim Lighting
WD14-D3	186	Kim Lighting	WP9S4P70	169	Kim Lighting
WD14-D4	186	Kim Lighting	WP9S5P70	169	Kim Lighting
WD14-U2	186	Kim Lighting	WP9SLP70	169	Kim Lighting
WD14-U3	186	Kim Lighting	WP9SRP70	169	Kim Lighting
WD14-U4	186	Kim Lighting	WSP	77	Hubbell Building Automation
WD18-D2	186	Kim Lighting	Z5-CM	83, 84	Hubbell Building Automation
WD18-D3	186	Kim Lighting	Z5-DS	83, 85	Hubbell Building Automation
WD18-D4	186	Kim Lighting	Z5-LODTR P	83, 86	Hubbell Building Automation
WD18-U2	186	Kim Lighting	Z5-OMNIDT2000RP	83, 86	Hubbell Building Automation
WD18-U3	186	Kim Lighting	Z5-SW-AVD	83, 87	Hubbell Building Automation
WD18-U4	186	Kim Lighting	Z5-SW-GA V	83	Hubbell Building Automation
WF20	184	Kim Lighting	Z5-SW-MC	83, 87	Hubbell Building Automation
WF21	184	Kim Lighting	Z5-SW-RCR1	83, 87	Hubbell Building Automation
WF22	184	Kim Lighting	Z5-SW-RCR2	83, 87	Hubbell Building Automation
WF23	184	Kim Lighting	Z5-SW-RCR3	83, 87	Hubbell Building Automation
WF30C	184	Kim Lighting	Z5-SW-RCR4	83, 87	Hubbell Building Automation
WF30H	184	Kim Lighting	Z5-SW-ST	83, 87	Hubbell Building Automation
WF31C	184	Kim Lighting	Z5-SW-WB	83, 87	Hubbell Building Automation
WF31H	184	Kim Lighting			

Your Retrofit Lighting & Controls Headquarters

Hubbell Lighting makes change easy with our comprehensive suite of createchange® tools and services available at HubbellLighting.com/solutions/retrofit/ that include audit tools, easy to use calculators to estimate energy savings and a wealth of additional information to support you and make your project a success.

Ready to get started? For personal assistance, contact your local Hubbell Lighting representative and we'll help guide you through improving your lighting system and creating change or email us at hlmarketing@hubbell-ltg.com.

 <p>Interior</p> <p>UP TO 60% ENERGY SAVINGS</p> <p>LJT LED Troffer</p>	 <p>Exterior</p> <p>UP TO 70% ENERGY SAVINGS</p> <p>Cimarron LED</p>	 <p>Controls</p> <p>UP TO 80% ENERGY SAVINGS</p> <p>wiSTAR</p>
---	--	--

• • • • • ●

createchange

RETROFIT LIGHTING & CONTROLS SOLUTIONS

HubbellLighting.com/solutions/retrofit/

Calculators

- Online Proposal Generator
- HVAC Impact Calculator
- Maintenance Calculator
- Productivity Calculator
- Financing Calculator

Reference Tools

- Audit Tools
- DLC Qualified Product Lookup
- Energy Star Lookup
- Utility Rebate Finder
- Input Watt Finder
- Compare-In-The-Air Program
- Cash Flow Positive Financing

Vertical Markets

- Warehouse/Manufacturing
- Commercial Buildings
- Automotive Dealerships



HUBBELL
Lighting



HUBBELL
Lighting

701 Millennium Blvd.
Greenville, SC 29607

HUBBELLLIGHTING.COM

[ALERA LIGHTING](#)

[ARCHITECTURAL AREA LIGHTING](#)

[BEACON PRODUCTS](#)

[COLUMBIA LIGHTING](#)

[COMPASS PRODUCTS](#)

[DEVINE LIGHTING](#)

[DUAL-LITE](#)

[HUBBELL BUILDING AUTOMATION](#)

[HUBBELL INDUSTRIAL LIGHTING](#)

[HUBBELL OUTDOOR LIGHTING](#)

[KIM LIGHTING](#)

[KURT VERSEN](#)

[PRESCOLITE](#)

[PROGRESS LIGHTING](#)

[SPAULDING](#)

[SPORTSLITER SOLUTIONS](#)

[STERNER LIGHTING](#)